



Draka

UC^{CONNECT}[®] – The LAN connectivity system

END-TO-END CABLING SOLUTIONS FOR NETWORKS TO LAST



A brand of the

Prysmian
Group

Prysmian Group - Linking the future



As the worldwide leader in the cable industry, Prysmian Group believes in the effective, efficient and sustainable supply of energy and information as a primary driver in the development of communities. With this in mind, we provide major global organisations in many industries with best-in-class cable solutions, based on state-of-the-art technology. Through two renowned commercial brands – Prysmian and Draka – based in almost 100 countries, we’re constantly close to our customers, enabling them to further develop the world’s energy and telecoms infrastructures, and achieve sustainable, profitable growth.

In our energy business, we design, produce, distribute and install cables and systems for the transmission and distribution of power at low, medium, high and extra-high voltage. In telecoms, the Group is a leading manufacturer of all types of copper and fibre cables, systems and accessories – covering voice, video and data transmission.

Drawing on over 130 years’ experience and continuously investing in R&D, we apply excellence, understanding and integrity to everything we do, meeting and exceeding the precise needs of our customers across all continents, at the same time shaping the evolution of our industry.

What links communications to communities?

Cable solutions to support the development of the world’s telecoms infrastructure. As the world’s largest producer of telecoms cables, supporting the infrastructures of many of the world’s leading telecoms operators, the Prysmian Group delivers optical fibre and copper cabling solutions that help link communications to communities around the globe. Covering voice, video and data transmission, we are world leader in the production of optical fibre, offering unique and fully owned technology. Our portfolio sets the benchmark in global innovation, and is the outcome of continuous multi-million Euro investment in R&D and production in more than 30 facilities worldwide.

Draka Universal Cabling system for Datacom networks

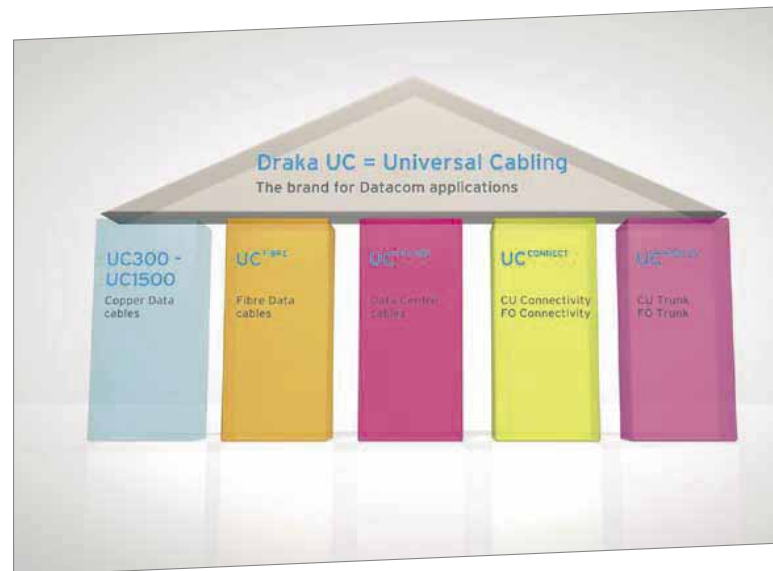
The range of Draka UC branded Universal Cables has been specifically designed for data transmission and combines high-capacity with a flexible cable concept that offers the best possible futureproofing for industrial, trade and service sector customers. Draka UC cables can be used in both standardized and customized networks.

Draka UC300 – UC1500

This comprehensive product range of twisted pair cable ranking from Cat.5e over Cat.6 to patented design for Cat.6_A up to multimedia cables has been tailored to a variety of applications and allows highest transmission rates.

Draka UC^{FIBRE™} / Prysmian UC^{FIBRE™}

Optical fiber data cables from the UC^{FIBRE™} series support the latest leading edge transmission standard – 10 Gigabit Eth-



ernet with ten billion bits per second (10Gbit/s) – and provide the ideal basis for the move to faster transmission protocols in the future.

Data Centre Solutions UC^{FUTURE}

With 40/100 Gigabit-Ethernet infrastructures rapidly emerging as the next standard, the Draka product range has been extended with a cable program with UC^{FUTURE} cable that meets current requirements regarding packing density in data centers – and will facilitate the move to next-generation 40/100 Gigabit-Ethernet. This includes Cat8.x solutions for the forthcoming 40GBase-T interface.

UC^{CONNECT®} – Building blocks for ultimate network performance

Draka’s broad portfolio of connectivity products accomplishes perfectly the range of Datacom cable solutions established since many years in a variety of applications.

It contains as well Copper connectivity products in classical Cat.5 performance over trendy Cat.6 compliant products up to 10Gb/s premium Cat.6_A products as leading edge fibre optic products facilitating the superior Draka PVCD-based optical fibre cables along with modular, pluggable FO connectivity solutions perfected for the durability and flexibility.

Index

PRYSMIAN GROUP - LINKING THE FUTURE

1. SOLUTION CONFIGURATOR	5	5. PANELS	60
1.1 Category 5e	6	5.1 Patch Panels	62
UNSHIELDED CHANNEL		5.2 Smart Panels	77
SHIELDED CHANNEL		5.3 Cable Managements	82
Category 6			
1.2 UNSHIELDED CHANNEL	8	6. FACEPLATES AND ACCESSORIES	88
1.3 SHIELDED CHANNEL	10	6.1 Faceplate and Frame	90
Category 6A		6.2 Surface Mount Box	97
1.4 UNSHIELDED CHANNEL	12	6.3 Snap-In Module	99
1.5 SHIELDED CHANNEL	14		
		7. TOOLS & SECURITY	102
2. CABLES	16		
2.1 Category 5e	19	8. FIBRE OPTIC	108
2.2 Category 6	21	8.1 Cables	113
2.3 Category 6A	25	8.2 Indoor Trunk Cables	126
2.4 Category 7	31	8.3 Optical Patchcord	128
2.5 Category 7A	33	8.4 Optical Pigtail	129
2.6 Category 8.2	37	8.5 Optical Adaptors	130
		8.6 Patch Panel	131
3. KEYSTONE JACKS	38		
3.1 Category 5e	39		
3.2 Category 6	44		
3.2 Category 6A	49		
4. PATCHCORDS	54		



1. Solution configurators

For many decades, we have been designing, developing, manufacturing and selling a variety of high-quality copper and optical fibre cables in order to offer you cable solutions for present and future challenges – let it be standard products or tailor-made – special cables.

Category 5e Solution Configurator

Unshielded Permanent Link
Shielded Permanent Link
UCDATA®, UCONNECT®

Floor distributor



PWU9746	19" 1U 24P UTP, Punchdown Panel, RJ45, Cat 5e, 180°
PPU9749	19" 1U 24P UTP Keystone Panel, Empty, Cat 5e, 180°
PPVU9752	19" 1U 24P UTP Angle Keystone Panel, Empty, Cat 5e 180°, Foldable patented
PPU9773	19" 2U 48P UTP Keystone Panel, Empty, Cat 5e, 180°
PPS0118	19" 1U 24P FTP, Keystone Panel, Empty, Cat 5e, 180°
PPS9748	19" 1U 24P FTP Keystone Panel, Empty, Cat 5e, 180°
PPVS9752	19" 1U 24P FTP Angle Keystone Panel, Empty, Cat 5e, 180°, Foldable patented
PPS9772	19" 2U 48P FTP Keystone Panel, Empty, Cat 5e, 180°
PPS9000	19" 1U 24P, 4 X Cassettes, Cat 5e, 180°
PPVU9002	19" 1U 24P Shielded, Empty, Angled, Cat 5e, 180°



CM1U9849	19" 1U Cable management, Plastic light weight, Compact - 2.5 inch
CM2U9850	19" 2U Cable management, Plastic light weight, Compact - 2.5 inch
CM1U9851	19" 1U Cable management, Plastic light weight, Deep - 5 inch
CM1U9852	19" 2U Cable management, Plastic light weight, Deep - 5 inch
CM1U9861	19" 1U Cable management, Plastic light weight, Normal - 3 inch
CM2U9863	19" 2U Cable management, light weight, Double side access.



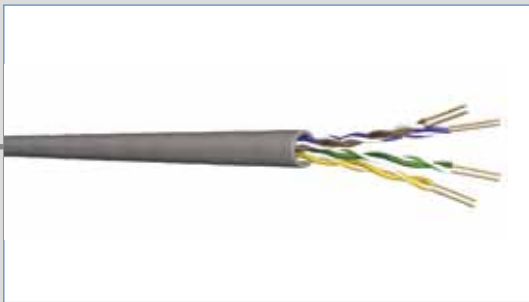
MJTR9660	Keystone Jack, Cat.5e, RJ45, UTP, 180°, Tool Fast, Blue
KJTF1250W	Keystone Jack, Cat.5e, RJ45, UTP, 90° Tool Free, White
MJTF1252W	Keystone Jack, Cat.5e, RJ45, UTP, 180°, Tool Free, White
MJTR8660W	Keystone Jack, Cat.5e, RJ45, UTP, 180°, Punch-down, White
MJTR9669	Keystone Jack, Cat.6, RJ45, FTP, 180°, Tool Fast, Shielded
MJTF1271	Keystone Jack, Cat.6a, RJ45, FTP, 180° Tool Free, Shielded



PS9621GY-1	U/UTP Cat.5e SLIMF Patch cord Grey LSZH 1M
PS9621GY-0	U/UTP Cat.5e SLIMF Patch cord Grey LSZH 1.5M
PS9621GY-2	U/UTP Cat.5e SLIMF Patch cord Grey LSZH 2M
PS9621GY-3	U/UTP Cat.5e SLIMF Patch cord Grey LSZH 3M
PC5110GY-1	U/UTP Cat.5e DBOOT Patch cord Grey PVC 24AWG 1M
PC5110GY-0	U/UTP Cat.5e DBOOT Patch cord Grey PVC 24AWG 1.5M
PC5110GY-2	U/UTP Cat.5e DBOOT Patch cord Grey PVC 24AWG 2M
PC5110GY-3	U/UTP Cat.5e DBOOT Patch cord Grey PVC 24AWG 3M
PC5120GY-1	U/UTP Cat.5e DBOOT Patch cord Grey LSZH 24AWG 1M
PC5120GY-0	U/UTP Cat.5e DBOOT Patch cord Grey LSZH 24AWG 1.5M
PC5120GY-2	U/UTP Cat.5e DBOOT Patch cord Grey LSZH 24AWG 2M
PC5120GY-3	U/UTP Cat.5e DBOOT Patch cord Grey LSZH 24AWG 3M
PG9551GY-1	F/UTP Cat.5e GOLD Patch cord Grey PVC 1M
PG9551GY-0	F/UTP Cat.5e GOLD Patch cord Grey PVC 1.5M
PG9551GY-2	F/UTP Cat.5e GOLD Patch cord Grey PVC 2M
PG9551GY-3	F/UTP Cat.5e GOLD Patch cord Grey PVC 3M

1.1 Category 5e
 Unshielded Permanent Link
 Shielded Permanent Link

Installation cable



- 52004 UC 300 Cat 5e UTP 24 AWG PVC, IEC 60332-1
- 52026 UC 300 Cat 5e UTP 24 AWG LSZH, IEC 60332-1
- 52034 UC 300 Cat 5e UTP 24 AWG PE, Outdoor
- 52048 UC300 Cat 5e UTP 24 AWG LSFZRH, IEC 60332-24
- 53025 UC 300 Cat 5e F/UTP 24 AWG PVC, IEC 60332-1
- 53041 UC 300 Cat 5e F/UTP 24 AWG LSZH, IEC 60332-1
- 53035 UC 300 Cat 5e F/UTP 24 AWG PE, Outdoor
- 53048 UC300 Cat 5e F/UTP 24 AWG LSFZRH, IEC 60332-24

Wall outlet or
 Consolidation point



- FPCO1086 BS Flat Faceplate, 1-port, Classic, Metallic Coat Silver-Grey
- FPCO1086G BS Flat Faceplate, 1-port, Classic, Metallic Coat Gold-White
- FPCO1087 BS Flat Faceplate, 2-ports, Classic, Metallic Coat Silver-Grey
- FPCO1087G BS Flat Faceplate, 2-ports, Classic, Metallic Coat Gold-White

- FPCA9286 10G BS Angle Faceplate, 1-port, White
- FPCA9287 10G BS Angle Faceplate, 2-port, White
- FPCA9288 10G BS Angle Faceplate, 4-port, White

- FP011331 Single port UK frame, 86x86 (LJ6C Type)
- FP011332 Dual port UK frame, 86x86 (LJ6C Type)
- MA1337 LJ6C Flat Single Adaptor, 38 x 25
- AA1338 LJ6C Angled Single Adaptor, 38 x 25
- B11339 LJ6C Blank Insert, 38 x 25

- FPCO1090 Wide, Flat Faceplate, 1-port, White
- FPCO1091 Wide, Flat Faceplate, 2-port, White
- FPCO1092 Wide, Flat Faceplate, 4-port, White
- FPCO1093 Wide, Flat Faceplate, 6-port, White



- MJTR9660 Keystone Jack, Cat.5e, RJ45, UTP, 180°, Tool Fast, Blue
- KJTF1250W Keystone Jack, Cat.5e, RJ45, UTP, 90° Tool Free, White
- MJTF1252W Keystone Jack, Cat.5e, RJ45, UTP, 180°, Tool Free, White
- MJTR8660W Keystone Jack, Cat.5e, RJ45, UTP, 180°, Punch-down, White
- MJTR9669 Keystone Jack, Cat.6, RJ45, FTP, 180°, Tool Fast, Shielded
- MJTF1271 Keystone Jack, Cat.6a, RJ45, FTP, 180° Tool Free, Shielded



- CJ9240 Tool Fast for MJTR 9 Series Keystone
- CJ9340 Punch down Tool for MJTR 8 Series Keystone



- PG9561GY-1 F/UTP Cat.5e GOLD Patch cord Grey LSFZRH 1M
- PG9561GY-0 F/UTP Cat.5e GOLD Patch cord Grey LSFZRH 1.5M
- PG9561GY-2 F/UTP Cat.5e GOLD Patch cord Grey LSFZRH 2M
- PG9561GY-3 F/UTP Cat.5e GOLD Patch cord Grey LSFZRH 3M

- PC5210GY-1 F/UTP Cat.5e DBOOT Patch cord Grey PVC 26AWG 1M
- PC5210GY-0 F/UTP Cat.5e DBOOT Patch cord Grey PVC 26AWG 1.5M
- PC5210GY-2 F/UTP Cat.5e DBOOT Patch cord Grey PVC 26AWG 2M
- PC5210GY-3 F/UTP Cat.5e DBOOT Patch cord Grey PVC 26AWG 3M

- PC5220GY-1 F/UTP Cat.5e DBOOT Patch cord Grey LSZH 26AWG 1M
- PC5220GY-0 F/UTP Cat.5e DBOOT Patch cord Grey LSZH 26AWG 1.5M
- PC5220GY-2 F/UTP Cat.5e DBOOT Patch cord Grey LSZH 26AWG 2M
- PC5220GY-3 F/UTP Cat.5e DBOOT Patch cord Grey LSZH 26AWG 3M

- PC5210GY-1 F/UTP Cat.5e DBOOT Patch cord Green PVC 26AWG 1M
- PC5210GY-0 F/UTP Cat.5e DBOOT Patch cord Green PVC 26AWG 1.5M
- PC5210GY-2 F/UTP Cat.5e DBOOT Patch cord Green PVC 26AWG 2M
- PC5210GY-3 F/UTP Cat.5e DBOOT Patch cord Green PVC 26AWG 3M

Category 6 Solution Configurator

Unshielded Permanent Link
UCDATA®, UCONNECT®

Floor distributor



PPWU9747 19" 1U 24P UTP Punchdown Panel, RJ45, Cat. 6, 180°



PPU9749 19" 1U 24P UTP Keystone Panel, Empty, Cat. 6, 180°
PPVU9752 19" 1U 24P UTP Angle Keystone Panel, Empty, Cat. 6, 180°, Foldable patented
PPU9773 19" 2U 48P UTP Keystone Panel, Empty, Cat. 6, 180°
PWU0110 19" 1U 24P UTP Punchdown Panel, RJ45, Cat. 6, 180°
PPS9000 19" 1U 24P, 4 X Cassettes, Cat. 5e, 180°
PPVU9002 19" 1U 24P, Shielded, Empty, Angled, Cat. 5e, 180°



CM1U9849 19" 1U Cable management, Plastic light weight, Compact - 2.5 inch
CM2U9850 19" 2U Cable management, Plastic light weight, Compact - 2.5 inch
CM1U9851 19" 1U Cable management, Plastic light weight, Deep - 5 inch
CM1U9852 19" 2U Cable management, Plastic light weight, Deep - 5 inch
CM1U9861 19" 1U Cable management, Plastic light weight, Normal - 3 inch
CM2U9863 19" 2U Cable management, light weight, Double side access



MJTR9667 Keystone Jack, Cat. 6, RJ45, UTP, 180°, Tool Fast, Blue
KJTF1264B Keystone Jack, Cat. 6, RJ45, UTP, 90° Tool Free, Solid Black
MJTF1262W Keystone Jack, Cat. 6, RJ45, UTP, 180° Tool Free, Solid White
MJTR8667W Keystone Jack, Cat. 6, RJ45, UTP, 180° Punchdown, Tool, Solid White



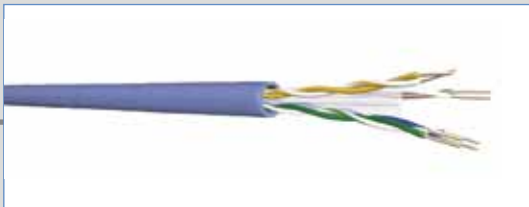
PG9701GY-1 U/UTP Cat. 6 GOLD Patch cord Grey PVC 24AWG 1M
PG9701GY-0 U/UTP Cat. 6 GOLD Patch cord Grey PVC 24AWG 1.5M
PG9701GY-2 U/UTP Cat. 6 GOLD Patch cord Grey PVC 24AWG 2M
PG9701GY-3 U/UTP Cat. 6 GOLD Patch cord Grey PVC 24AWG 3M
PG9705GY-1 U/UTP Cat. 6 GOLD Patch cord Grey LSZH 24AWG 1M
PG9705GY-0 U/UTP Cat. 6 GOLD Patch cord Grey LSZH 24AWG 1.5M
PG9705GY-2 U/UTP Cat. 6 GOLD Patch cord Grey LSZH 24AWG 2M
PG9705GY-3 U/UTP Cat. 6 GOLD Patch cord Grey LSZH 24AWG 3M

PS9671GY-1 U/UTP Cat. 6 SLIMF Patch cord Grey LSZH 1M- SLIMF
PS9671GY-0 U/UTP Cat. 6 SLIMF Patch cord Grey LSZH 1.5M- SLIMF
PS9671GY-2 U/UTP Cat. 6 SLIMF Patch cord Grey LSZH 2M- SLIMF
PS9671GY-3 U/UTP Cat. 6 SLIMF Patch cord Grey LSZH 3M- SLIMF

PC6110GY-1 U/UTP Cat. 6 DBOOT Patch cord Grey PVC 24AWG 1M
PC6110GY-0 U/UTP Cat. 6 DBOOT Patch cord Grey PVC 24AWG 1.5M
PC6110GY-2 U/UTP Cat. 6 DBOOT Patch cord Grey PVC 24AWG 2M
PC6110GY-3 U/UTP Cat. 6 DBOOT Patch cord Grey PVC 24AWG 3M
PC6120GY-1 U/UTP Cat. 6 DBOOT Patch cord Grey LSZH 24AWG 1M
PC6120GY-0 U/UTP Cat. 6 DBOOT Patch cord Grey LSZH 24AWG 1.5M
PC6120GY-2 U/UTP Cat. 6 DBOOT Patch cord Grey LSZH 24AWG 2M
PC6120GY-3 U/UTP Cat. 6 DBOOT Patch cord Grey LSZH 24AWG 3M

1.2 Category 6
 Unshielded Permanent Link

Installation cable



- 60088 UC 400 Cat 6 UTP 23 AWG PVC, IEC 60332-1
- 60075 UC 400 Cat 6 UTP 23 AWG LSZH, IEC 60332-1
- 62488 UC 400 Cat 6 UTP Bronze 24 AWG PVC, IEC 60332-1
- 62475 UC 400 Cat 6 UTP Bronze 24 AWG LSZH, IEC 60332-1
- 60048 UC 400 Cat 6 UTP 23 AWG LSFRZH, IEC 60332-24
- 60034 UC 400 Cat 6 UTP 23 AWG PE, Outdoor

Wall outlet or
 Consolidation point



- FPCO1086 BS Flat Faceplate, 1-port, Classic, Metallic Coat Silver-Grey
- FPCO1086G BS Flat Faceplate, 1-port, Classic, Metallic Coat Gold-White
- FPCO1087 BS Flat Faceplate, 2-ports, Classic, Metallic Coat Silver-Grey
- FPCO1087G BS Flat Faceplate, 2-ports, Classic, Metallic Coat Gold-White

- FPCA9286 10G BS Angle Faceplate, 1-port , White
- FPCA9287 10G BS Angle Faceplate, 2-port , White
- FPCA9288 10G BS Angle Faceplate, 4-port , White

- FP011331 Single port UK frame, 86x86 (LJ6C Type)
- FP011332 Dual port UK frame, 86x86 (LJ6C Type)
- MA1337 LJ6C Flat Single Adaptor, 38 x 25
- AA1338 LJ6C Angled Single Adaptor, 38 x 25
- B11339 LJ6C Blank Insert, 38 x 25

- FPCO1090 Wide, Flat Faceplate, 1-port, White
- FPCO1091 Wide, Flat Faceplate, 2-port, White
- FPCO1092 Wide, Flat Faceplate, 4-port, White
- FPCO1093 Wide, Flat Faceplate, 6-port, White



- MJTR9667 Keystone Jack, Cat. 6, RJ45, UTP, 180°, Tool Fast, Blue
- KJTF1264B Keystone Jack, Cat. 6, RJ45, UTP, 90° Tool Free, Solid Black
- MJTF1262W Keystone Jack, Cat. 6, RJ45, UTP, 180° Tool Free, Solid White
- MJTR8667W Keystone Jack, Cat. 6, RJ45, UTP, 180° Punch-down, Tool, Solid White



- CJ9240 Tool Fast for MJTR 9 Series Keystones
- CJ9340 Punch down Tool for MJTR 8 Series Keystones

Category 6 Solution Configurator

Shielded Permanent Link
UCDATA®, UCCONNECT®

Floor distributor



- PPS9748 19" 1U 24P FTP Keystone Panel, Empty, Cat6, 180°
- PPVS9752 19" 1U 24P FTP Angle Keystone Panel, Empty, Cat6, 180°, Foldable patented
- PPS9772 19" 2U 48P FTP Keystone Panel, Empty, Cat6, 180°
- PPS0118 19" 1U 24P FTP Keystone Panel, Empty, Cat6, 180°
- PPS9000 19" 1U 24P, 4 X Cassettes, Cat.6, 180°
- PPVU9002 19" 1U 24P, Shielded, Empty, Angled, Cat 6, 180°



- MJTR9669 Keystone Jack, Cat.6,RJ45,FTP, 180°, Tool Fast, Shielded
- MJTF1271 Keystone Jack, Cat.6a,RJ45,FTP, 180° Tool Free, Shielded



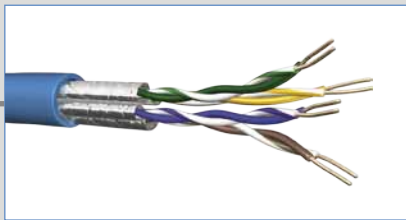
- CM1U9849 19" 1U Cable management, Plastic light weight, Compact - 2.5 inch
- CM2U9850 19" 2U Cable management, Plastic light weight, Compact - 2.5 inch
- CM1U9851 19" 1U Cable management, Plastic light weight, Deep - 5 inch
- CM1U9852 19" 2U Cable management, Plastic light weight, Deep - 5 inch
- CM1U9861 19" 1U Cable management, Plastic light weight, Normal - 3 inch
- CM2U9863 19" 2U Cable management, light weight, Double side access.



- PG9709GY-1 S/FTP Cat.6 GOLD Patch cord Grey PVC 27AWG 1M
- PG9709GY-0 S/FTP Cat.6 GOLD Patch cord Grey PVC 27AWG 1.5M
- PG9709GY-2 S/FTP Cat.6 GOLD Patch cord Grey PVC 27AWG 2M
- PG9709GY-3 S/FTP Cat.6 GOLD Patch cord Grey PVC 27AWG 3M
- PG9713GY-1 S/FTP Cat.6 GOLD Patch cord Grey LSFRZH 27AWG 1M
- PG9713GY-0 S/FTP Cat.6 GOLD Patch cord Grey LSFRZH 27AWG 1.5M
- PG9713GY-2 S/FTP Cat.6 GOLD Patch cord Grey LSFRZH 27AWG 2M
- PG9713GY-3 S/FTP Cat.6 GOLD Patch cord Grey LSFRZH 27AWG 3M
- PC6220GY-1 F/UTP Cat.6 DBOOT Patch cord Grey LSZH 26AWG 1M
- PC6220GY-0 F/UTP Cat.6 DBOOT Patch cord Grey LSZH 26AWG 1.5M
- PC6220GY-2 F/UTP Cat.6 DBOOT Patch cord Grey LSZH 26AWG 2M
- PC6220GY-3 F/UTP Cat.6 DBOOT Patch cord Grey LSZH 26AWG 3M

1.3 Category 6
 Shielded Permanent Link

Installation cable



- 11510 UC 400 Cat 6 S23 U/FTP 23 AWG, Patented 2 pairs foil, LSZH, IEC 60332-1
- 61088 UC 400 Cat 6 F/UTP 23 AWG PVC, IEC 60332-1
- 61075 UC 400 Cat 6 F/UTP 23 AWG LSZH, IEC 60332-1
- 65088 UC 400 Cat 6 S/FTP 23 AWG PVC, IEC 60332-1
- 65075 UC 400 Cat 6 S/FTP 23 AWG LSZH, IEC 60332-1
- 65048 UC 400 Cat 6 S/FTP 23 AWG LSFRZH, IEC 60332-24

Wall outlet or
 Consolidation point



- FPCO1086 BS Flat Faceplate, 1-port, Classic, Metallic Coat Silver-Grey
- FPCO1086G BS Flat Faceplate, 1-port, Classic, Metallic Coat Gold-White
- FPCO1087 BS Flat Faceplate, 2-ports, Classic, Metallic Coat Silver-Grey
- FPCO1087G BS Flat Faceplate, 2-ports, Classic, Metallic Coat Gold-White

- FPCA9286 10G BS Angle Faceplate, 1-port, White
- FPCA9287 10G BS Angle Faceplate, 2-port, White
- FPCA9288 10G BS Angle Faceplate, 4-port, White

- FP011331 Single port UK frame, 86x86 (LJ6C Type)
- FP011332 Dual port UK frame, 86x86 (LJ6C Type)
- MA1337 LJ6C Flat Single Adaptor, 38 x 25
- AA1338 LJ6C Angled Single Adaptor, 38 x 25
- B11339 LJ6C Blank Insert, 38 x 25

- FPCO1090 Wide, Flat Faceplate, 1-port, White
- FPCO1091 Wide, Flat Faceplate, 2-port, White
- FPCO1092 Wide, Flat Faceplate, 4-port, White
- FPCO1093 Wide, Flat Faceplate, 6-port, White



- MJTR9669 Keystone Jack, Cat.6,RJ45,FTP, 180°, Tool Fast, Shielded
- MJTf1271 Keystone Jack, Cat.6a,RJ45,FTP, 180° Tool Free, Shielded

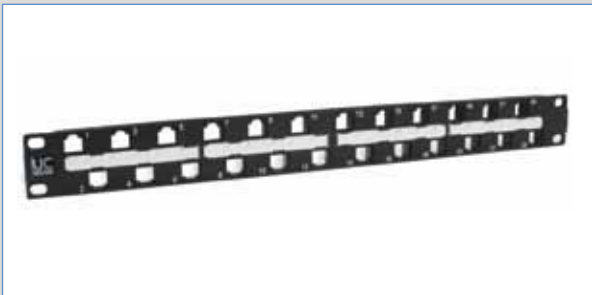


- CJ9240 Tool Fast for MJTR 9 Series Keystones
- CJ9340 Punch down Tool for MJTR 8 Series Keystones

Category 6A Solution Configurator

Unshielded Permanent Link
 UC DATA®, UC CONNECT®

Floor distributor



PPU9750 19" 1U 24P UTP Keystone Panel, Empty, Cat 6a, 180°



MJTF1270 Keystone Jack, Cat.6a, RJ45, UTP, 180° Tool Free, White



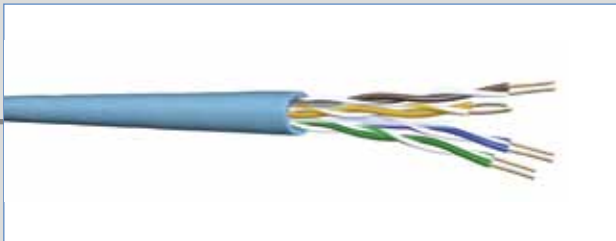
CM1U9849 19" 1U Cable management, Plastic light weight, Compact - 2.5 inch
 CM2U9850 19" 2U Cable management, Plastic light weight, Compact - 2.5 inch
 CM1U9851 19" 1U Cable management, Plastic light weight, Deep - 5 inch
 CM1U9852 19" 2U Cable management, Plastic light weight, Deep - 5 inch
 CM1U9861 19" 1U Cable management, Plastic light weight, Normal - 3 inch
 CM2U9863 19" 2U Cable management, light weight, Double side access



PC8120GY-1 U/UTP Cat.6a DB00T Patch cord LSZH 24AWG 1M Grey
 PC8120GY-0 U/UTP Cat.6a DB00T Patch cord LSZH 24AWG 1.5M Grey
 PC8120GY-2 U/UTP Cat.6a DB00T Patch cord LSZH 24AWG 2M Grey

1.4 Category 6A
 Unshielded Permanent Link

Installation cable



80075 UC 500 Cat 6a U/UTP 23 AWG LSZH, IEC 60332-1

Wall outlet or Consolidation point



- FPCO1086 BS Flat Faceplate, 1-port, Classic, Metallic Coat Silver-Grey
- FPCO1086G BS Flat Faceplate, 1-port, Classic, Metallic Coat Gold-White
- FPCO1087 BS Flat Faceplate, 2-ports, Classic, Metallic Coat Silver-Grey
- FPCO1087G BS Flat Faceplate, 2-ports, Classic, Metallic Coat Gold-White

- FPCA9286 10G BS Angle Faceplate, 1-port , White
- FPCA9287 10G BS Angle Faceplate, 2-port , White
- FPCA9288 10G BS Angle Faceplate, 4-port , White

- FP011331 Single port UK frame, 86x86 (LJ6C Type)
- FP011332 Dual port UK frame, 86x86 (LJ6C Type)
- MA1337 LJ6C Flat Single Adaptor, 38 x 25
- AA1338 LJ6C Angled Single Adaptor, 38 x 25
- BI1339 LJ6C Blank Insert, 38 x 25

- FPCO1090 Wide, Flat Faceplate, 1-port, White
- FPCO1091 Wide, Flat Faceplate, 2-port, White
- FPCO1092 Wide, Flat Faceplate, 4-port, White
- FPCO1093 Wide, Flat Faceplate, 6-port, White



MJTF1270 Keystone Jack,Cat.6a,RJ45,UTP, 180° Tool Free, White

Category 6A Solution Configurator

Shielded Permanent Link
 UC DATA®, UC CONNECT®

Floor distributor



PPS9748	19" 1U 24P FTP Keystone Panel, Empty, Cat6a, 180°
PPVS9752	19" 1U 24P FTP Angle Keystone Panel, Empty, Cat6a, 180°, Foldable patented
PPS9772	19" 2U 48P FTP Keystone Panel, Empty, Cat6a, 180°
PPS0118	19" 1U 24P FTP Keystone Panel, Empty, Cat6a, 180°
PPS9000	19" 1U 24P, 4 X Cassettes, Cat.6a, 180°
PPVU9002	19" 1U 24P, Shielded, Empty, Angled, Cat 6a, 180°
PPS0500	19" 1/2U, High Density, 24P, Empty, Cat 6a, 180°
PPS0600	19" 1U, High Density, 48P, Empty, Cat 6a, 180°



CM1U9849	19" 1U Cable management, Plastic light weight, Compact - 2.5 inch
CM2U9850	19" 2U Cable management, Plastic light weight, Compact - 2.5 inch
CM1U9851	19" 1U Cable management, Plastic light weight, Deep - 5 inch
CM1U9852	19" 2U Cable management, Plastic light weight, Deep - 5 inch
CM1U9861	19" 1U Cable management, Plastic light weight, Normal - 3 inch
CM2U9863	19" 2U Cable management, light weight, Double side access



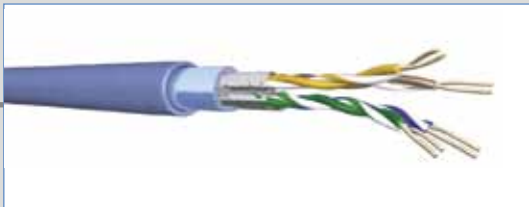
KJTF1272	Keystone Jack, Cat.6a, RJ45, FTP, 90° Tool Free, Shielded, Ease Connect
KJTF1273	Keystone Jack, Cat.6a, Stranded, RJ45, FTP, 90° Tool Free, Shielded, Ease Connect
MJTR9214	Keystone Jack, Cat.6a, RJ45, FTP, 180°, Tool Fast, Shielded
MJTF1271	Keystone Jack, Cat.6a, RJ45, FTP, 180° Tool Free, Shielded
MJTF1000	Keystone Jack, Cat.6a, RJ45, FTP, 180° Tool Free, Shielded, HD



PG9201GY-1	S/FTP Cat.6a GOLD Patch cord Grey PVC 23AWG 1M
PG9201GY-0	S/FTP Cat.6a GOLD Patch cord Grey PVC 23AWG 1.5M
PG9201GY-2	S/FTP Cat.6a GOLD Patch cord Grey PVC 23AWG 2M
PG9201GY-3	S/FTP Cat.6a GOLD Patch cord Grey PVC 23AWG 3M
PG9205GY-1	S/FTP Cat.6a GOLD Patch cord Grey LSFRZH 23AWG 1M
PG9205GY-0	S/FTP Cat.6a GOLD Patch cord Grey LSFRZH 23AWG 1.5M
PG9205GY-2	S/FTP Cat.6a GOLD Patch cord Grey LSFRZH 23AWG 2M
PG9205GY-3	S/FTP Cat.6a GOLD Patch cord Grey LSFRZH 23AWG 3M
PC8320GY-1	U/FTP Cat.6a DBOOT Patch cord LSZH 26AWG 1M Grey
PC8320GY-0	U/FTP Cat.6a DBOOT Patch cord LSZH 26AWG 1.5M Grey
PC8320GY-2	U/FTP Cat.6a DBOOT Patch cord LSZH 26AWG 2M Grey
PC8320GY-3	U/FTP Cat.6a DBOOT Patch cord LSZH 26AWG 3M Grey
PC8420GY-1	S/FTP Cat.6a DBOOT Patch cord LSZH 26AWG 1M Grey
PC8420GY-0	S/FTP Cat.6a DBOOT Patch cord LSZH 26AWG 1.5M Grey
PC8420GY-2	S/FTP Cat.6a DBOOT Patch cord LSZH 26AWG 2M Grey
PC8420GY-3	S/FTP Cat.6a DBOOT Patch cord LSZH 26AWG 3M Grey
PS8671WH-1	S/FTP Cat.6a SLIMF Patch cord WHITE LSZH 1M, 30 AWG, SILVER Plug
PS8671WH-0	S/FTP Cat.6a SLIMF Patch cord WHITE LSZH 1.5M, 30 AWG, SILVER Plug
PS8671WH-2	S/FTP Cat.6a SLIMF Patch cord WHITE LSZH 2M, 30 AWG, SILVER Plug
PS8671WH-3	S/FTP Cat.6a SLIMF Patch cord WHITE LSZH 3M, 30 AWG, SILVER Plug
PS6671WH-1	S/FTP Cat.6a SLIMF Patch cord WHITE LSZH 1M, 30 AWG, GOLD Plug
PS6671WH-0	S/FTP Cat.6a SLIMF Patch cord WHITE LSZH 1.5M, 30 AWG, GOLD Plug
PS6671WH-2	S/FTP Cat.6a SLIMF Patch cord WHITE LSZH 2M, 30 AWG, GOLD Plug
PS6671WH-3	S/FTP Cat.6a SLIMF Patch cord WHITE LSZH 3M, 30 AWG, GOLD Plug

1.5 Category 6A
 Shielded Permanent Link

Installation cable



- 1113 UC 500 Cat 6a S23 U/FTP 23 AWG, Patented 2 pairs foil, LSZH, IEC 60332-1
- 11268 UC 500 Cat 6a AS23 F/FTP 23 AWG, Patented 2 pairs foil, LSZH, IEC 60332-1
- 86075 UC 500 Cat 6a U/FTP 23 AWG, Individual pair foil, LSZH, IEC 60332-1
- 84075 UC 500 Cat 6a F/FTP 23 AWG, Individual pair foil, LSZH, IEC 60332-1
- 85075 UC 500 Cat 6a S/FTP 23 AWG, Individual pair foil, 40% braid, LSZH, IEC 60332-1
- 83048 UC 500 Cat 6a F/UTP 23 AWG, Overall foil, LSFRZH, IEC 60332-24
- 86048 UC 500 Cat 6a U/FTP 23 AWG, Individual pair foil, LSFRZH, IEC 60332-24
- 85048 UC 500 Cat 6a S/FTP 23 AWG, Individual pair foil, LSFRZH, 40% braid, LSFRZH, IEC60332-24
- 83075 UC 500 Cat 6a F/UTP 23 AWG, Overall foil, LSZH, IEC 60332-1

Wall outlet or Consolidation point



- FPCO1086 BS Flat Faceplate, 1-port, Classic, Metallic Coat Silver-Grey
- FPCO1086G BS Flat Faceplate, 1-port, Classic, Metallic Coat Gold-White
- FPCO1087 BS Flat Faceplate, 2-ports, Classic, Metallic Coat Silver-Grey
- FPCO1087G BS Flat Faceplate, 2-ports, Classic, Metallic Coat Gold-White

- FPCA9286 10G BS Angle Faceplate, 1-port, White
- FPCA9287 10G BS Angle Faceplate, 2-port, White
- FPCA9288 10G BS Angle Faceplate, 4-port, White

- FP01331 Single port UK frame, 86x86 (LJ6C Type)
- FP01332 Dual port UK frame, 86x86 (LJ6C Type)
- MA1337 LJ6C Flat Single Adaptor, 38 x 25
- AA1338 LJ6C Angled Single Adaptor, 38 x 25
- B11339 LJ6C Blank Insert, 38 x 25

- FPCO1090 Wide, Flat Faceplate, 1-port, White
- FPCO1091 Wide, Flat Faceplate, 2-port, White
- FPCO1092 Wide, Flat Faceplate, 4-port, White
- FPCO1093 Wide, Flat Faceplate, 6-port, White



- KJTF1272 Keystone Jack, Cat.6a, RJ45, FTP, 90° Tool Free, Shielded, Ease Connect
- KJTF1273 Keystone Jack, Cat.6a, Stranded, RJ45, FTP, 90° Tool Free, Shielded, Ease Connect
- MJTR9214 Keystone Jack, Cat.6a, RJ45, FTP, 180°, Tool Fast, Shielded
- MJTF1271 Keystone Jack, Cat.6a, RJ45, FTP, 180° Tool Free, Shielded
- MJTF1000 Keystone Jack, Cat.6a, RJ45, FTP, 180° Tool Free, Shielded, HD



- CJ9240 Tool Fast for MJTR 9 Series Keystone



2. Cables

Reliable Brand and Quality

In the communication infrastructure, our well proven products are always in use wherever it is a question of professional and undisturbed data, voice, audio and video transmission. The Draka UC range as described in this brochure has been designed for data transmission and offers a high-capacity and flexible cable concept with best future prospects to our customers from within the industry, trade and service sector.

High speed

The demands on modern networks are very high. Speed and transmission reliability are of utmost priority. In this respect, Gigabit Ethernet offers an enormous potential for the future.

For many years, we have been a partner to companies from within the industry, trade and service sector. Thus we are well aware of our customers' needs. Planning reliability is an important factor for you and for us, as today's cable concepts must also meet the requirements of tomorrow's developments. The Draka UC range has the physical potential to support structured networking for future requirements.

Our product range (Cat.5e, Cat.6, Cat.7 Cat.8.2 and multimedia cables) has been adjusted to a variety of applications and allows highest transmission ratios. For high-end applications, our UC900 up to UC1500 series offer important reserve capacity. Our cable series have been designed to also allow cable sharing between all categories on the level of the lower category.

Flexibility

Our high-quality UC cables are always in use wherever it is a question of high-speed data transmission in local networks (LAN). They are used for standardized and manufacturer-independent networks – e.g. Token Ring, Ethernet, ISDN, TPDDI, Fast Ethernet 1000BaseT

or 10GbE. Aside from voice and data communication, our solutions are also applicable for video communication. Among others, our product range comprises installation and patch cables which have been tested as to their compatibility with common components. Thus, we can guarantee maximum transmission reliability.

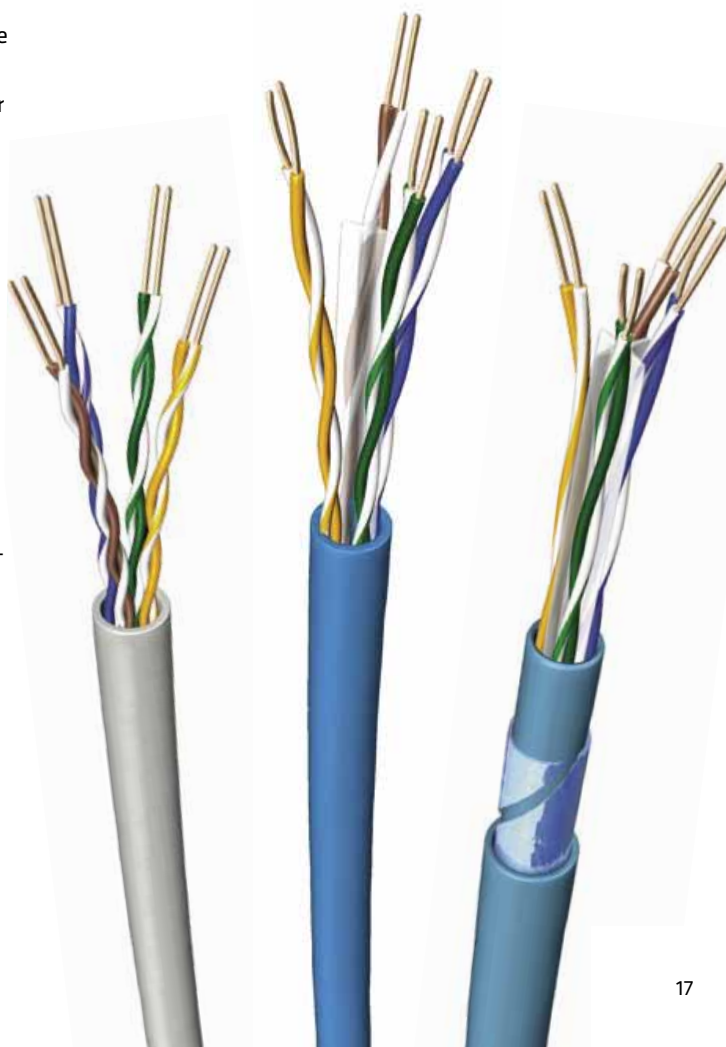
Free choice

The right equipment for all applications: Whether high transmission capacity, electromagnetic compatibility (EMC) or best fire retardancy characteristics: We can offer the optimum data cable for every application. All our products are certainly manufactured at the highest quality standards. And it is no question that we will be pleased to advise you as to the installation. Short delivery times and best service guaranteed.

Third Party Certifications



Our high quality UC cables are verified by the world's most recognized 3rd party certification agencies, assuring our cables are meeting or exceeding the required EIA/TIA and IEC standards. 3P, ETL & EC are commonly used as a proof of our quality assurance, depending on the region's familiarity on the 3rd party testing agencies.



2.1	CATEGORY 5e	
	UC300 24 Cat 5e U/UTP	19
	UC300 24 Cat 5e F/UTP	20
2.2	CATEGORY 6	
	UC400 24 Cat.6 U/UTP BRONZE	21
	UC400 23 Cat.6 F/UTP	22
	UC400 S23 Cat.6 U/FTP	23
	UC400 23 Cat.6 U/UTP	24
2.3	CATEGORY 6 _A	
	UC500 S23 Cat.6 _A U/FTP	25
	UC500 AS23 Cat.6 _A F/FTP	26
	UC500 23 Cat.6 _A U/UTP	27
	UC500 23 Cat.6 _A U/FTP	28
	UC500 23 Cat.6 _A F/FTP	29
	UC500 23 Cat.6 _A S/FTP	30
2.4	CATEGORY 7	
	UC900 HS23 Cat.7	31
	UC900 SS23 Cat.7	32
2.5	CATEGORY 7 _A	
	UC1200 HS23 Cat.7 _A	33
	UC1200 SS23 Cat.7 _A	34
	UC1500 HS22 Cat.7 _A	35
	UC1500 SS22 Cat.7 _A	36
2.6	CATEGORY 8.2	
	UC ^{FUTURE} COMPACT22 Cat.8.2 S/FTP 2000MHz	37

UC300 24 Cat 5e U/UTP

Standard, Solid



2.1. Cables

Construction

Conductor	Bare copper wire Ø 0.51 mm (AWG24)
Insulation	PE, Ø 0.9 mm
Sheath	PVC, LSZH and PE
Sheath colour	PVC : Grey; LSZH : Grey ; PE : Black
Outer Diameter	Nom. 4.8 mm
Weight	Nom. 28 kg /km

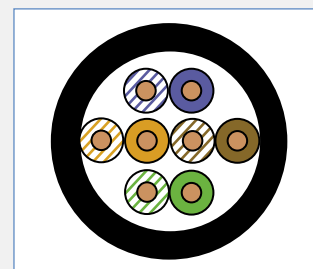
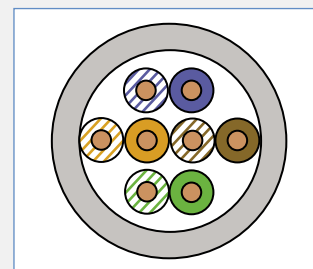
Mechanical properties

Minimum bending radius Installation	4 x Diameter
Maximum tensile load, Installation	Nom. 100 N
Maximum tensile load, Installed	No stretch
Temperature range during operation	-20°C up to +60°C
Temperature range during installation	0°C up to +50°C

Electrical properties at 20°C

Mean Characteristic impedance 100 Mhz	(100 ± 5) Ω
DC Loop Resistance	Nom. 176.1 Ω/km
DC Resistance Unbalance	≤ 0.4 %
Propagation Delay	≤ 576.0 ns
Delay Skew, maximum at 100MHz	≤ 77.0 ns
Mutual Capacitance	Nom. 48.9 pF/m
Capacitance Unbalance (pair to ground)	≤ 110 pF/km
Nominal Velocity of Propagation (NVP)	Nom. 67%
Attenuation @100 Mhz	199.4 dB/km
NEXT @ 100 Mhz	30 dB
PS-NEXT @ 100 Mhz	28 dB
ACR @ 100 Mhz	21.2 dB
PS-ACR @ 100 Mhz	30 dB
ELFEXT @ 100 Mhz	28 dB
PS-ELFEXT @ 100 Mhz	33 dB
Return Loss @ 100 Mhz	7.9 dB

- All above stated values are nominal and subject to changes.
- For more details on electrical properties please request for datasheet.



Application

Primary (Campus)

Secondary (Riser)

Tertiary (Horizontal)

IEEE 802.3: 10Base-T: 100Base-T:

1000Base-T: IEEE 802.5 16 MB:

ISDN: TPDDI:ATM

Power over Ethernet PoE/PoE+

IEEE 802.3af and IEEE 802.3at

Standards

ANSI TIA/EIA 568-C.2;

ISO/IEC 11801 2nd Ed.;IEC 61156-5 2nd Ed.;

EN 50173; EN 50288-3-1:2013

Fire Rating

PVC IEC 60332-1-2

LSZH IEC 60332-1-2; IEC 60754-1&2 ;

IEC 61034-2

LSFRZH IEC 60332-1-2; IEC 60332-3-24

IEC 60754-1&2 IEC 61034-2

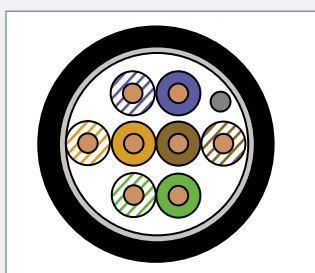
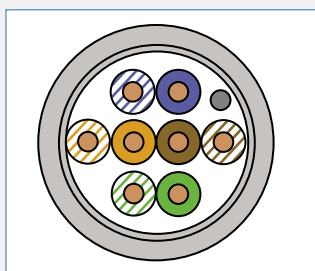
Ordering Information

SAP IC	UC P/N	Product Description	P.U
60011062	52004	UC 300 Cat 5e UTP 24 AWG PVC	305m/box
60026275	52026	UC 300 Cat 5e UTP 24 AWG LSZH	305m/box
60010244	52034	UC 300 Cat 5e UTP 24 AWG PE, Outdoor	500m/reel
TBA	52048	UC 300 Cat5e UTP 24 AWG LSFRZH	500m/reel

2.1. Cables

UC300 24 Cat 5e F/UTP

Standard, Solid



Application

Primary (Campus)

Secondary (Riser)

Tertiary (Horizontal)

IEEE 802.3: 10Base-T; 100Base-T;

1000Base-T; IEEE 802.5 16 MB;

ISDN; TPDDI; ATM

Power over Ethernet PoE/PoE+

IEEE 802.3af and IEEE 802.3at

Standards

ANSI TIA/EIA 568-C.2;

ISO/IEC 11801 2nd Ed.;

IEC 61156-5 2nd Ed.;

EN 50173; EN 50288-3-1:2013

Fire Rating

PVC IEC 60332-1-2

LSZH IEC 60332-1-2;
IEC 60754-1&2 ;
IEC 61034-2

LSFRZH IEC 60332-1-2;
IEC 60332-3-24
IEC 60754-1&2
IEC 61034-2

Construction

Conductor	Bare copper wire Ø 0.5 mm (AWG24)
Insulation	PE, Nom. Ø 1.04 mm
Sheath	PVC; alternatives LSZH and PE
Sheath colour	PVC : Grey; LSZH : Grey ; PE : Black
Screen	Al-laminated plastic foil, drain wire AWG 26 tinned
Outer Diameter	Nom. 5.9 mm
Weight	Nom. 32kg /km

Mechanical properties

Minimum bending radius Installation	4 x Diameter
Maximum tensile load, Installation	Nom. 100 N
Maximum tensile load, Installed	No stretch
Temperature range during operation	-20°C up to +60°C
Temperature range during installation	0°C up to +50°C

Electrical properties at 20°C

Mean Characteristic impedance @ 100 Mhz	(100 ± 5) Ω
DC Loop Resistance	Nom. 176.1 Ω /km
DC Resistance Unbalance, maximum	≤ 0.4 %
Propagation Delay, minimum margin to limit	Nom. 576 ns
Delay Skew, maximum at 100MHz	Nom. 77.0 ns
Return Loss (1-100MHz) min	≥ 3.9 dB
Mutual Capacitance	Nom. 48.9 pF/km
Capacitance Unbalance, maximum	110 pF/km
Nominal Velocity of Propagation (NVP)	Nom. 67%
Attenuation @100 Mhz	199.4 dB/km
NEXT @ 100 Mhz	30 dB
PS-NEXT @ 100 Mhz	28 dB
ACR @ 100 Mhz	21.2 dB
PS-ACR @ 100 Mhz	30 dB
ELFEXT @ 100 Mhz	28 dB
PS-ELFEXT @ 100 Mhz	33 dB
Return Loss @ 100 Mhz	7.9 dB

- All above stated values are nominal and subject to changes.
- For more details on electrical properties please request for datasheet.

Ordering Information

SAP IC	UC P/N	Product Description	P.U
60011026	53025	UC 300 Cat 5e F/UTP 24 AWG PVC, Indoor	305m/box
60011534	53041	UC 300 Cat 5e F/UTP 24 AWG LSZH, Indoor	305m/box
TBA	53035	UC 300 Cat 5e F/UTP 24 AWG PE, Outdoor	500m/reel
TBA	53048	UC 300 Cat 5e F/UTP 24 AWG LSFRZH	500m/reel

UC400 24 Cat. 6 U/UTP BRONZE

Slim, Solid



Construction

Conductor	Bare copper wire Ø 0.52 mm (AWG24)
Insulation	PE, Nom. Ø 0.95 mm
Sheath	PVC or LSZH
Sheath Colour	PVC, LSZH : GREY
Outer Diameter	Nom. 5.4 mm
Weight	Nom. 35kg /km

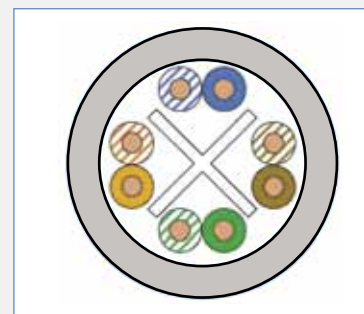
Mechanical properties

Minimum bending radius Installation	8 x Diameter
Minimum bending radius Installed	8 x Diameter
Temperature range during operation	-10°C up to +60°C
Temperature range during installation	-10°C up to +60°C

Electrical properties at 20°C

DC Resistance	≤ 655 Ω /km
Resistance Unbalance	≤ 0.26 %
Mutual Capacitance	Nom. 476 nf/km
Capacitance Unbalance (pair to ground)	≤ 275 pf/km
Nominal Velocity of Propagation	Nom. 67%
Applied Voltage	Nom. 2.5kV
Attenuation @250 Mhz	30.6 dB
NEXT @ 250 Mhz	52.9 dB
PS-NEXT @ 250 Mhz	51.7 dB
ACR-F @ 250 Mhz	38.4 dB
PS-ACR-F @ 250 Mhz	37.2 dB
Return Loss @ 250 Mhz	27.7 dB

- All above stated values are nominal and subject to changes.
- For more details on electrical properties please request for datasheet.



Application

Primary (Campus)

Secondary (Riser)

Tertiary (Horizontal)

IEEE 802.3: 10Base-T; 100Base-T;
1000Base-T; IEEE 802.5 16 MB;
ISDN; TPDDI; ATM
Power over Ethernet PoE/PoE+
IEEE 802.3af and IEEE 802.3at

Standards

ANSI TIA/EIA 568-C.2;
ISO/IEC 11801 2nd Ed.;
IEC 61156-5 2nd Ed.;
EN 50173; EN 50288-3-1:2013

Fire Rating

PVC IEC 60332-1-2
LSZH IEC 60332-1-2 ; IEC 60754-1&2 ;
IEC 61034-2
LSFRZH IEC 60332-1-2 ; IEC 60332-3-24
IEC 60754-1&2 IEC 61034-2

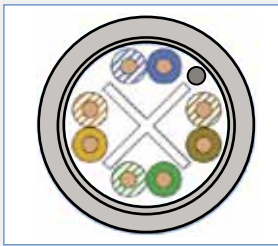
Ordering Information

SAP IC	UC P/N	Product Description	P.U
TBA	62488	UC 400 Cat 6 UTP Bronze 24 AWG PVC	305m/box
TBA	62475	UC 400 Cat 6 UTP Bronze 24 AWG LSZH	305m/box

2.2. Cables

UC400 23 Cat. 6 F/UTP

Standard, Solid



Application

Primary (Campus)

Secondary (Riser)

Tertiary (Horizontal)

IEEE 802.3: 10Base-T; 100Base-T;

1000Base-T; IEEE 802.5 16 MB;

ISDN; TPDDI; ATM

IEEE 802.3af (PoE) ; IEEE 802.3at (PoE+)

Standards

ANSI TIA/EIA 568-C.2;

ISO/IEC 11801 2nd Ed.;

IEC 61156-5 2nd Ed.;

EN 50173; EN 50288-3-1:2013

Fire Rating

PVC IEC 60332-1-2

LSZH IEC 60332-1-2 ;
IEC 60754-1&2 ;
IEC 61034-2

LSFRZH IEC 60332-1-2 ;
IEC 60332-3-24
IEC 60754-1&2
IEC 61034-2

Construction

Conductor	Bare copper wire Ø 0.57 mm (AWG23)
Insulation	PE, Nom. Ø 0.95 mm
Sheath	PVC or LSZH or LSFRZH
Sheath Colour	PVC, LSZH, LSFRZH : GREY
Outer Diameter	Nom. 6.86 mm
Weight	Nom. 51.62 kg /km

Mechanical properties

Minimum bending radius Installed	4 x Diameter
Minimum bending radius Installed	4 x Diameter
Temperature range during operation	-10°C up to +60°C
Temperature range during installation	-10°C up to +60°C

Electrical properties at 20°C

DC Loop Resistance	≤ 150 Ω / km
DC Resistance Unbalance	≤ 0.1 %
Insulation Resistance (500 V)	≥ 160, 000 MΩ/Km
Mutual Capacitance	Nom. 52.2 nf /km
Capacitance Unbalance (pair to ground)	≤ 190 pf /km
Nominal Velocity of Propagation	Nom. 67 %
Applied Voltage (DC, 1 min)	Nom. 1000 V
Attenuation @250 Mhz	30.6 dB
NEXT @ 250 Mhz	52.9 dB
PS-NEXT @ 250 Mhz	51.7 dB
ACR @ 250 Mhz	38.4 dB
PS-ACR @ 250 Mhz	37.2 dB
Return Loss @ 250 Mhz	27.7 dB

- All above stated values are nominal and subject to changes.
- For more details on electrical properties please request for datasheet.

Ordering Information

SAP IC	UC P/N	Product Description	P.U
TBA	61088	UC 400 Cat 6 F/UTP 23 AWG PVC	500m/reel
TBA	61088BL	UC 400 Cat 6 F/UTP 23 AWG PVC Blue	500m/reel
TBA	61075	UC 400 Cat 6 F/UTP 23 AWG LSZH	500m/reel
TBA	61075BL	UC 400 Cat 6 F/UTP 23 AWG LSZH Blue	500m/reel
TBA	61048	UC 400 Cat 6 F/UTP 23 AWG LSFRZH	500m/reel
TBA	61048BL	UC 400 Cat 6 F/UTP 23 AWG LSFRZH Blue	500m/reel

UC400 S23 Cat. 6 U/FTP

Premium, Solid, LSZH

**Patent**

2.2. Cables

Construction

Conductor	Bare copper wire Ø 0.57 mm (AWG23)
Insulation	PE, Nom. Ø 1.0 mm
Sheath	LSZH
Sheath Colour	Blue
Pair Screen	High Performance STP: Al-laminated plastic foil, patented wrapping of two pairs each, drain wire AWG 26 tinned
Outer Diameter	Nom. 6.5 mm
Weight	Nom. 41 kg /km

Mechanical properties

Minimum bending radius without load	≥ 35 mm
Minimum bending radius with load	≥ 70 mm
Temperature range during operation	-20°C up to +60°C
Temperature range during installation	0°C up to +50°C

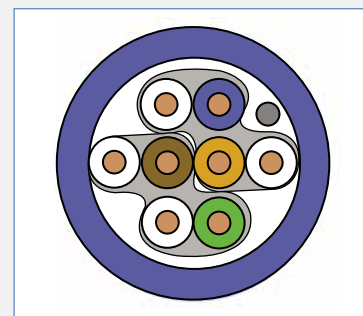
Electrical properties at 20°C

DC Loop Resistance	≤ 176 Ω /km
Resistance Unbalance	≤ 2%
Insulation Resistance (500 V)	≥ 2000 MΩ *km
Capacitance at 800 Hz	Nom. 43 nF /km
Capacitance Unbalance (pair to ground)	≤ 1500 pF /km
Characteristic Impedance 1- 100 MHz	(100 ± 15) Ω
Characteristic Impedance 100- 250 MHz	(100 ± 18) Ω
Nominal Velocity of Propagation	Nom. 79 %
Propagation Delay	Nom. 427 ns /100m
Delay Skew	Nom. 12 ns /100m
Test voltage (DC, 1 min) Core/Core	Nom. 1000 V
Coupling Attenuation	≥ 55dB
Attenuation @250 Mhz	28.8 dB
NEXT @ 250 Mhz	90 dB
PS-NEXT @ 250 Mhz	97 dB
ACR @ 250 Mhz	62 dB
PS-ACR @ 250 Mhz	59 dB
PS-ELFEXT @250 Mhz	66 dB
Return Loss @ 250 Mhz	20 dB

- All above stated values are nominal and subject to changes.
- For more details on electrical properties please request for datasheet.

Ordering Information

SAP IC	UC P/N	Product Description	P.U
60011510	11510	UC 400 Cat 6 S23 U/FTP 23 AWG, Patented 2 Pairs Foil, LSZH	500m/reel

**Application**

Primary (Campus)

Secondary (Riser)

Tertiary (Horizontal)

IEEE 802.3: 10Base-T; 100Base-T;

1000Base-T; IEEE 802.5 16 MB;

ISDN; TPDDI; ATM

Power over Ethernet PoE/PoE+

IEEE 802.3af and IEEE 802.3at

Standards

ANSI TIA/EIA 568-C.2;

ISO/IEC 11801 2nd Ed.;IEC 61156-5 2nd Ed.;

EN 50173; EN 50288-3-1:2013

Fire Rating

PVC IEC 60332-1-2

LSZH IEC 60332-1-2 ; IEC 60754-1&2 ;

IEC 61034-2

LSFRZH IEC 60332-1-2 ; IEC 60332-3-24

IEC 60754-1&2 IEC 61034-2

2.2. Cables



Application

Primary (Campus)

Secondary (Riser)

Tertiary (Horizontal)

IEEE 802.3: 10Base-T; 100Base-T;

1000Base-T; IEEE 802.5 16 MB;

ISDN; TPDDI; ATM

Power over Ethernet PoE/PoE+

IEEE 802.3af and IEEE 802.3at

Standards

ANSI TIA/EIA 568-C.2;

ISO/IEC 11801 2nd Ed.;

IEC 61156-5 2nd Ed.;

EN 50173; EN 50288-3-1:2013

Fire Rating

PVC IEC 60332-1-2

LSZH IEC 60332-1-2 ;

IEC 60754-1&2 ;

IEC 61034-2

LSFRZH IEC 60332-1-2 ;

IEC 60332-3-24

IEC 60754-1&2

IEC 61034-2

UC400 23 Cat. 6 U/UTP

Premium, Solid



Construction

Conductor	Bare copper wire Ø 0.57 mm (AWG23)
Insulation	PE, Nom. Ø 0.98 mm
Sheath	PVC or LSZH or LSFRZH
Sheath Colour	PVC, LSZH, LSFRZH : GREY/BLUE ; PE : BLACK
Outer Diameter	Nom. 6.3 mm
Weight	Nom. 40 kg /km

Mechanical properties

Minimum bending radius Installation	4 x Diameter
Minimum bending radius Installed	4 x Diameter
Temperature range during operation	-20°C up to +60°C
Temperature range during installation	0°C up to +50°C

Electrical properties at 20°C

Characteristic Impedance (1-250 Mhz)	(100 ± 5) Ω
DC-loop Resistance	Nom. 146.2 Ω/km
Resistance Unbalance	≤ 0.7 %
Capacitance, nominal	Nom. 52.0 pF /km
Capacitance Unbalance, maximum	≤ 57 pF/km
Propagation Delay, minimum margin to limit	≥ 427.0 ns
Delay Skew, maximum at 1-250MHz	≤ 212 ns
Nominal Velocity of Propagation (NVP)	Nom. 67%
Attenuation @250 Mhz	315.6 dB/km
NEXT @ 250 Mhz	52.9 dB
PS-NEXT @ 250 Mhz	51.7 dB
ACR @ 250 Mhz	25.3 dB
PS-ACR @ 250 Mhz	21.1 dB
EL-FEXT @250 Mhz	38.4 dB
PS-ELFEXT @ 250 Mhz	26 dB
Return Loss @ 250 Mhz	7.3 dB

- All above stated values are nominal and subject to changes.
- For more details on electrical properties please request for datasheet.

Ordering Information

SAP IC	UC P/N	Product Description	P.U
TBA	60088	UC 400 Cat 6 UTP 23 AWG PVC	305m/box
TBA	60088BL	UC 400 Cat 6 UTP 23 AWG PVC Blue	305m/box
TBA	60075	UC 400 Cat 6 UTP 23 AWG LSZH	305m/box
TBA	60075BL	UC 400 Cat 6 UTP 23 AWG LSZH Blue	305m/box
TBA	60034	UC 400 Cat 6 UTP 23 AWG PE, Outdoor	500m/reel
TBA	60048	UC 400 Cat 6 UTP 23 AWG LSFRZH	305m/box
TBA	60048BL	UC 400 Cat 6 UTP 23 AWG LSFRZH Blue	305m/box

UC500 S23 Cat.6A U/FTP



Premium, Solid, LSZH

Patent

2.3. Cables

Construction

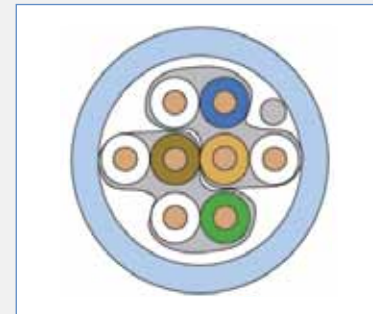
Conductor	Bare copper wire Ø 0.56 mm (AWG23)
Insulation	PE , Nom. Ø 1.35 mm
Sheath	LSZH
Sheath Colour	Blue
Pair Screen	Patented High Performance Pair Screen wrapping of two pairs
Outer Diameter	Nom. 6.9 mm
Weight	Nom. 45 kg /km

Mechanical properties

Minimum bending radius Installation	8 x O.D
Minimum bending radius Installed	4 x O.D
Temperature range during operation	-20°C up to +60°C
Temperature range during installation	0°C up to +50°C

Electrical properties at 20°C

DC Loop Resistance	≤ 176 Ω /km
DC Resistance Unbalance	≤ 2%
Insulation Resistance (500 V)	≥ 2000 MΩ *km
Capacitance at 800 Hz	Nom. 43 nF /km
Capacitance Unbalance (pair to ground)	≤ 1500 pF /km
Characteristic Impedance 1-100 MHz	(100 ± 15) Ω
Nominal Velocity of Propagation	Nom. 79 %
Propagation Delay	Nom. 450 ns /100m
Delay Skew	Nom. 15 ns /100m
Test Voltage (DC, 1 min) Core/Core	Nom. 1000 V
Coupling Attenuation	≥ 55dB
Attenuation @500 Mhz	44.8 dB
NEXT @ 500 Mhz	85.0 dB
PS-NEXT @ 500 Mhz	82.0 dB
ACR @ 500 Mhz	40.0 dB
PS-ACR @ 500 Mhz	37.0 dB
PS-ACR-F @ 500 Mhz	58.0 dB

**Application**

Primary (Campus)

Secondary (Riser)

Tertiary (Horizontal)

IEEE 802.3: 10Base-T; 100Base-T;

1000Base-T; 10GBase-T;

IEEE 802.5 16 MB; ISDN; TPDDI; ATM

IEEE 802.3af (PoE) ; IEEE 802.3at (PoE+)

Standards

ANSI TIA/EIA 568-C.2;

ISO/IEC 11801 2nd Ed.;IEC 61156-5 2nd Ed ;

EN 50173; EN 50288-3-1:2013

Fire Rating

PVC IEC 60332-1-2

LSZH IEC 60332-1-2 ; IEC 60754-1&2 ;

IEC 61034-2

Ordering Information

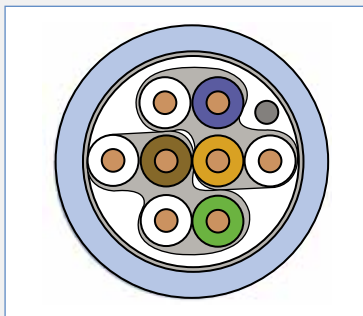
SAP IC	UC P/N	Product Description	P.U
6001113	11113	UC 500 Cat 6a S23 U/FTP 23 AWG, Patented 2 pairs foil, LSZH	500m/reel

UC500 AS23 Cat.6A F/FTP

Premium, Solid, LSZH



Patent



Application

Primary (Campus)

Secondary (Riser)

Tertiary (Horizontal)

IEEE 802.3: 10Base-T; 100Base-T;

1000Base-T; 10GBase-T;

IEEE 802.5 16 MB; ISDN; TPDDI; ATM

IEEE 802.3af (PoE) ; IEEE 802.3at

a(PoE+)

Standards

ANSI TIA/EIA 568-C.2;

ISO/IEC 11801 2nd Ed.;

IEC 61156-5 2nd Ed ;

EN 50173; EN 50288-3-1:2013

Fire Rating

PVC IEC 60332-1-2

LSZH IEC 60332-1-2 ;

IEC 60754-1&2 ;

IEC 61034-2

Construction

Conductor	Bare copper wire Ø 0.56 mm (AWG23)
Insulation	Foamskin PE , Nom. Ø 1.35 mm
Sheath	LSZH
Sheath colour	Blue
Pair Screen	Patented High Performance Pair Screen wrapping of two pairs
Overall Screen	Advanced screen: Al-laminated plastic foil, drain wire AWG26 tinned
Outer Diameter	Nom. 7.1 mm
Weight	Nom. 47 kg /km

Mechanical properties

Minimum bending radius without load	≥ 8 x O.D
Minimum bending radius with load	≥ 8 x O.D
Temperature range during operation	-20°C up to +60°C
Temperature range during installation	0°C up to +50°C

Electrical properties at 20°C

DC Loop Resistance	≤ 176 Ω /km
DC Resistance Unbalance	≤ 2%
Insulation Resistance (500 V)	≥ 2000 MΩ *km
Capacitance at 800 Hz	Nom. 43 nF /km
Capacitance Unbalance (pair to ground)	≤ 1500 pF /km
Mean Characteristic Impedance 100 MHz	(100 ± 5) Ω
Nominal Velocity of Propagation	Nom. 79 %
Propagation Delay	Nom. 427 ns /100m
Delay Skew	Nom. 12 ns /100m
Applied Voltage (DC, 1 min) core/core and core/screen	Nom. 1000 V
Transfer Impedence	At 1 MHz; ≤ 20mΩ / m
	At 10 MHz; ≤ 50mΩ / m
	At 30 MHz; ≤ 100mΩ / m
Coupling Attenuation	≥ 55dB
Attenuation @500 Mhz	44.8 dB
NEXT @ 500 Mhz	85.0 dB
PS-NEXT @ 500 Mhz	82.0 dB
ACR @ 500 Mhz	40.0 dB
PS-ACR @ 500 Mhz	37.0 dB
PS-ACRF @ 500 Mhz	58.0 dB

Ordering Information

SAP IC	UC P/N	Product Description	P.U
6001268	11268	UC 500 Cat 6a AS23 F/FTP 23 AWG, Patented 2 Pairs Foil, LSZH, IEC 60332-1	500m/reel

UC500 23 Cat.6A U/UTP

Standard, Solid, LSZH



2.3. Cables

Construction

Conductor	Bare copper wire Ø 0.56 mm (AWG23/1)
Insulation	PE , Nom. Ø 1.03 mm
Sheath	LSZH
Sheath Colour	PVC : Blue; LSZH : Blue
Outer Diameter	Nom. 8.6 mm
Weight	Nom. 56 kg /km

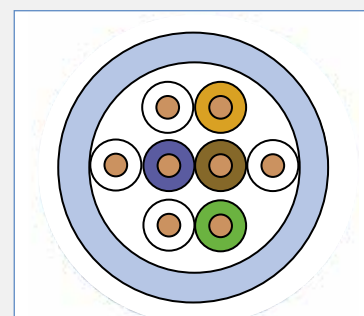
Mechanical properties

Minimum bending radius without load	8 x Diameter
Minimum bending radius with load	8 x Diameter
Temperature range during operation	-10°C up to +60°C
Temperature range during installation	-10°C up to +60°C

Electrical properties at 20°C

DC Loop Resistance	≤ 150 Ω /km
DC Resistance Unbalance	≤ 0.1 %
Insulation Resistance (2.5 kV d.c.)	≥ 160,000 MΩkm
Mutual Capacitance at 800 Hz	Nom. 50 nF /km
Capacitance Unbalance (pair to ground)	≤ 190 pF /km
Mean Characteristic Impedance 100 MHz	(100 ± 10) Ω
Nominal Velocity of Propagation	Nom. 65 %
Propagation Delay	Nom. 557 ns / 100m
Delay Skew	Nom 35.4 ns / 100m
Test Voltage (d.c. ;2 sec)	Nom. 2.5 kV
Attenuation @500 Mhz	41.0 dB
NEXT @ 500 Mhz	56.6 dB
PS-NEXT @ 500 Mhz	54.6 dB
ACR @ 500 Mhz	16.6 dB
ACRF @ 500 Mhz	38.0 dB
PS-ACRF @ 500 Mhz	35.8 dB

- All above stated values are nominal and subject to changes.
- For more details on electrical properties please request for datasheet.



Application

Primary (Campus)

Secondary (Riser)

Tertiary (Horizontal)

IEEE 802.3: 10Base-T; 100Base-T;

1000Base-T; 10GBase-T;

IEEE 802.5 16 MB; ISDN; TPDDI; ATM

IEEE 802.3af (PoE) ; IEEE 802.3at (PoE+)

Standards

ANSI TIA/EIA 568-C.2;

ISO/IEC 11801 2nd Ed.;IEC 61156-5 2nd Ed ;

EN 50173; EN 50288-3-1:2013

Fire Rating

PVC IEC 60332-1-2

LSZH IEC 60332-1-2 ; IEC 60754-1&2 ;

IEC 61034-2

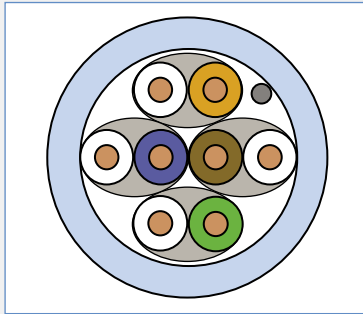
LSFRZH IEC 60332-1-2 ; IEC 60332-3-24

IEC 60754-1&2 IEC 61034-2

Ordering Information

SAP IC	UC P/N	Product Description	P.U
60025517	80075	UC 500 Cat 6a U/UTP 23 AWG LSZH	500m/reel
TBA	80048	UC 500 Cat 6a U/UTP 23 AWG LSFZRZH	500m/reel

2.3. Cables



Application

Primary (Campus)

Secondary (Riser)

Tertiary (Horizontal)

IEEE 802.3: 10Base-T; 100Base-T;
1000Base-T; 10GBase-T;
IEEE 802.5 16 MB; ISDN; TPDDI; ATM
IEEE 802.3af (PoE) ; IEEE 802.3at
(PoE+)

Standards

ANSI TIA/EIA 568-C.2;
ISO/IEC 11801 2nd Ed.;
IEC 61156-5 2nd Ed ;
EN 50173; EN 50288-3-1:2013

Fire Rating

PVC IEC 60332-1-2
LSZH IEC 60332-1-2 ;
IEC 60754-1&2 ;
IEC 61034-2
IEC 60754-1&2
IEC 61034-2

UC500 23 Cat.6A U/FTP

Standard, Solid, LSZH



Construction

Conductor	Bare copper wire, Ø 0.56 mm (AWG23/1)
Insulation	Foam PE , Nom. Ø 1.32 mm
Sheath	LSZH
Sheath Colour	Blue
Pair Screen	High Performance Individual Pair Screen
Outer Diameter	Nom. 7.47 mm
Weight	Nom. 58.8 kg /km

Mechanical properties

Minimum bending radius Installation	8 x Diameter
Minimum bending radius Installed	8 x Diameter
Temperature range during operation	-10°C up to +60°C
Temperature range during installation	-10°C up to +60°C

Electrical properties at 20°C

DC Loop Resistance	≤ 139 Ω/km
DC Resistance Unbalance	≤ 0.1%
Insulation Resistance (2.5 kV d.c.)	≥ 460,000 MΩ *km
Mutual Capacitance at 800 Hz	Nom. 43.0 nF/km
Capacitance Unbalance (pair to ground)	≤ 773 pF/km
Mean Characteristic Impedance 100 MHz	(100 ± 10) Ω
Nominal Velocity of Propagation	Nom. 79 %
Propagation Delay	Nom. 450 ns/100m
Delay Skew	Nom. 5.2 ns/100m
Applied Voltage (d.c , 2 sec)	Nom. 2.5 kV
Transfer Impedence	At 1 MHz; ≤ 50mΩ / m
	At 10 MHz; ≤ 100mΩ / m
	At 30 MHz; ≤ 200mΩ / m
Attenuation @500 Mhz	41.0 dB
NEXT @ 500 Mhz	100.7 dB
PS-NEXT @ 500 Mhz	97.7 dB
ACR @ 500 Mhz	60.1 dB
ACRF @ 500 Mhz	62.4 dB
PS-ACRF @ 500 Mhz	59.9 dB

- All above stated values are nominal and subject to changes.
- For more details on electrical properties please request for datasheet.

Ordering Information

SAP IC	UC P/N	Product Description	P.U
TBA	86075	UC 500 Cat 6a U/FTP 23 AWG, Individual pair foil, LSZH	500m/reel
TBA	86048	UC 500 Cat 6a U/FTP 23 AWG, Individual pair foil, LSRZH	500m/reel

UC500 23 Cat.6A F/FTP

Standard, Solid, LSZH



2.3. Cables

Construction

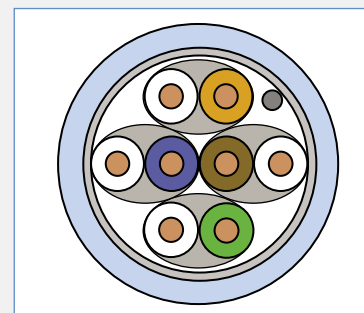
Conductor	Bare copper wire \varnothing 0.56 mm (AWG23/1)
Insulation	Foam PE , Nom. \varnothing 1.32 mm
Sheath	LSZH
Sheath Colour	Blue
Pair Screen	High Performance Individual Pair Screen
Overall Screen	Advanced aluminium laminated foil
Outer Diameter	Nom. 7.59 mm
Weight	Nom. 61.67 kg /km

Mechanical properties

Minimum bending radius without load	8 x Diameter
Minimum bending radius with load	8 x Diameter
Temperature range during operation	-10°C up to +60°C
Temperature range during installation	-10°C up to +60°C

Electrical properties at 20°C

DC Loop Resistance	$\leq 139 \Omega / \text{km}$
DC Resistance Unbalance	$\leq 0.1\%$
Insulation Resistance (2.5 kV in 2 sec)	$\geq 460,000 \text{ M}\Omega \cdot \text{km}$
Mutual Capacitance at 800 Hz	Nom. 43.6 nF/km
Capacitance Unbalance (pair to ground)	$\leq 460 \text{ pF/km}$
Mean Characteristic Impedance 100 MHz	$(100 \pm 10) \Omega$
Nominal Velocity of Propagation	Nom. 79 %
Propagation Delay	Nom. 455 ns /100m
Delay Skew	Nom. 4.6 ns /100m
Applied Voltage (d.c. , 2 sec) core/core and core/screen	Nom. 2.5 kV
Transfer Impedance	At 1 MHz; $\leq 20 \text{ m}\Omega / \text{m}$
	At 10 MHz; $\leq 50 \text{ m}\Omega / \text{m}$
	At 30 MHz; $\leq 100 \text{ m}\Omega / \text{m}$
Attenuation @500 Mhz	40.4 dB
NEXT @ 500 Mhz	83.1 dB
PS-NEXT @ 500 Mhz	81.2 dB
ACR @ 500 Mhz	43.1 dB
ACRF @ 500 Mhz	53.3 dB
PS-ACRF @ 500 Mhz	59.1 dB



Application

Primary (Campus)

Secondary (Riser)

Tertiary (Horizontal)

IEEE 802.3: 10Base-T; 100Base-T;

1000Base-T; 10GBase-T;

IEEE 802.5 16 MB; ISDN; TPDDI; ATM

IEEE 802.3af (PoE) ; IEEE 802.3at (PoE+)

Standards

ANSI TIA/EIA 568-C.2;

ISO/IEC 11801 2nd Ed.;IEC 61156-5 2nd Ed ;

EN 50173; EN 50288-3-1:2013

Fire Rating

PVC IEC 60332-1-2

LSZH IEC 60332-1-2 ; IEC 60754-1&2 ;

IEC 61034-2

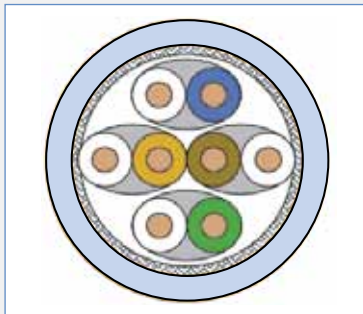
Ordering Information

SAP IC	UC P/N	Product Description	P.U
TBA	84075	UC 500 Cat 6a F/FTP 23 AWC, Individual pair foil, LSZH	500m/reel

2.3. Cables

UC500 23 Cat.6A S/FTP

Standard, Solid, LSZH



Construction

Conductor	Bare copper wire Ø 0.56 mm (AWG23/1)
Insulation	Foam PE , Nom. Ø 1.34 mm
Sheath	LSZH
Sheath Colour	Blue
Pair Screen	High Performance Individual Pair Screen
Overall Screen	Copper Braid tinned ; drain wire AWG26 tinned
Outer Diameter	Nom. 8.05 mm
Weight	Nom. 68.84 kg /km

Mechanical properties

Minimum bending radius without load	8 x Diameter
Minimum bending radius with load	8 x Diameter
Temperature range during operation	-10°C up to +60°C
Temperature range during installation	-10°C up to +60°C

Electrical properties at 20°C

DC Loop Resistance	≤ 139 Ω/km
DC Resistance Unbalance	≤ 0.1 %
Insulation Resistance (500 V)	≥ 460,000 MΩ*km
Mutual Capacitance at 800 Hz	Nom. 45.6 nF/km
Capacitance Unbalance (pair to ground)	≤ 200 pF/km
Mean Characteristic Impedance 100 MHz	(100 ± 10) Ω
Nominal Velocity of Propagation	Nom. 79 %
Propagation Delay	Nom. 465.5 ns/100m
Delay Skew	Nom. 5.3 ns/100m
Test Voltage (d.c ; 2 sec) core/core and core/screen	Nom. 2.5 kV
Transfer Impedence	At 1 MHz ; ≤ 20mΩ /m
	At 10 MHz ; ≤ 50mΩ /m
	At 30 MHz ; ≤ 100mΩ /m
Attenuation @500 Mhz	42.3 dB
NEXT @ 500 Mhz	91.2 dB
PS-NEXT @ 500 Mhz	87.3 dB
ACR @ 500 Mhz	49.2 dB
ACRF @ 500 Mhz	57.1 dB
PS-ACRF @ 500 Mhz	59.6 dB

Application

Primary (Campus)

Secondary (Riser)

Tertiary (Horizontal)

IEEE 802.3: 10Base-T; 100Base-T;

1000Base-T; 10GBase-T;

IEEE 802.5 16 MB; ISDN; TPDDI; ATM

IEEE 802.3af (PoE) ; IEEE 802.3at (PoE+)

Standards

ANSI TIA/EIA 568-C.2;

ISO/IEC 11801 2nd Ed.;

IEC 61156-5 2nd Ed ;

EN 50173; EN 50288-3-1:2013

Fire Rating

PVC IEC 60332-1-2

LSZH IEC 60332-1-2 ;

IEC 60754-1&2 ;

IEC 61034-2

LSFRZH IEC 60332-1-2 ;

IEC 60332-3-24

IEC 60754-1&2

IEC 61034-2

- All above stated values are nominal and subject to changes.
- For more details on electrical properties please request for datasheet.

Ordering Information

SAP IC	UC P/N	Product Description	P.U
TBA	85075	UC 500 Cat 6a S/FTP 23 AWG, Individual pair foil, 40% braid, LSZH	500m/reel
TBA	85048	UC 500 Cat 6a S/FTP 23 AWG, Individual pair foil, 40% braid, LSFRZH	500m/reel

UC900 HS23 Cat.7 S/FTP

Standard, Solid, LSZH



2.4. Cables

Construction

Conductor	Bare copper wire, Ø 0.56 mm (AWG 23)
Insulation	Foamskin PE, Ø 1.38 mm
Twisting	2 cores to the pair
Pair screen	Al-laminated plastic foil
Cable lay up	4 pairs (PiMF) to the core
Screen	Copper braid, tinned (ca. 40 % coverage)
Sheath	LSZH or LSRZSH, orange
Outer Diameter	Nom. 7.3mm
Weight	Nom. 54.5 kg /km

Mechanical properties

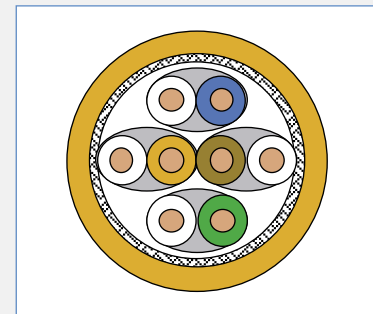
Bending radius	without load	≥ 30 mm
	with load	≥ 60 mm
Temperature range	during operation	-20°C to + 60°C
	during installation	0°C to + 50°C

Electrical properties at 20°C ± 5°C

Loop resistance		≤ 165 Ω/km	
Resistance unbalance		≤ 2%	
Insulation resistance	(500 V)	≥ 2000 MΩ*km	
Mutual capacitance	at 800 Hz	Nom. 43 nF/km	
Capacitance unbalance	(pair/ground)	≤ 1500 pF/km	
Characteristic impedance	(1-100 MHz)	(100 ± 5) Ω	
	(100 - 250) MHz	(100 ± 10) Ω	
	(250 - 600) MHz	(100 ± 15) Ω	
Nominal velocity of propagation		ca. 79 %	
Propagation delay		≤ 427 ns/100m	
Delay skew		≤ 12 ns/100m	
Test voltage	(DC, 1 min) core/core and core/screen	1000 V	
Transfer impedance	At 1 MHz	≤ 12 mΩ /m	Grade 2
	At 10 MHz	≤ 10 mΩ /m	Grade 2
	At 30 MHz	≤ 30 mΩ /m	Grade 2
Coupling attenuation		≥ 80 dB	Type 2
Segregation classification acc. EN 50174-2			„D“
Attenuation @1000 Mhz	63.1 dB		
NEXT @ 1000 Mhz	80.0 dB		
PS-NEXT @ 1000 Mhz	17.0 dB		
ACR @ 1000 Mhz	77.0 dB		
PS-ACR @ 1000 Mhz	14.0 dB		
PS-ACR-F @ 1000 Mhz	54.0 dB		

Ordering Information

SAP IC	UC P/N	Product Description	P.U
1001036	73075	UC 900 HS23 Cat.7 S/FTP, Individual pair foil, 40% braid, LSZH	500m/reel



Application

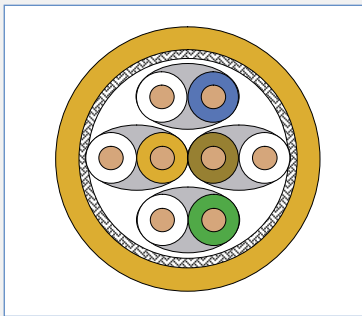
Primary (Campus)
 Secondary (Riser)
 Tertiary (Horizontal)
 IEEE 802.3: 10Base-T; 100Base-T;
 1000Base-T; 10GBase-T;
 IEEE 802.5 16 MB; ISDN; TPDDI; ATM
 Power over Ethernet PoE/PoE+
 IEEE 802.3af and IEEE 802.3at

Standards

ANSI TIA/EIA 568-C.2;
 ISO/IEC 11801 2nd Ed.;
 IEC 61156-5 2nd Ed ;
 EN 50173; EN 50288-3-1:2013

Fire Rating

PVC IEC 60332-1-2
 LSZH IEC 60332-1-2 ; IEC 60754-1&2 ;
 IEC 61034-2



Application

Primary (Campus)
Secondary (Riser)
Tertiary (Horizontal)
IEEE 802.3: 10Base-T; 100Base-T;
1000Base-T; 10GBase-T;
IEEE 802.5 16 MB; ISDN; TPDDI; ATM
Power over Ethernet PoE/PoE+
IEEE 802.3af and IEEE 802.3at

Standards

ANSI TIA/EIA 568-C.2;
ISO/IEC 11801 2nd Ed.;
IEC 61156-5 2nd Ed ;
EN 50173; EN 50288-3-1:2013

Fire Rating

PVC IEC 60332-1-2
LSZH IEC 60332-1-2 ;
IEC 60754-1&2 ;
IEC 61034-2
LSFRZH IEC 60332-1-2 ;
IEC 60332-3-24
IEC 60754-1&2
IEC 61034-2

UC900 SS23 Cat.7 S/FTP

Standard, Solid, LSZH



Construction

Conductor	Bare copper wire, Ø 0.56 mm (AWG23/1)
Insulation	Foamskin PE, Ø 1.38 mm
Twisting	2 cores to the pair
Pair screen	Al-laminated plastic foil
Cable lay up	4 pairs (PiMF) to the core
Screen	Copper braid, tinned
Sheath	LSZH or LSFRZH, orange
Outer Diameter	Nom. 7.5mm
Weight	Nom. 75 kg /km

Mechanical properties

Bending radius	without load	≥ 30 mm
	with load	≥ 60 mm
Temperature range	during operation	-20°C to + 60°C
	during installation	0°C to + 50°C

Electrical properties at 20°C ± 5°C

Loop resistance		≤ 165 Ω/km	
Resistance unbalance		≤ 2%	
Insulation resistance	(500 V)	≥ 2000 MΩ*km	
Mutual capacitance	at 800 Hz	Nom. 43 nF/km	
Capacitance unbalance	(pair/ground)	≤ 1500 pF/km	
Mean characteristic impedance	(1-100 MHz)	(100 ± 5) Ω	
Nominal velocity of propagation		ca. 79 %	
Propagation delay		≤ 427 ns/100m	
Delay skew		≤ 12 ns/100m	
Test voltage	(DC, 1 min) core/core and	1000 V	
	core/screen		
Transfer impedance	At 1 MHz	≤ 5 mΩ /m	Grade 1
	At 10 MHz	≤ 5 mΩ /m	Grade 1
	At 30 MHz	≤ 10 mΩ /m	Grade 1
Coupling attenuation		≥ 85 dB	Type 1
Segregation classification acc. EN 50174-2			„D“
Attenuation @1000 Mhz	63.1 dB		
NEXT @ 1000 Mhz	80.0 dB		
PS-NEXT @ 1000 Mhz	17.0 dB		
ACR @ 1000 Mhz	77.0 dB		
PS-ACR @ 1000 Mhz	14.0 dB		
PS-ACR-F @ 1000 Mhz	54.0 dB		

Ordering Information

SAP IC	UC P/N	Product Description	P.U
60011543	72075	UC 900 SS23 Cat.7 S/FTP, Individual pair foil, copper braid, LSZH	500m/reel
60015274	72048	UC 900 SS23 Cat.7 S/FTP, Individual pair foil, copper braid, LSFRZH	500m/reel

UC1200 HS23 Cat.7A S/FTP

Standard, Solid, LSZH



Construction

Conductor	Bare copper wire Ø 0.58 mm (AWG 23/1)
Insulation	Foamskin Polyethylene, Ø 1.4 mm
Twisting	2 cores to the pair
Pair screen	Al-laminated plastic foil
Cable lay up	4 pairs to the core
Screen	Copper braid, tinned
Sheath	Halogen free, flame retardant sheathing material; LSZH, melon yellow RAL 1028
Outer Diameter	Nom. 7.8mm
Weight	Nom. 59 kg /km

Mechanical properties

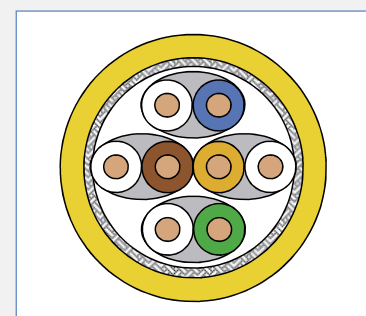
Bending radius	without load	≥ 35 mm
	with load	≥ 70 mm
Temperature range	during operation	-20°C to + 60°C
	during installation	0°C to + 50°C

Electrical properties at 20°C ± 5°C

Loop resistance		≤ 135 Ω/km	
Resistance unbalance		≤ 2%	
Insulation resistance	(500 V)	≥ 5000 MΩ*km	
Mutual capacitance	at 800 Hz	Nom. 43 nF/km	
Capacitance unbalance	(pair/ground)	≤ 1500 pF/km	
Mean characteristic impedance	@ 100 MHz	(100 ± 5) Ω	
Nominal velocity of propagation		ca. 76 %	
Propagation delay		439 ns/100m	
Delay skew		12 ns/100m	
Test voltage	(DC, 1 min) core/core and core/screen	1000 V	
Transfer impedance	At 1 MHz	≤ 12 mΩ /m	Grade 2
	At 10 MHz	≤ 10 mΩ /m	Grade 2
	At 30 MHz	≤ 30 mΩ /m	Grade 2
Coupling attenuation		≥ 80 dB	Type 2
Segregation classification acc. EN 50174-2			„D“
Attenuation @1200 Mhz	65.2 dB		
NEXT @ 1200 Mhz	82.0 dB		
PS-NEXT @ 1200 Mhz	79.0 dB		
ACR @ 1200 Mhz	17.0 dB		
PS-ACR @ 1200 Mhz	17.0 dB		
ACR-F @ 1200 Mhz	43.0 dB		
PS-ACR-F @ 1200 Mhz	41.0 dB		
Return Loss @ 1200 Mhz	15.0 dB		

Ordering Information

SAP IC	UC P/N	Product Description	P.U
60011415	95075	UC 1200 HS23 Cat.7A S/FTP, Individual pair foil, copper braid, LSZH	500m/reel
TBC	95048	UC 1200 HS23 Cat.7A S/FTP, Individual pair foil, copper braid, LSFZRZ	500m/reel



Application

Primary (Campus)
 Secondary (Riser)
 Tertiary (Horizontal)
 IEEE 802.3: 10Base-T; 100Base-T;
 1000Base-T; 10GBase-T;
 IEEE 802.5 16 MB; ISDN; TPDDI; ATM
 Power over Ethernet PoE/PoE+
 IEEE 802.3af and IEEE 802.3at

Standards

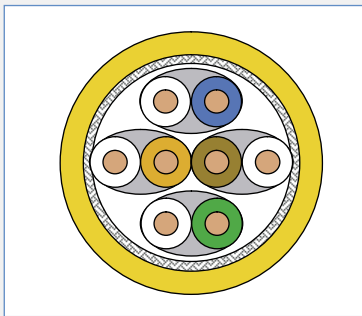
ANSI TIA/EIA 568-C.2;
 ISO/IEC 11801 2nd Ed.;
 IEC 61156-5 2nd Ed ;
 EN 50173; EN 50288-3-1:2013

Fire Rating

PVC IEC 60332-1-2
 LSZH IEC 60332-1-2 ; IEC 60754-1&2 ;
 IEC 61034-2
 LSFZRZ IEC 60332-1-2 ; IEC 60332-3-24
 IEC 60754-1&2 IEC 61034-2

UC1200 SS23 Cat.7A S/FTP

Standard, Solid, LSZH



Construction

Conductor	Bare copper wire Ø 0.58 mm (AWG23/1)
Insulation	Foam-Skin PE, Ø 1.4 mm
Twisting	2 cores to the pair
Pair screen	Al-laminated plastic foil around each pair
Cable lay up	4 pairs
Screen	Copper braid, tinned
Sheath	Halogen free, flame and fire retardant sheathing material: LSFZRH (LSFRZH), yellow, (RAL 1028)
Outer Diameter	Nom. 7.8mm
Weight	Nom. 68 kg /km

Application

Primary (Campus)
Secondary (Riser)
Tertiary (Horizontal)
IEEE 802.3: 10Base-T; 100Base-T;
1000Base-T; 10GBase-T;
IEEE 802.5 16 MB; ISDN; TPDDI; ATM
Power over Ethernet PoE/PoE+
IEEE 802.3af and IEEE 802.3at

Standards

ANSI TIA/EIA 568-C.2;
ISO/IEC 11801 2nd Ed.;
IEC 61156-5 2nd Ed ;
EN 50173; EN 50288-3-1:2013

Fire Rating

PVC IEC 60332-1-2
LSZH IEC 60332-1-2 ;
IEC 60754-1&2 ;
IEC 61034-2

Mechanical properties

Bending radius	without load	4 x D
	with load	8 x D
Temperature range	during operation	-20°C to + 60°C
	during installation	0°C to + 50°C

Electrical properties at 20°C ± 5°C

Loop resistance		≤ 135 Ω/km	
Resistance unbalance		≤ 2%	
Insulation resistance	(500 V)	≥ 5000 MΩ*km	
Mutual capacitance	at 800 Hz	Nom. 43 nF/km	
Capacitance unbalance	(pair/ground)	≤ 1500 pF/km	
Mean characteristic impedance	@ 100 MHz	(100 ± 5) Ω	
Nominal velocity of propagation		ca. 76 %	
Propagation delay		439 ns/100m	
Delay skew		12 ns/100m	
Test voltage	(DC, 1 min) core/core and	1000 V	
	core/screen		
Transfer impedance	At 1 MHz	≤ 5 mΩ /m	Grade 1
	At 10 MHz	≤ 5 mΩ /m	Grade 1
	At 30 MHz	≤ 10 mΩ /m	Grade 1
Coupling attenuation		≥ 85 dB	Type 1
Segregation classification acc. EN 50174-2			„D“
Attenuation @1200 Mhz	65.2 dB		
NEXT @ 1200 Mhz	82.0 dB		
PS-NEXT @ 1200 Mhz	79.0 dB		
ACR @ 1200 Mhz	17.0 dB		
PS-ACR @ 1200 Mhz	14.0 dB		
PS-ACR-F @ 1200 Mhz	40.0 dB		

Ordering Information

SAP IC	UC P/N	Product Description	P.U
60015755	92048	UC 1200 SS23 Cat.7A S/FTP, Individual pair foil, copper braid, LSFZRH	500m/reel

UC1500 HS22 Cat.7A S/FTP

Standard, Solid, LSZH



2.5. Cables

Construction

Conductor	Bare copper wire Ø 0.62 mm (AWG22/1)
Insulation	Foam-Skin Polyethylene, Ø 1.5 mm
Twisting	2 cores to the pair
Pair screen	Al-laminated plastic foil around each pair
Cable lay up	4 pairs
Screen	Copper braid, tinned
Sheath	Halogen free, flame or fire retardant sheathing material; LSZH melon yellow RAL 1028 Duplex design with divider
Outer Diameter	Nom. 8.3mm
Weight	Nom. 62 kg /km

Mechanical properties

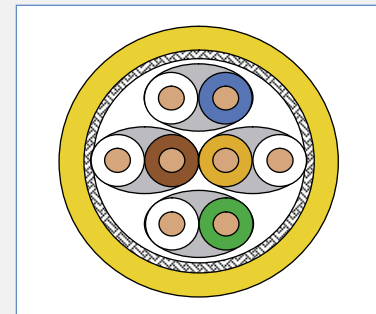
Bending radius	without load	≥ 30 mm
	with load	≥ 70 mm
Temperature range	during operation	-20°C to + 60°C
	during installation	0°C to + 50°C

Electrical properties at 20°C ± 5°C

Loop resistance		≤ 128 Ω/km	
Resistance unbalance		≤ 2%	
Insulation resistance	(500 V)	≥ 5000 MΩ*km	
Mutual capacitance	at 800 Hz	Nom. 43 nF/km	
Capacitance unbalance	(pair/ground)	≤ 1500 pF/km	
Characteristic impedance	@ 100 MHz	100 ± 5 Ω	
Nominal velocity of propagation		79 %	
Propagation delay		≤ 450 ns/100m	
Delay skew		≤ 15 ns/100m	
Transfer impedance	At 1 MHz	≤ 12 mΩ /m	Grade 2
	At 10 MHz	≤ 10 mΩ /m	Grade 2
	At 30 MHz	≤ 30 mΩ /m	Grade 2
Coupling attenuation		≥ 80 dB	Type 2
Segregation classification acc. EN 50174-2			„D“
Attenuation @1500 Mhz	64.1 dB		
NEXT @ 1500 Mhz	80.0 dB		
PS-NEXT @ 1500 Mhz	77.0 dB		
ACR @ 1500 Mhz	16.0 dB		
PS-ACR @ 1500 Mhz	13.0 dB		
PS-ACR-F @ 1500 Mhz	25.0 dB		

Ordering Information

SAP IC	UC P/N	Product Description	P.U
60022022	97075	UC 1500 HS22 Cat.7A S/FTP, Individual pair foil, copper braid, LSZH	500m/reel
60013297	97048	UC 1500 HS22 Cat.7A S/FTP, Individual pair foil, copper braid, LSFRZH	500m/reel



Application

Primary (Campus)
Secondary (Riser)
Tertiary (Horizontal)
IEEE 802.3: 10Base-T; 100Base-T;
1000Base-T; 10GBase-T;
IEEE 802.5 16 MB; ISDN; TPDDI; ATM
Power over Ethernet PoE/PoE+
IEEE 802.3af and IEEE 802.3at

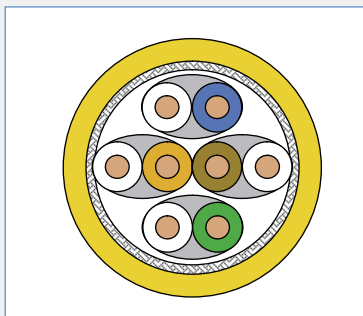
Standards

ANSI TIA/EIA 568-C.2;
ISO/IEC 11801 2nd Ed.;
IEC 61156-5 2nd Ed ;
EN 50173; EN 50288-3-1:2013

Fire Rating

LSZH IEC 60332-1-2 ; IEC 60754-1&2 ;
IEC 61034-2
LSFRZH IEC 60332-1-2 ; IEC 60332-3-24
IEC 60754-1&2 IEC 61034-2

2.5. Cables



Application

Primary (Campus)
Secondary (Riser)
Tertiary (Horizontal)
IEEE 802.3: 10Base-T; 100Base-T;
1000Base-T; 10GBase-T;
IEEE 802.5 16 MB; ISDN; TPDDI; ATM
Power over Ethernet PoE/PoE+
IEEE 802.3af and IEEE 802.3at

Standards

ANSI TIA/EIA 568-C.2;
ISO/IEC 11801 2nd Ed.;
IEC 61156-5 2nd Ed ;
EN 50173; EN 50288-3-1:2013

Fire Rating

LSZH IEC 60332-1-2 ;
IEC 60754-1&2 ;
IEC 61034-2
LSFRZH IEC 60332-1-2 ;
IEC 60332-3-24
IEC 60754-1&2
IEC 61034-2

UC1500 SS22 Cat.7A S/FTP

Standard, Solid, LSZH



Construction

Conductor	Bare copper wire Ø 0.64 mm (AWG22/1)
Insulation	PE, Ø 1.6 mm
Twisting	2 cores to the pair
Pair screen	4 pairs
Cable lay up	Al-laminated plastic foil around each pair
Screen	Copper braid, tinned Ø 7.0mm
Sheath	Halogen free, fire retardant sheathing material; LSFRZH, melon yellow RAL 1028
Outer Diameter	Nom. 8.5mm
Weight	Nom. 73 kg /km

Mechanical properties

Bending radius	without load	4 x D
	with load	8 x D
Temperature range	during operation	-20°C to + 60°C
	during installation	0°C to + 50°C

Electrical properties at 20°C ± 5°C

Loop resistance		≤ 110 Ω/km	
Resistance unbalance		≤ 2%	
Insulation resistance	(500 V)	≥ 5000 MΩ*km	
Mutual capacitance	at 800 Hz	Nom. 43 nF/km	
Capacitance unbalance	(pair/ground)	≤ 1200 pF/km	
Mean characteristic impedance	@ 100 MHz	100 ± 5 Ω	
Nominal velocity of propagation		79 %	
Propagation delay		450 ns/100m	
Delay skew		15 ns/100m	
Transfer impedance	At 1 MHz	≤ 5 mΩ /m	Grade 1
	At 10 MHz	≤ 5 mΩ /m	Grade 1
	At 30 MHz	≤ 10 mΩ /m	Grade 1
Coupling attenuation		≥ 85 dB	Type 1
Segregation classification acc. EN 50174-2			„D“
Attenuation @1500 Mhz	64.1 dB		
NEXT @ 1500 Mhz	80.0 dB		
PS-NEXT @ 1500 Mhz	77.0 dB		
ACR @ 1500 Mhz	16.0 dB		
PS-ACR @ 1500 Mhz	13.0 dB		
PS-ACR-F @ 1500 Mhz	25.0 dB		

Ordering Information

SAP IC	UC P/N	Product Description	P.U
60015807	94048	UC 1500 SS22 Cat.7A S/FTP, Individual pair foil, copper braid, LSFRZH	500m/reel

UC^{FUTURE} COMPACT22 Cat8.2 S/FTP 2000MHz

Standard, Solid, LSFRZH



Construction

Conductor	Bare copper wire Ø 0.64 mm (AWG22)
Insulation	Foam-Skin Polyethylen, Ø 1.6 mm
Twisting	2 cores to the pair
Cable lay up	4 pairs
Pair screen	Al-laminated plastic foil around each pair
Overall screen	Copper braid, tinned
Sheath	Halogen free, fire retardant sheathing material; LSFRZH acc. EN50289-2-27, yellow RAL 1021
Outer diameter	Nom. 8.5 mm
Weight	Nom. 80 kg/km
Tensile force	340

Mechanical properties

Bending radius	Installation	4 x D
	Installed	8 x D
Temperature range	During operation	-20°C to + 60°C
	During installation	0°C to + 50°C

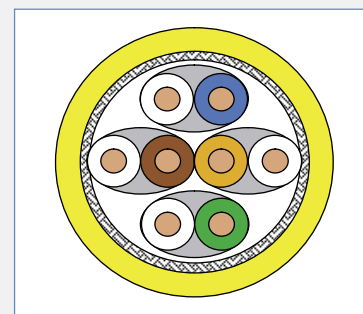
Electrical properties

DC loop resistance		≤ 130 Ω/km	
Resistance unbalance		≤ 1%	
Insulation resistance	(500 V)	≥ 5000 MΩ*km	
Capacitance	at 800 Hz	Nom. 43 nF/km	
Capacitance unbalance	(pair/ground)	≤ 1200 pF/km	
Mean Characteristic impedance	@ 100 MHz	100 ± 5 Ω	
Nominal velocity of propagation		Nom. 73%	
Delay skew		20 ns/100 m	
Transfer impedance	At 1 MHz	5 mΩ / m	Grade 1
	At 10 MHz	5 mΩ / m	Grade 1
	At 30 MHz	10 mΩ / m	Grade 1
	At 100 MHz	20 mΩ / m	Grade 1
Coupling attenuation		85 dB	Type 2
Segregation classification acc. EN 50174-2			„D“
Attenuation @2000 Mhz	88.4 dB		
NEXT @ 2000 Mhz	70.0 dB		
PS-NEXT @ 2000 Mhz	69.0 dB		
ACR @ 2000 Mhz	-18.4 dB		
PS-ACR-F @ 2000 Mhz	47.0 dB		

Ordering Information

SAP IC	UC P/N	Product Description	P.U
60030331	98048	UC ^{FUTURE} COMPACT22 Cat.8.2 S/FTP 4P 2000MHz LSFRZH	500m/reel

2.6.Cables



Application

Primary (Campus)
Secondary (Riser)
Tertiary (Horizontal)
IEEE 802.3: 10Base-T; 100Base-T;
1000Base-T; 10GBase-T;
IEEE 802.5 16 MB; ISDN; TPDDI; ATM
Power over Ethernet PoE/PoE+
IEEE 802.3af and IEEE 802.3at

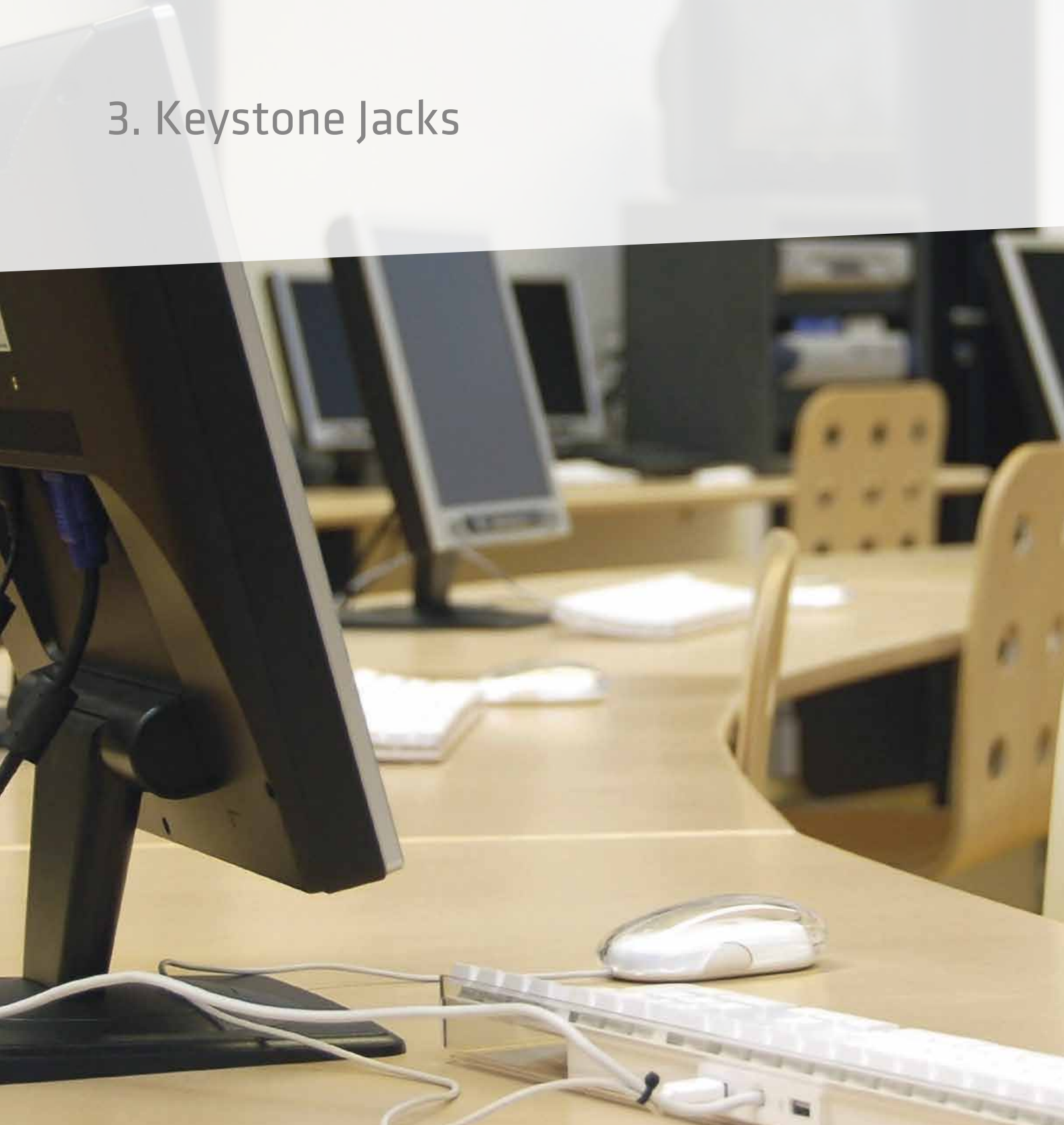
Standards

ANSI TIA/EIA 568-C.2;
ISO/IEC 11801 2nd Ed.;
IEC 61156-5 2nd Ed ;
EN 50173; EN 50288-3-1:2013

Fire Rating

LSFRZH IEC 60332-1-2 ; IEC 60332-3-24
IEC 60754-1&2 IEC 61034-2

3. Keystone Jacks



UC C300 MJ TS U BU

Keystone Jack, Cat.5e, RJ45, UTP, 180°, Tool Fast, Blue



3.1 Keystone Jacks

Specification

Item	Description
RJ45 Housing	ABS+PC, UL94V0
Contacts and IDC	Phosphor bronze
Contact Surface Finish	50u" gold plated over contact area
IDC Surface Finish	Tin plated
IDC Housing	PC, UL94V0
PCB	FR4 94V0



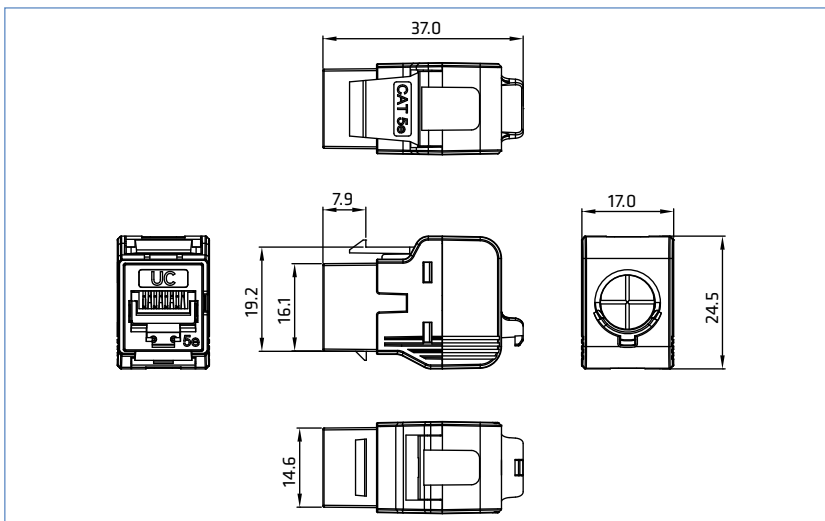
Performance

Item	Description
Wiring	TIA 568 A/B
Insertion Force	<=30N
Plug Insertion Life	800 times insertion (RJ45)
Re-Termination	10 Cycles
Wire Size Capability	24 ~ 26 AWG solid wire

- Category 5e hardware compliant performance.
- ToolFast Technology, reduces up to 40% termination time.
- High Density Design provides optimize usage of rack space.
- Requires ToolFast P/N CJ9240.
- Component level tested.
- RoHS Compliant.

Standards

ANSI TIA/EIA 568-C.2;
ISO/IEC 11801 2nd Ed.;
IEC 60603-7-[4,5];
EN 50173-1;
EN 50173-2



Ordering Information

SAP IC	UC P/N	UC Material Code	Product Description	P.U
YMJBP00335	MJTR9660	UC C300 MJ TS U BU	Keystone Jack, Cat.5e, RJ45, UTP, 180°, Tool Fast, Blue	1pc/bag

3.1 Keystone Jacks



- Category 5e hardware compliant performance.
- ToolFast Technology, reduces up to 40% termination time.
- High Density Design provides optimize usage of rack space.
- Requires ToolFast P/N CJ9240.
- Component level tested.
- RoHS Compliant.

Standards

ANSI TIA/EIA 568-C.2;
ISO/IEC 11801 2nd Ed.;
IEC 60603-7-[4,5];
EN 50173-1;
EN 50173-2

UC C300 MJ TS S

Keystone Jack, Cat.5e, RJ45, FTP, 180°, Tool Fast, Shielded

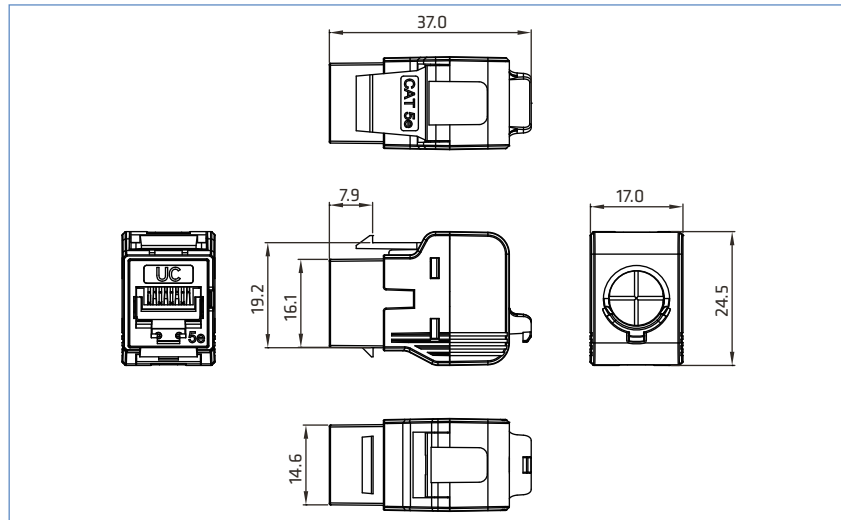


Specification

Item	Description
RJ45 Housing	Metalized ABS
Contacts and IDC	Phosphor bronze
Contact Surface Finish	50u" gold plated over contact area
IDC Surface Finish	Tin plated
IDC Housing	PC, UL94V0
PCB	FR4 94V0

Performance

Item	Description
Wiring	TIA 568 A/B
Insertion Force	<=30N
Plug Insertion Life	800 times insertion (RJ45)
Re-Termination	10 Cycles
Wire Size Capability	24 ~ 26 AWG solid wire



Ordering Information

SAP IC	UC P/N	UC Material Code	Product Description	P.U
YMJBP00336	MJTR9661	UC C300 MJ TS S	Keystone Jack, Cat.5e, RJ45, FTP, 180°, Tool Fast, Shielded	1pc/bag

UC C300 MJ TR U WH V1/ BK V1

Keystone Jack, Cat. 5e, RJ45, UTP, 180°, Punch-down, White/ Black



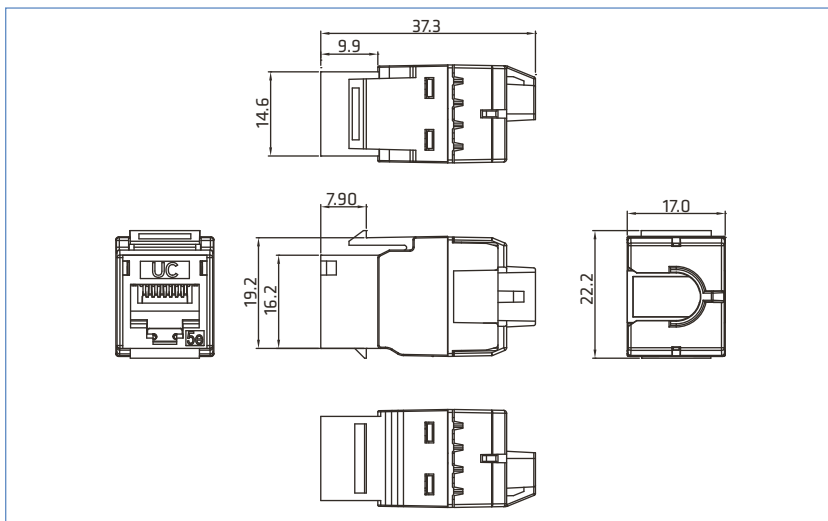
3.1 Keystone Jacks

Specification

Item	Description
RJ45 Housing	ABS+PC, UL94V0
Contacts and IDC	Phosphor bronze
Contact Surface Finish	50u" gold plated over contact area
IDC Surface Finish	Tin plated
IDC Housing	PC, UL94V0
PCB	FR4 94V0

Performance

Item	Description
Wiring	TIA 568 A/B
IDC Type	110
Insertion Force	<=30N
Plug Insertion Life	800 times insertion (RJ45)
Wire Size Capability	24 ~ 26 AWG solid wire



- Category 5e hardware compliant performance.
- High Density Design provides optimize usage of rack space.
- Requires Punch-down Tool P/N CJ9340.
- Component level tested.
- RoHS Compliant.

Standards

ANSI TIA/EIA 568-C.2;
ISO/IEC 11801 2nd Ed.;
IEC 60603-7-[4,5];
EN 50173-1;
EN 50173-2

Ordering Information

SAP IC	UC P/N	UC Material Code	Product Description	P.U
YMJB01563	MJTR8660W	UC C300 MJ TR U WH V1	Keystone Jack, Cat. 5e, RJ45, UTP, 180°, Punch-down, White	1pc/bag
YMJB01564	MJTR8660B	UC C300 MJ TR U BK V1	Keystone Jack, Cat. 5e, RJ45, UTP, 180°, Punch-down, Black	1pc/bag

3.1 Keystone Jacks



- Category 5e hardware compliant performance.
- Tool-free termination.
- High Density Design provides optimize usage of rack space.
- Component level tested.
- RoHS Compliant.

Standards

ANSI TIA/EIA 568-C.2;
ISO/IEC 11801 2nd Ed.;
IEC 60603-7-[4,5];
EN 50173-1;
EN 50173-2

UC C300 KJ TF U WH V1/ BK V1

Keystone Jack, Cat.5e, RJ45, UTP, 90° Tool Free, White/ Black

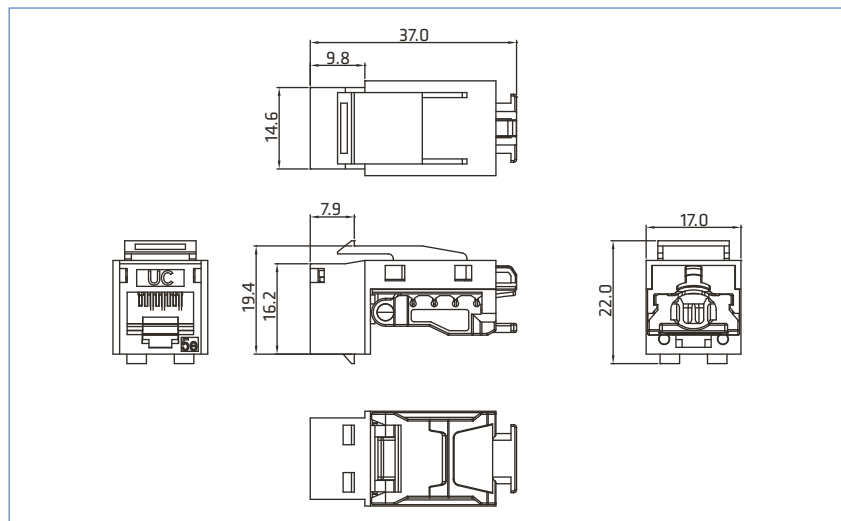


Specification

Item	Description
RJ45 Housing	ABS+PC, UL94V0
Contacts and IDC	Phosphor bronze
Contact Surface Finish	50u" gold plated over contact area
IDC Surface Finish	Tin plated
IDC Housing	PC, UL94V0
PCB	FR4 94V0

Performance

Item	Description
Wiring	TIA 568 B
Insertion Force	<=30N
Plug Insertion Life	800 times insertion (RJ45)
Wire Size Capability	24 ~ 26 AWG solid wire



Ordering Information

SAP IC	UC P/N	UC Material Code	Product Description	P.U
YKJBP01007	KJTF1250W	UC C300 KJ TF U WH V1	Keystone Jack, Cat.5e, RJ45, UTP, 90° Tool Free, White	1pc/bag
YKJBP01008	KJTF1250B	UC C300 KJ TF U BK V1	Keystone Jack, Cat.5e, RJ45, UTP, 90° Tool Free, Black	1pc/bag

UC C300 MJ TF U WH V1/ BK V1

Keystone Jack, Cat. 5e, RJ45, UTP, 180°, Tool Free, White/ Black



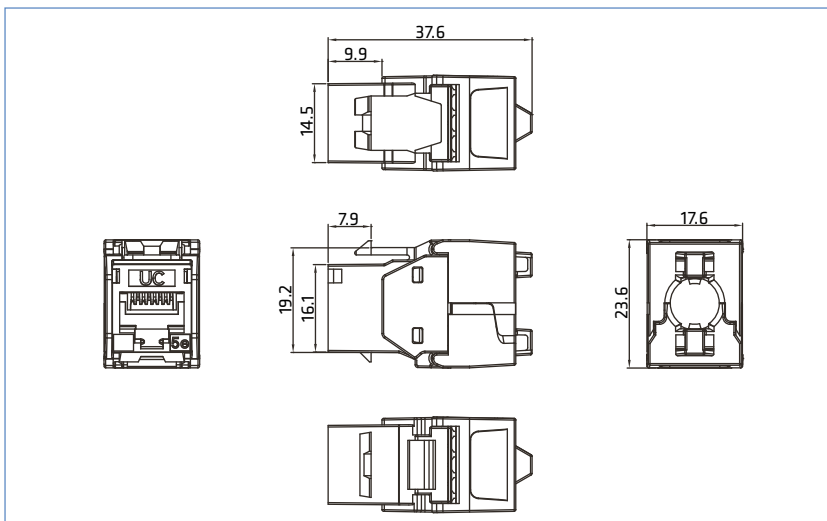
3.1 Keystone Jacks

Specification

Item	Description
RJ45 Housing	ABS+PC, UL94V0
Contacts and IDC	Phosphor bronze
Contact Surface Finish	50u" gold plated over contact area
IDC Surface Finish	Tin plated
IDC Housing	PC, UL94V0
PCB	FR4 94V0

Performance

Item	Description
Wiring	TIA 568 A/B
Insertion Force	<=30N
Plug Insertion Life	800 times insertion (RJ45)
Wire Size Capability	24 ~ 26 AWG solid wire



- Category 5e hardware compliant performance.
- Tool-free termination.
- High Density Design provides optimize usage of rack space.
- Component level tested.
- RoHS Compliant.

Standards

ANSI TIA/EIA 568-C.2;
ISO/IEC 11801 2nd Ed.;
IEC 60603-7-[4,5];
EN 50173-1;
EN 50173-2

Ordering Information

SAP IC	UC P/N	UC Material Code	Product Description	P.U
YMJB01565	MJTF1252W	UC C300 MJ TF U WH V1	Keystone Jack, Cat. 5e, RJ45, UTP, 180°, Tool Free, White	1pc/bag
YMJB01566	MJTF1252B	UC C300 MJ TF U BK V1	Keystone Jack, Cat. 5e, RJ45, UTP, 180°, Tool Free, Black	1pc/bag

3.2 Keystone Jacks



- Category 6 hardware compliant performance.
- ToolFast Technology, reduces up to 40% termination time.
- High Density Design provides optimize usage of rack space.
- Requires ToolFast P/N CJ9240.
- Component level tested.
- RoHS Compliant.

Standards

ANSI TIA/EIA 568-C.2;
ISO/IEC 11801 2nd Ed.;
IEC 60603-7-[4,5];
EN 50173-1;
EN 50173-2

UC C400 MJ TS U BU

Keystone Jack, Cat.6, RJ45, UTP, 180°, Tool Fast, Blue

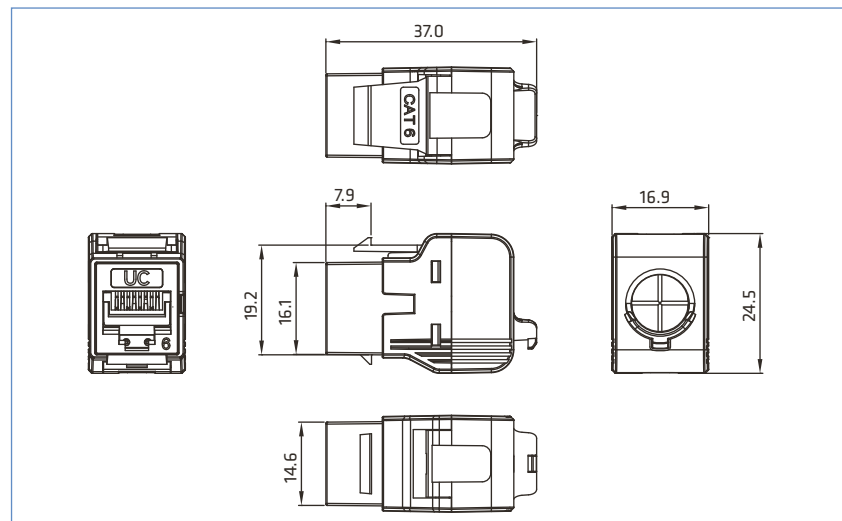


Specification

Item	Description
RJ45 Housing	ABS+PC, UL94V0
Contacts and IDC	Phosphor bronze
Contact Surface Finish	50u" gold plated over contact area
IDC Surface Finish	Tin plated
IDC Housing	PC, UL94V0
PCB	FR4 94V0

Performance

Item	Description
Wiring	TIA 568 A/B
Insertion Force	<=30N
Plug Insertion Life	800 times insertion (RJ45)
Re-Termination	10 Cycles
Wire Size Capability	22 ~ 26 AWG solid wire



Ordering Information

SAP IC	UC P/N	UC Material Code	Product Description	P.U
YMJB00337	MJTR9667	UC C400 MJ TS U BU	Keystone Jack, Cat.6, RJ45, UTP, 180°, Tool Fast, Blue	1pc/bag

UC C400 MJ TS S

Keystone Jack, Cat.6, RJ45, FTP, 180°, Tool Fast, Shielded

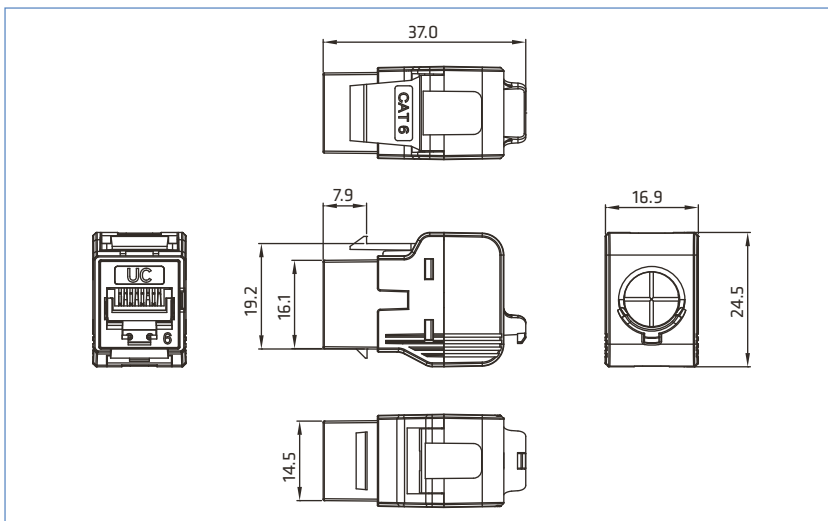


Specification

Item	Description
RJ45 Housing	Metalized ABS
Contacts and IDC	Phosphor bronze
Contact Surface Finish	50u" gold plated over contact area
IDC Surface Finish	Tin plated
IDC Housing	PC, UL94V0
PCB	FR4 94V0

Performance

Item	Description
Wiring	TIA 568 A/B
Insertion Force	<=30N
Plug Insertion Life	800 times insertion (RJ45)
Re-Termination	10 Cycles
Wire Size Capability	22 ~ 26 AWG solid wire



- Category 6 hardware compliant performance.
- ToolFast Technology, reduces up to 40% termination time.
- High Density Design provides optimize usage of rack space.
- Requires ToolFast P/N CJ9240.
- Component level tested.
- RoHS Compliant.

Standards

ANSI TIA/EIA 568-C.2;
ISO/IEC 11801 2nd Ed.;
IEC 60603-7-[4,5];
EN 50173-1;
EN 50173-2

Ordering Information

SAP IC	UC P/N	UC Material Code	Product Description	P.U
YMJB00338	MJTR9669	UC C400 MJ TS S	Keystone Jack, Cat.6, RJ45, FTP, 180°, Tool Fast, Shielded	1pc/bag

3.2 Keystone Jacks

UC C400 MJ TR U WH V1/ BK V1

Keystone Jack, Cat.6, RJ45, UTP, 180° Punch-down, Tool, Solid White/ Black



- Category 6 hardware compliant performance.
- High Density Design provides optimize usage of rack space.
- Requires Punch-down Tool P/N CJ9340.
- Component level tested.
- RoHS Compliant.

Standards

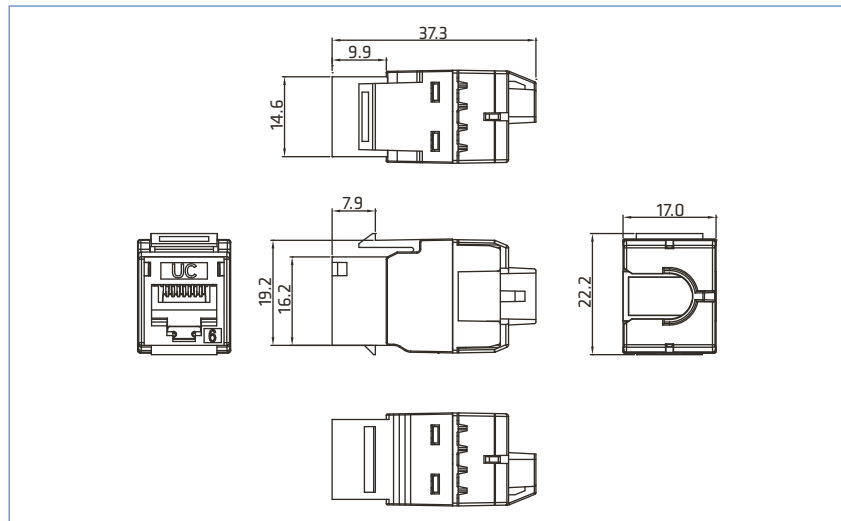
ANSI TIA/EIA 568-C.2;
ISO/IEC 11801 2nd Ed.;
IEC 60603-7-[4,5];
EN 50173-1;
EN 50173-2

Specification

Item	Description
RJ45 Housing	ABS+PC, UL94V0
Contacts and IDC	Phosphor bronze
Contact Surface Finish	50u" gold plated over contact area
IDC Surface Finish	Tin plated
IDC Housing	PC, UL94V0
PCB	FR4 94V0

Performance

Item	Description
Wiring	TIA 568 A/B
IDC Type	110
Insertion Force	<=30N
Plug Insertion Life	800 times insertion (RJ45)
Wire Size Capability	24 ~ 26 AWG solid wire



Ordering Information

SAP IC	UC P/N	UC Material Code	Product Description	P,U
YMJBPO1567	MJTR8667W	UC C400 MJ TR U WH V1	Keystone Jack, Cat.6, RJ45, UTP, 180° Punch-down, Tool, Solid White	1pc/bag
YMJBPO1568	MJTR8667B	UC C400 MJ TR U BK V1	Keystone Jack, Cat.6, RJ45, UTP, 180° Punch-down, Tool, Solid Black	1pc/bag

UC C400 KJ TF U WH V1/ BK V1

Keystone Jack, Cat.6, RJ45, UTP, 90° Tool Free, Solid White/ Black



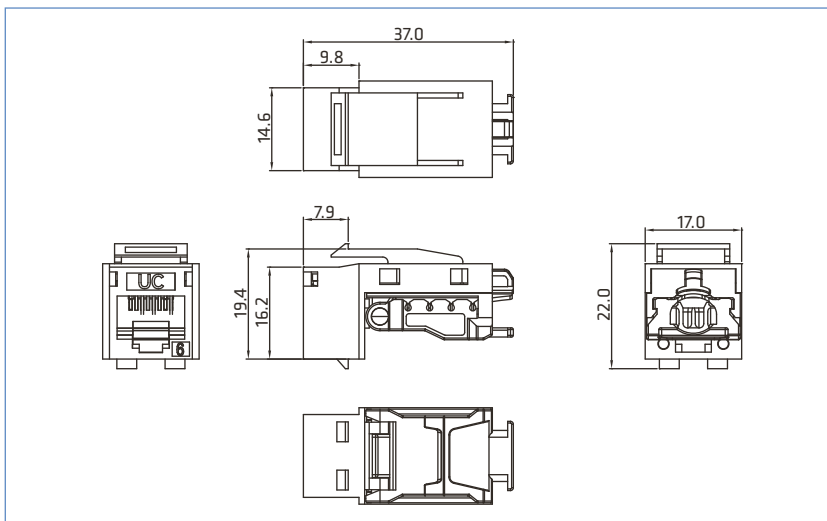
3.2 Keystone Jacks

Specification

Item	Description
RJ45 Housing	ABS+PC, UL94V0
Contacts and IDC	Phosphor bronze
Contact Surface Finish	50u" gold plated over contact area
IDC Surface Finish	Tin plated
IDC Housing	PC, UL94V0
PCB	FR4 94V0

Performance

Item	Description
Wiring	TIA 568 B
Insertion Force	<=30N
Plug Insertion Life	800 times insertion (RJ45)
Wire Size Capability	22 - 26 AWG solid wire



- Category 6 hardware compliant performance.
- Tool-free termination.
- High Density Design provides optimize usage of rack space.
- Component level tested.
- RoHS Compliant.

Standards

ANSI TIA/EIA 568-C.2;
ISO/IEC 11801 2nd Ed.;
IEC 60603-7-[4,5];
EN 50173-1;
EN 50173-2

Ordering Information

SAP IC	UC P/N	UC Material Code	Product Description	P.U
YKJBP01009	KJTf1264W	UC C400 KJ TF U WH V1	Keystone Jack, Cat.6, RJ45, UTP, 90° Tool Free, Solid White	1pc/bag
YKJBP01010	KJTf1264B	UC C400 KJ TF U BK V1	Keystone Jack, Cat.6, RJ45, UTP, 90° Tool Free, Solid Black	1pc/bag

3.2 Keystone Jacks

UC C400 MJ TF U WH V1/ BK V1

Keystone Jack, Cat.6, RJ45, UTP, 180° Tool Free, Solid White/ Black



- Category 6 hardware compliant performance.
- Tool-free termination.
- High Density Design provides optimize usage of rack space.
- Component level tested.
- RoHS Compliant.

Standards

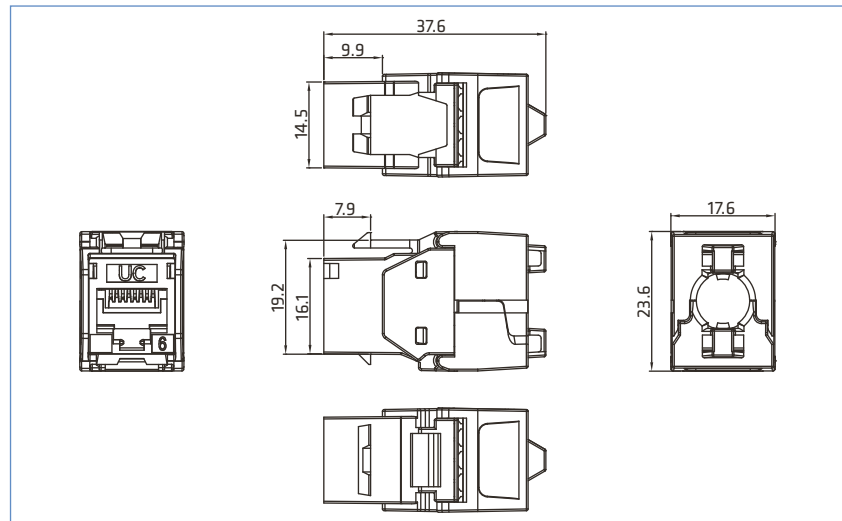
ANSI TIA/EIA 568-C.2;
ISO/IEC 11801 2nd Ed.;
IEC 60603-7-[4,5];
EN 50173-1;
EN 50173-2

Specification

Item	Description
RJ45 Housing	ABS+PC, UL94V0
Contacts and IDC	Phosphor bronze
Contact Surface Finish	50u" gold plated over contact area
IDC Surface Finish	Tin plated
IDC Housing	PC, UL94V0
PCB	FR4 94V0

Performance

Item	Description
Wiring	TIA 568 A/B
Insertion Force	<=30N
Plug Insertion Life	800 times insertion (RJ45)
Wire Size Capability	22 ~ 26 AWG solid wire



Ordering Information

SAP IC	UC P/N	UC Material Code	Product Description	P.U
YMJBPO1569	MJTF1262W	UC C400 MJ TF U WH V1	Keystone Jack, Cat.6, RJ45, UTP, 180° Tool Free, Solid White	1pc/bag
YMJBPO1570	MJTF1262B	UC C400 MJ TF U BK V1	Keystone Jack, Cat.6, RJ45, UTP, 180° Tool Free, Solid Black	1pc/bag

UC C500 MJ TR S V5

Keystone Jack, Cat. 6A, RJ45, FTP, 180°, Tool Fast, Shielded



Specification

Item	Description
RJ45 Housing	Zinc Alloy with nickel plated
Contacts and IDC	Phosphor bronze
Contact Surface Finish	50u" gold plated over contact area
IDC Surface Finish	Tin plated
IDC Housing	PC, UL94V0
PCB	FR4 94V0

Performance

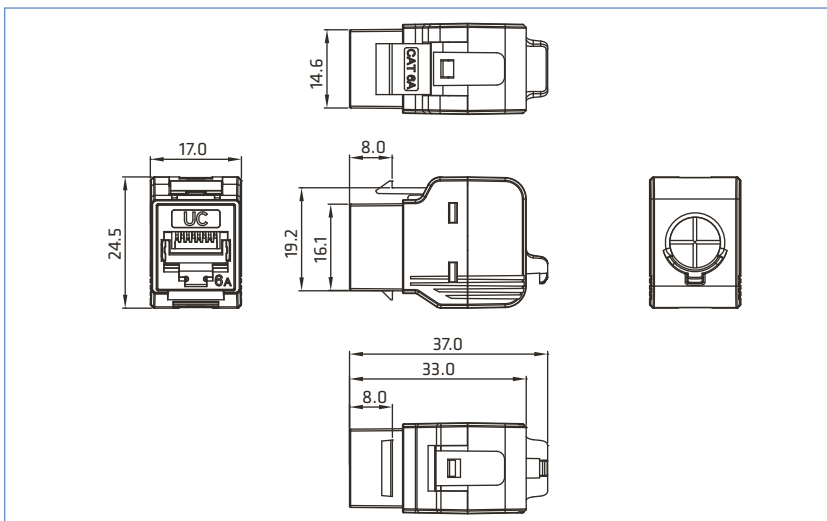
Item	Description
Wiring	TIA 568 A/B
Insertion Force	<=30N
Plug Insertion Life	800 times insertion (RJ45)
Re-Termination	10 Cycles
Wire Size Capability	22 ~ 26 AWG solid wire



- Category 6A hardware compliant performance.
- Zinc Alloy housing provides 100% EMC and Alien Crosstalk protection.
- ToolFast Technology, reduces up to 40% termination time.
- High Density Design provides optimize usage of rack space.
- Requires ToolFast P/N CJ9240.
- Component level tested.
- RoHS Compliant.

Standards

ANSI TIA/EIA 568-C.2;
ISO/IEC 11801 2nd Ed.;
IEC 60603-7-[4,5];
EN 50173-1;
EN 50173-2



Ordering Information

SAP IC	UC P/N	UC Material Code	Product Description	P.U
YMJBPO0340	MJTR9214	UC C500 MJ TR S V5	Keystone Jack, Cat. 6a, RJ45, FTP, 180°, Tool Fast, Shielded	1pc/bag

3.3 Keystone Jacks



- Category 6A hardware compliant performance.
- Tool-free termination.
- High Density Design provides optimize usage of rack space.
- Component level tested.
- RoHS Compliant.

Standards

ANSI TIA/EIA 568-C.2;
ISO/IEC 11801 2nd Ed.;
IEC 60603-7-[4,5];
EN 50173-1;
EN 50173-2

UC C500 MJ TF U BL

Keystone Jack, Cat.6A, RJ45, UTP, 180° Tool Free, White

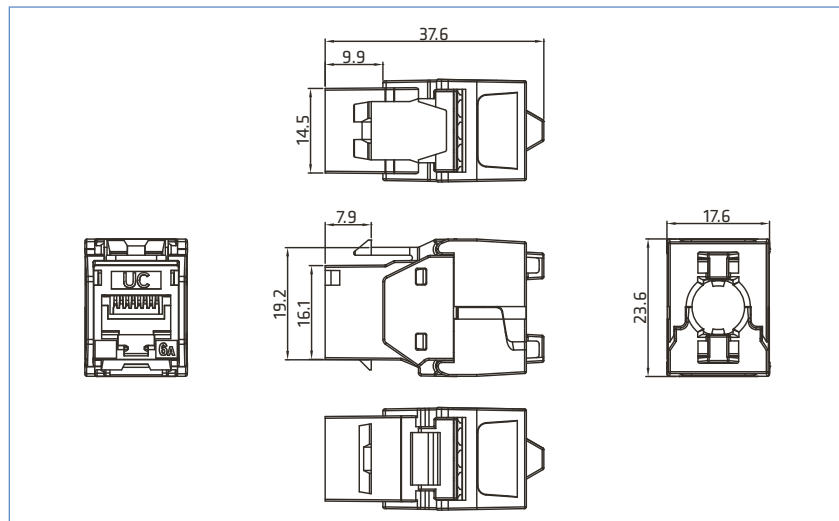


Specification

Item	Description
RJ45 Housing	ABS+PC, UL94V0
Contacts and IDC	Phosphor bronze
Contact Surface Finish	50u" gold plated over contact area
IDC Surface Finish	Tin plated
IDC Housing	PC, UL94V0
PCB	FR4 94V0

Performance

Item	Description
Wiring	TIA 568 A/B
Insertion Force	<=30N
Plug Insertion Life	800 times insertion (RJ45)
Wire Size Capability	22 ~ 26 AWG solid wire



Ordering Information

SAP IC	UC P/N	UC Material Code	Product Description	P.U
YMJB01571	MJTF1270	UC C500 MJ TF U BL	Keystone Jack, Cat.6a, RJ45, UTP, 180° Tool Free, White	1pc/bag

UC C500 MJ TF S V6

Keystone Jack, Cat. 6A, RJ45, FTP, 180° Tool Free, Shielded



3.3 Keystone Jacks

Specification

Item	Description
RJ45 Housing	Zinc Alloy with nickel plated
Contacts and IDC	Phosphor bronze
Contact Surface Finish	50u" gold plated over contact area
IDC Surface Finish	Tin plated
IDC Housing	PC, UL94V0
PCB	FR4 94V0



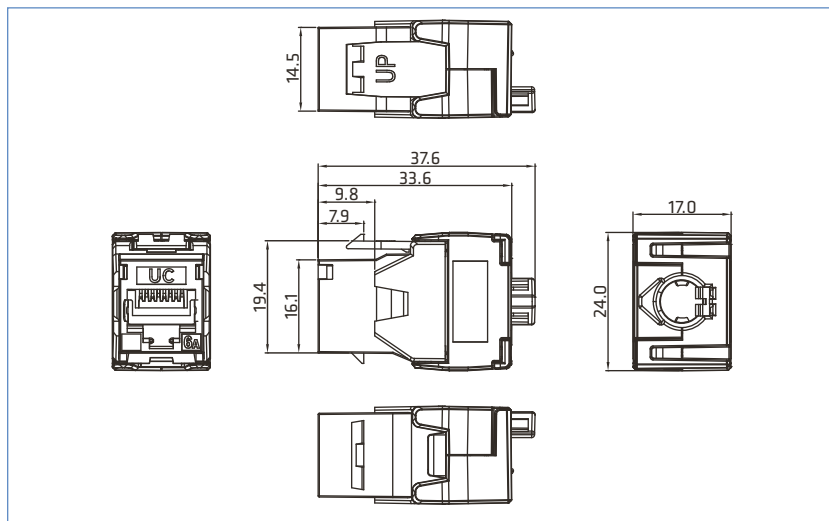
Performance

Item	Description
Wiring	TIA 568 A/B
Insertion Force	<=30N
Plug Insertion Life	800 times insertion (RJ45)
Wire Size Capability	22 ~ 26 AWG solid wire

- Category 6A hardware compliant performance.
- Zinc Alloy housing provides 100% EMC and Alien Crosstalk protection.
- Tool-free termination.
- High Density Design provides optimize usage of rack space.
- Component level tested.
- RoHS Compliant.

Standards

ANSI TIA/EIA 568-C.2;
ISO/IEC 11801 2nd Ed.;
IEC 60603-7-[4,5];
EN 50173-1;
EN 50173-2



Ordering Information

SAP IC	UC P/N	UC Material Code	Product Description	P.U
YMJB01851	MJTF1271	UC C500 MJ TF S V6	Keystone Jack, Cat. 6a, RJ45, FTP, 180° Tool Free, Shielded	1pc/bag

* can also be used for Cat5e and Cat 6 FTP

3.3 Keystone Jacks



- Category 6A hardware compliant performance.
- Zinc Alloy housing provides 100% EMC and Alien Crosstalk protection.
- Tool-free termination.
- High Density Design provides optimize usage of rack space.
- RoHS Compliant.

Standards

ANSI TIA/EIA 568-C.2;
ISO/IEC 11801 2nd Ed.;
IEC 60603-7-[4,5];
EN 50173-1;
EN 50173-2

UC C500 MJ TF S V2

Keystone Jack, Cat. 6A, RJ45, FTP, 180°, Tool Free, Shielded

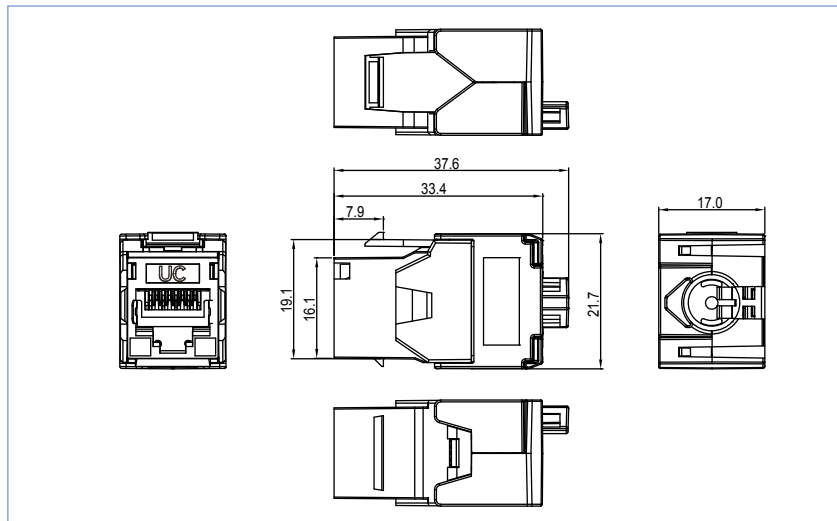


Specification

Item	Description
RJ45 Housing	Zinc Alloy with nickel plated
Contacts and IDC	Phosphor bronze
Contact Surface Finish	50u" gold plated over contact area
IDC Surface Finish	Tin plated
IDC Housing	PC, UL94V0
PCB	FR4 94V0

Performance

Item	Description
Wiring	TIA 568 A/B
Insertion Force	<=30N
Plug Insertion Life	800 times insertion (RJ45)
Re-Termination	10 Cycles
Wire Size Capability	22 ~ 26 AWG solid wire



Ordering Information

SAP IC	UC P/N	UC Material Code	Product Description	P.U
YHJBP01899	MJTF1000	UC C500 MJ TF S V2	Keystone Jack, Cat. 6A, RJ45, FTP, 180° Tool Free, Shielded, HD	1pc/bag

UC C500 KJ TF S V3 / V4

Keystone Jack, Cat. 6A, RJ45, FTP, 90° Tool Free, Shielded, Ease Connect /
Keystone Jack, Cat. 6A, Stranded, RJ45, FTP, 90° Tool Free, Shielded, Ease Connect



Specification

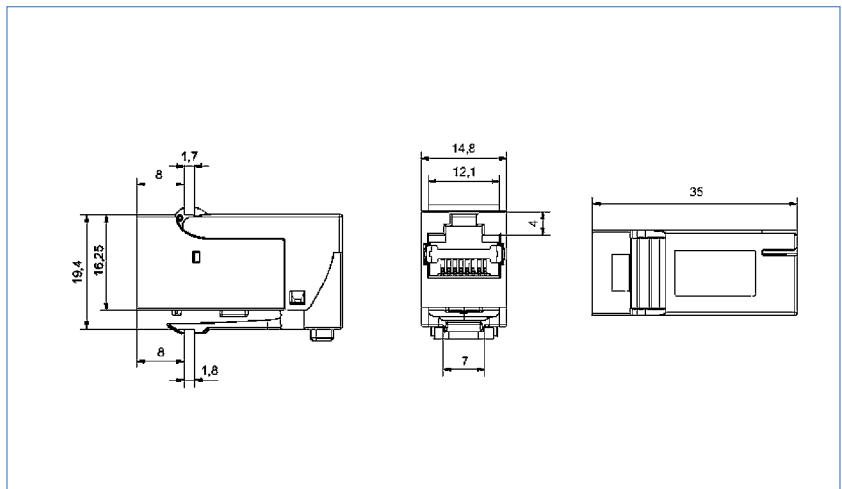
Item	Description
Material Housing	Zinc Die Casting PA
Insulation Material	PC White
Contact Area	30 μ Gold Plated
Wire size compatibility	5-10 mm
Connection class	IP20
Dimensions	19.3 x 14.7 mm
Housing	Zinc die cast Nickel plating
Dimensions	41 x 24 x 18 mm

Performance

Item	Description
Contact resistance	≤20m
Insulation resistance	≥500m
Operating temperature	-40 ° C - + 70 ° C
Durability	Jack 800 cycles



- 10Gigabit Component level compliance to ISO/IEC 11801:2002 (including Amendment 2 – 2nd Edition), Amendment 2 to CENELEC EN 50173-1 (2010) and IEC 60603-7-51, ANSI TIA 568-C.2
- Easy install facilitated by tool free wire termination
- Fully compatible with our full range of faceplates, adapters and boxes
- PoE+ IEEE 802.3at suitable for Power over Ethernet plus
- Fits into 32 mm back-box/floor-box/grid box with angled adapter



Ordering Information

SAP IC	UC P/N	UC Material Code	Product Description	P.U
YMJBPO0296	KJTF1272	UC C500 KJ TF S V3	Keystone Jack, Cat. 6a, RJ45, FTP, 90° Tool Free, Shielded, Ease Connect	1pc/bag
YMJBPO0297	KJTF1273	UC C500 KJ TF S V4	Keystone Jack, Cat. 6a, Stranded, RJ45, FTP, 90° Tool Free, Shielded, Ease Connect	1pc/bag



4. Patchcords

UC Copper Patch-Cord GOLD

Premium, Stranded, LSZH



Features

- **Gold Plated Housing:** To further minimise oxidation and rust
- **Fully Sealed Plug:** Ensure high accuracy contacts are maintained throughout installation and operation
- **Gold Plated Contacts:** 50um to maximise connections
- **Unique Boot Design:** Prevents entanglement during re-insertions
- **Connector is RJ45 modular plug;** clear polycarbonate UL94V-0 rated

Specification

Product Family	Related Cable Description
UC C300 Class D Channel, screened	Cat 5e F/UTP 26/7 AWG 4P patch cable LSZH
UC C400 Class E Channel, screened	Cat 6 S/FTP 27/7 AWG 4P patch cable LSZH
UC C400 Class E Channel, unscreened	Cat 6 U/UTP 24/7 AWG 4P patch cable LSZH
UC C500 Class Ea Channel, screened	Cat 6a S/FTP 27/7 AWG 4P patch cable LSZH

Performance

Item	Description
Flame properties - LSZH	IEC 60332-1, IEC 61034, IEC 60754-1 & 2
Standards	EN 50173 / 50288, ISO / IEC 11801 Amendment 2, IEC 60603-7
Length	1m, 1.5m, 3m, 5m, other lengths upon request



- Colour clips for colour identification available

Ordering Information

SAP IC	UC P/N	UC Material Code	Product Description	P.U
YPGBP00474	PG9561GY-1	UC C300 PG S GY L 00100 V2	F/UTP Cat.5E GOLD Patch cord Grey LSZH 26AWG 1M	1pc/bag
YPGBP00454	PG9713GY-1	UC C400 PG SF GY L 00100 V2	S/FTP Cat.6 GOLD Patch cord Grey LSZH 27AWG 1M	1pc/bag
YPGBP00434	PG9705GY-1	UC C400 PG UU GY L 00100 V2	U/UTP Cat6 GOLD Patch cord Grey LSZH 24AWG 1M	1pc/bag
YPGBP00414	PG9205GY-1	UC C500 PG SF GY L 00100 V2	S/FTP Cat.6A GOLD Patch cord Grey LSZH 27AWG 1M	1pc/bag

Patchcords



Premium flexible patch cables with unique gold plating design

- Flexible stranded bare copper conductor patch cable
- 2xRJ45 connector (TIA568-B coding)
- Color clips or different jacket color options
- Proven performance
- Component level tested

Standards

ISO/IEC 11801 2nd Ed.;
 EN 50173;
 ANSI TIA/EIA 568-C.2;
 IEC 61935-2;
 IEC 60603-7;

Patchcords



Slimmer than normal patch cables with unique flexibility

- Lesser than 4.5mm OD
- Flexible stranded bare copper conductor patch cable
- 2xRJ45 connector (TIA568-B coding)
- Different jacket color options
- Proven performance
- Component level tested

Standards

ISO/IEC 11801 2nd Ed.;
 EN 50173;
 ANSI TIA/EIA 568-C.2;
 IEC 61935-2;
 IEC 60603-7;

UC Copper Patch-Cord SLIMFLEX 30AWG

Slim, Stranded, LSZH



Features

- **Slim:** Unique tight extrusion for up to 30% reduction in diameter
- **Flexible:** Special grade of highly durable yet flexible stranded copper
- **Gold Plated Contacts:** 50um to maximise connections
- **Unique Boot Design:** Prevents entanglement during re-insertion

Specification

Product Family	Related Cable Description
UC C500 Class Ea Channel, screened	Cat 6a S/FTP 30/7 AWG 4P patch cable LSZH

Performance

Item	Description
Flame properties - LSZH	IEC 60332-1, IEC 61034, IEC 60754-1 & 2
Standards	EN 50173 / 50288, ISO / IEC 11801 Amendment 2, IEC 60603-7
Length	1m, 1.5m, 3m, 5m, other lengths upon request

Ordering Information

SAP IC	UC P/N	UC Material Code	Product Description	P.U
YPSBP01914	PS8671WH- 1	UC C500 PS SF WH L 00100 V3	S/FTP Cat6a SLIMF Patch cord WHITE LSZH 1M, 30 AWG, SILVER Plug	1pc/bag
YPSBP01922	PS6671WH- 1	UC C500 PS SF WH L 00100 V4	S/FTP Cat6a SLIMF Patch cord WHITE LSZH 1M, 30 AWG, GOLD Plug	1pc/bag

UC Copper Patch-Cord SLIMFLEX 28AWG

Patchcords

Slim, Stranded, LSZH



Features

- **Slim:** Unique tight extrusion for up to 30% reduction in diameter
- **Flexible:** Special grade of highly durable yet flexible stranded copper
- **Gold Plated Contacts:** 50um to maximise connections
- **Unique Boot Design:** Prevents entanglement during re-insertion

Specification

Product Family	Related Cable Description
UC C300 Class D Channel, unshielded	Cat 5e U/UTP 28/7 AWG 4P patch cable LSZH
UC C400 Class E Channel, unshielded	Cat 6 U/UTP 28/7 AWG 4P patch cable LSZH

Performance

Item	Description
Flame properties - LSZH	IEC 60332-1, IEC 61034, IEC 60754-1 & 2
Standards	EN 50173 / 50288, ISO / IEC 11801 Amendment 2, IEC 60603-7
Length	1m, 1.5m, 3m, 5m, other lengths upon request



Slimmer than normal patch cables with unique flexibility

- Lesser than 4mm OD vs normal ~5.4mm
- Flexible stranded bare copper conductor patch cable
- 2xRJ45 connector (TIA568-B coding)
- Different jacket color options
- Proven performance
- Component level tested

Standards

ISO/IEC 11801 2nd Ed.;
 EN 50173;
 ANSI TIA/EIA 568-C.2;
 IEC 61935-2;
 IEC 60603-7;

Ordering Information

SAP IC	UC P/N	UC Material Code	Product Description	P.U
YPSBP00484	PS9621GY-1	UC C300 PS UU GY L 00100 V2	U/UTP Cat.5E SLIMF Patch cord Grey LSZH 1M 28 AWG	1pc/bag
YPSBP00498	PS9671GY-1	UC C400 PS UU GY L 00100 V2	U/UTP Cat6 SLIMF Patch cord Grey LSZH 1M 28 AWG	1pc/bag

Patchcords



Highly robust patch cables with bending protection and loss prevention

- Flexible stranded bare copper conductor patch cable
- 2xRJ45 connector (TIA568-B coding)
- Different jacket color options
- Proven performance
- Available in PVC or LSZH
- Component level tested

Standards

ISO/IEC 11801 2nd Ed.;
EN 50173;
ANSI TIA/EIA 568-C.2;
IEC 61935-2;
IEC 60603-7;

UC Copper Patch-Cord DUAL BOOT

Standard, Strain Relief, Stranded



Features

- **Dual Boot Design:** Unique separate moulded boots to maximise protection during patch cable bending, providing excellent loss prevention.
- **Gold Plated Contacts:** 50um to maximise connections
- **Loss prevention:** Unique overall boot design provides excellent head room in performances

Specification

Product Family	Related Cable Description
UC C300 Class D Channel, unscreened	Cat 5e U/UTP 24/7 AWG 4P patch cable LSZH
UC C300 Class D Channel, screened	Cat 5e F/UTP 26/7 AWG 4P patch cable LSZH
UC C400 Class E Channel, unscreened	Cat 6 U/UTP 24/7 AWG 4P patch cable LSZH
UC C400 Class E Channel, screened	Cat 6 U/FTP 26/7 AWG 4P patch cable LSZH
UC C500 Class Ea Channel, screened	Cat 6a U/FTP 26/7 AWG 4P patch cable LSZH
UC C500 Class Ea Channel, screened	Cat 6a S/FTP 26/7 AWG 4P patch cable LSZH

Performance

Item	Description
Flame properties - PVC	IEC 60332-1
Flame properties - LSZH	IEC 60332-1, IEC 61034, IEC 60754-1 & 2
Standards	EN 50173 / 50288, ISO / IEC 11801 Amendment 2, IEC 60603-7
Length	1m, 1.5m, 3m, 5m, other lengths upon request
Colours	RED, BLUE, YELLOW, GREEN, GREY

Ordering Information

SAP IC	UC P/N	UC Material Code	Product Description	P.U
YPCBP01022	PC5110GY-1	UC C300 PC UU GY L 00100 V2	U/UTP Cat.5E DBOOT Patch cord Grey PVC 24AWG 1M	1pc/bag
YPCBP01032	PC5120GY-1	UC C300 PC UU GY L 00100 V3	U/UTP Cat.5E DBOOT Patch cord Grey LSZH 24AWG 1M	1pc/bag
YPCBP01042	PC5210GY-1	UC C300 PC S GY L 00100	F/UTP Cat.5E DBOOT Patch cord Grey PVC 26AWG 1M	1pc/bag
YPCBP01052	PC5220GY-1	UC C300 PC S GY L 00100 V1	F/UTP Cat.5E DBOOT Patch cord Grey LSZH 26AWG 1M	1pc/bag
YPCBP01182	PC6110GY-1	UC C400 PC UU GY L 00100 V2	U/UTP Cat.6 DBOOT Patch cord Grey PVC 24AWG 1M	1pc/bag
YPCBP01202	PC6120GY-1	UC C400 PC S GY L 00100	U/UTP Cat.6 DBOOT Patch cord Grey LSZH 24AWG 1M	1pc/bag
YPCBP01212	PC6220GY-1	UC C400 PC S GY L 00100 V1	F/UTP Cat.6 DBOOT Patch cord Grey LSZH 26AWG 1M	1pc/bag
YPCBP01580	PC8320GY-1	UC C500 PC UF GY 00100	U/FTP Cat.6a DBOOT Patch cord Grey LSZH 26AWG 1M	1pc/bag
YPCBP01342	PC8420GY-1	UC C500 PC SF GY L 00100 V1	S/FTP Cat.6a DBOOT Patch cord Grey LSZH 26AWG 1M	1pc/bag



UC CONNECT[®]



- Full Structured Cabling Solutions
- Complete Fibre Optic Products Portfolio
- High Technology Premium Solutions
- Component Tested, 3rd Party Certified

*From the World's Largest
Cable Manufacturer*

Used extensively in:



ASIA HQ
No. 20 Jurong Port Road, Jurong Town
Singapore 619094
Email: mms.asia@prysmiangroup.com
Tel + 65 6898 3633 Fax +65 6265 2226

www.drakauc.com

A brand of the
Pysmian
Group

5. Panels



5.1	PATCH PANELS	
	UC C300 PW TR U BK 24 1U V1	62
	UC C400 PW TR U BK 24 1U V1	63
	UC CACC PP U BK 24 1U	64
	UC CACC PP SP U BK 24 1U	65
	UC CACC PP S BK 24 1U	66
	UC CACC PP VP U BK 24 1U	67
	UC CACC PP VP S BK 24 1U	68
	UC CACC PP U BK 48 2U	69
	UC CACC PP S BK 48 1U	70
	UC C400 PP TR U BK 24 1U	71
	UC C500 PP S BK 24 1U	72
	UC C500 PPC S 24 1U	73
	UC CACC PP VP S 24 1U V2	74
	UC C500 PP HP S 24 V2	75
	UC C500 PP S 48 1U	76
5.2	SMART PANELS	
	UC CACC UI U BK 24 1U	77
	UC C400 LI U BK 24 1U	78
	UC CACC UI S BK 24 1U	79
	UC C400 LI S BK 24 1U	80
	UC C500 LI U BK 24 1U	81
5.3	CABLE MANAGERMENTS	
	UC CACC CM 1U	82
	UC CACC CM 2U	83
	UC CACC CM 1U V1	84
	UC CACC CM 2U V1	85
	UC CACC CM 1U V2	86
	UC CACC CM 2U V3	87

5.1 Patch Panels



- Category 5e hardware compliant performance.
- “Write on” description label protected by clear plastic holder for clear port marking and identification.
- Supplied with rear cable management to ensure proper cable bending radius.
- Foldable rear cable management ideal for minimizing packaging size.
- Optional color-coded dust cover available for port protection.
- Component level tested.
- RoHS Compliant.

UC C300 PW TR U BK 24 1U V1

19" 1U 24P UTP, Punchdown Panel, RJ45, Cat.5e, 180°



Specification

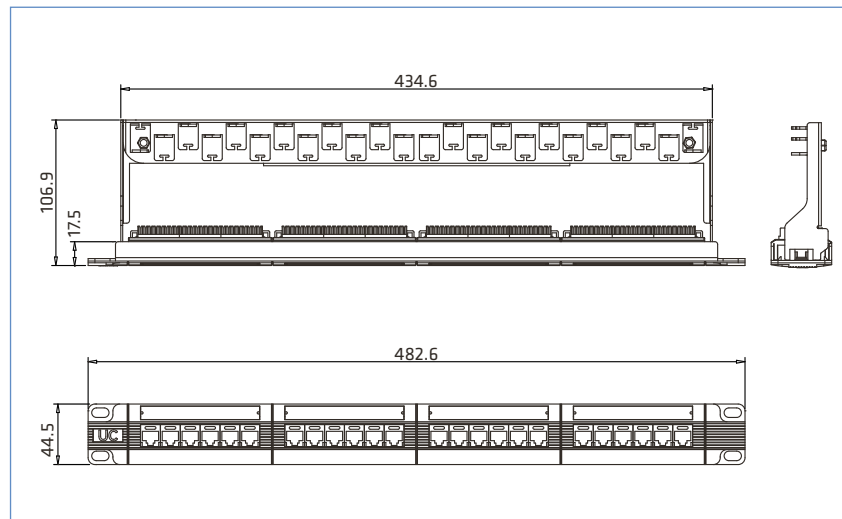
Item	Description
Panel	SPCC, T=1.8mm, black coated
Front Cover	ABS+PC, UL94V0
RJ45 Housing	PBT + 15% GF 94V0
Contacts and IDC	Phosphor bronze
Contact Surface Finish	50u" gold plated over contact area
IDC Surface Finish	Tin plated
IDC Housing	PC, UL94V0
PCB	FR4 94V0
Rear Cable Management	SPCC, black coated

Performance

Item	Description
Wiring	TIA 568 A/B
IDC Type	110
Insertion Force	<=30N
Plug Insertion Life	800 times insertion (RJ45, RJ11/RJ12)
Wire Size Capability	22 ~ 26 AWG solid wire

Related Products

UC P/N	Product Description
PUCP-BK	24P, Punch-down Type Panel Cover Plate, Black (10pcs/bag)



Ordering Information

SAP IC	UC P/N	UC Material Code	Product Description	P.U
YPWBP00341	PWU9746	UC C300 PW TR U BK 24 1U V1	19" 1U 24P UTP, Punchdown Panel, RJ45, Cat.5e, 180°	1pc/box

UC C400 PW TR U BK 24 1U V1

19" 1U 24P UTP Punchdown Panel, RJ45, Cat.6,180°



5.1 Patch Panels

Specification

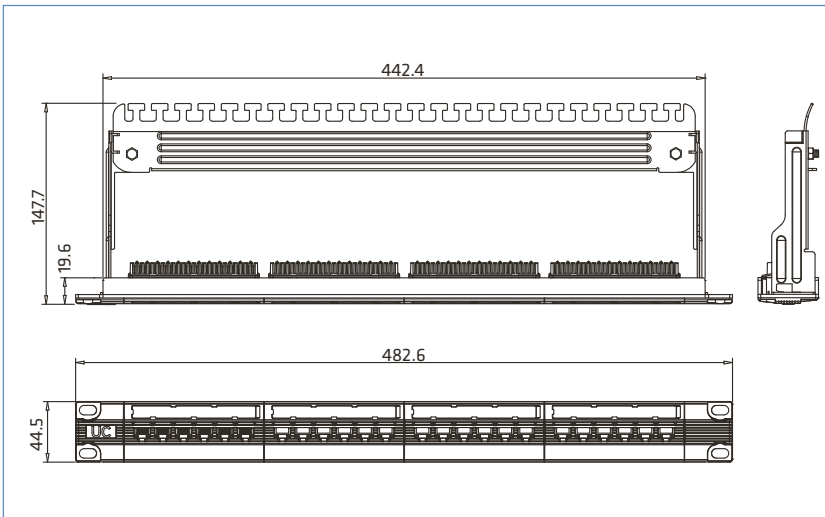
Item	Description
Panel	Al-Mg alloy, T= 2.5mm, Anodized
Front Cover	ABS+PC, UL94V0
RJ45 Housing	PBT + 15% GF 94V0
Contacts and IDC	Phosphor bronze
Contact Surface Finish	50u" gold plated over contact area
IDC Surface Finish	Tin plated
IDC Housing	ABS+PC, UL94V0
PCB	FR4 94V0
Rear Cable Management	Al-Mg alloy, T= 1.5mm, Anodized

Performance

Item	Description
Wiring	TIA 568 A/B
IDC Type	110
Insertion Force	<=30N
Plug Insertion Life	800 times insertion (RJ45, RJ11/RJ12)
Wire Size Capability	22 ~ 26 AWG solid wire

Related Products

UC P/N	Product Description
PUCP-BK	24P, Punch-down Type Panel Cover Plate, Black (10pcs/bag)



- Category 6 hardware compliant performance.
- "Write on" description label protected by clear plastic holder for clear port marking and identification.
- Supplied with rear cable management to ensure proper cable bending radius.
- Al-Mg alloy made panel and cable management reduces 50% of the weight.
- Foldable rear cable management ideal for minimizing packaging size.
- Optional color-coded dust cover available for port protection.
- Component level tested.
- RoHS Compliant.

Ordering Information

SAP IC	UC P/N	UC Material Code	Product Description	P.U
YPWBP00342	PWU9747	UC C400 PW TR U BK 24 1U V1	19" 1U 24P UTP Punchdown Panel, RJ45, Cat.6,180°	1pc/box

5.1 Patch Panels



- 1U 24-port high density panel provides optimum usage of rack.
- Front-loadable 8-port bracket for easy installation and maintenance.
- “Write on” description label protected by hinged transparent cover for clear port marking and identification.
- Optional hinged dust cover.
- Supplied with rear cable management to ensure proper cable bending radius.
- Foldable rear cable management ideal for minimizing packaging size.
- RoHS Compliant.

UC CACC PP U BK 24 1U

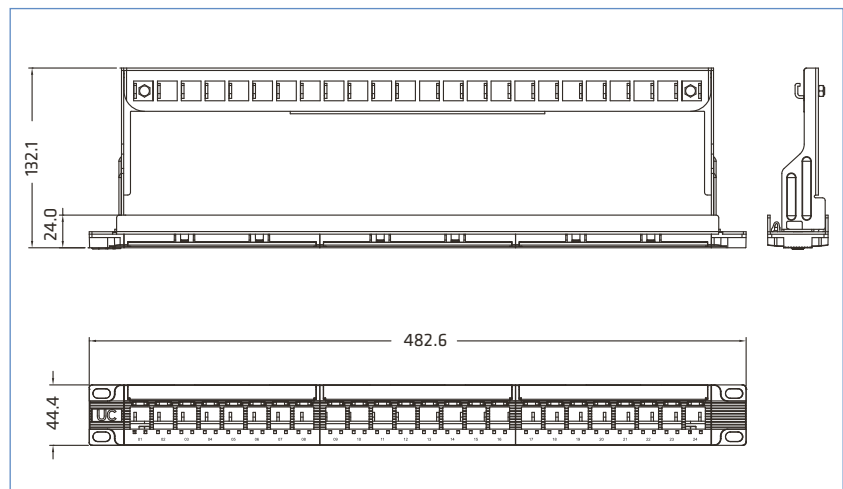
19" 1U 24P UTP Keystone Panel, Empty, Cat 5e / 6, 180°

Specification

Item	Description
Panel	SPCC, T=1.8mm, black coated
Modular Bracket	ABS+PC, UL94V0
Rear Cable Management	SPCC, black coated

Related Products

UC P/N	Product Description
MJTR9660	Keystone Jack,Cat.5e,RJ45,UTP, 180°, Tool Fast, Blue
MJTR8660W	Keystone Jack,Cat.5e,RJ45,UTP, 180°, Punch-down, White
MJTR8660B	Keystone Jack,Cat.5e,RJ45,UTP, 180°, Punch-down, Black
KJTF1250W	Keystone Jack,Cat.5e,RJ45,UTP, 90° Tool Free, White
KJTF1250B	Keystone Jack,Cat.5e,RJ45,UTP, 90° Tool Free, Black
MJTF1252W	Keystone Jack,Cat.5e,RJ45,UTP, 180°, Tool Free, White
MJTF1252B	Keystone Jack,Cat.5e,RJ45,UTP, 180°, Tool Free, Black
MJTR9667	Keystone Jack,Cat.6,RJ45,UTP, 180°, Tool Fast, Blue
MJTR8667W	Keystone Jack,Cat.6,RJ45,UTP, 180° Punch-down, Tool, Solid White
MJTR8667B	Keystone Jack,Cat.6,RJ45,UTP, 180° Punch-down, Tool, Solid Black
KJTF1264W	Keystone Jack,Cat.6,RJ45,UTP, 90° Tool Free, White
KJTF1264B	Keystone Jack,Cat.6,RJ45,UTP, 90° Tool Free, Black
MJTF1262W	Keystone Jack,Cat.6,RJ45,UTP, 180° Tool Free, Solid White
MJTF1262B	Keystone Jack,Cat.6,RJ45,UTP, 180° Tool Free, Solid Black
KPCP-BK	24P Keystone Panel Cover Plate, Black (10pcs/bag)
KPPG-WH	Panel Secure Plug, Transparent (Fits Gold Patch Cord only)
KPPG-YL	Panel Secure Plug, Yellow (Fits Gold Patch Cord only)
KPPGK	Key to release Secure Plug
KPPGC	Cover for Panel Secure Plug



Ordering Information

SAP IC	UC P/N	UC Material Code	Product Description	P.U
YPPBP00344	PPU9749	UC CACC PP U BK 24 1U	19" 1U 24P UTP Keystone Panel, Empty, Cat 5e / 6, 180°	1pc/box

UC CACC PP SP U BK 24 1U

19" 1U 24P UTP Keystone Panel, Empty, Cat 6a, 180°

Specification

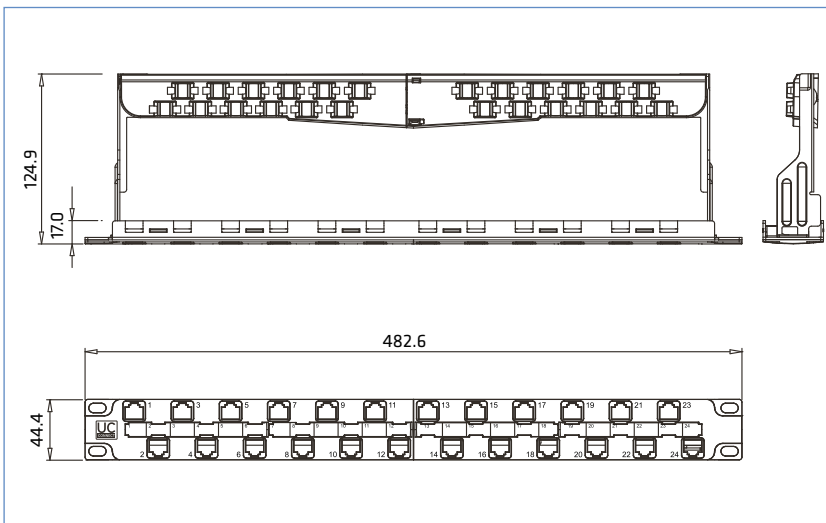
Item	Description
Panel	SPCC, T=1.8mm, black coated
Front Cover	ABS+PC, UL94V0
Bracket	ABS+PC, UL94V0
Rear Cable Management	SPCC, black coated

Related Products

UC P/N	Product Description
MJTF1270	Keystone Jack, Cat.6a, RJ45, UTP, 180° Tool Free, White



- Staggered 1U 24-port high density panel ideal for Cat.6A UTP installation.
- “Write on” description label protected by transparent cover for clear port marking and identification.
- Supplied with rear cable management to ensure proper cable bending radius.
- Foldable rear cable management ideal for minimizing packaging size.
- RoHS Compliant.



Ordering Information

SAP IC	UC P/N	UC Material Code	Product Description	P.U
YPPBP01572	PPU9750	UC CACC PP SP U BK 24 1U	19" 1U 24P UTP Keystone Panel, Empty, Cat 6a, 180°	1pc/box

5.1 Patch Panels



- 1U 24-port high density panel provides optimum using of rack.
- Front-loadable 8-port bracket for easy installation and maintenance.
- “Write on” description label protected by hinged transparent cover for clear port marking and identification.
- Optional hinged dust cover.
- Supplied with rear cable management to ensure proper cable bending radius.
- Foldable rear cable management ideal for minimizing packaging size.
- RoHS Compliant.

UC CACC PP S BK 24 1U

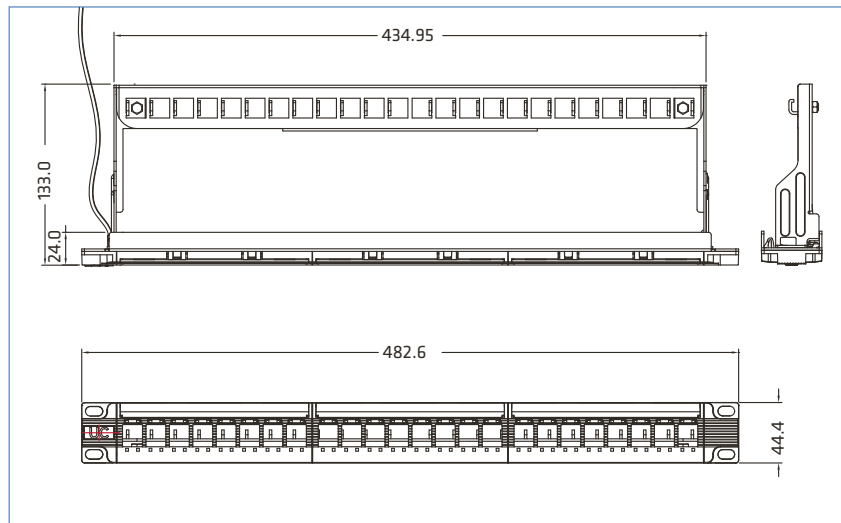
19" 1U 24P FTP Keystone Panel, Empty, Cat 5e / 6 / 6a, 180°

Specification

Item	Description
Panel	SPCC, T=1.8mm, black coated
Modular Bracket	ABS+PC, UL94V0
Rear Bracket	SPCC, T=1.8mm, Zn plated
Rear Cable Management	SPCC, black coated

Related Products

UC P/N	Product Description
MJTR9661	Keystone Jack, Cat.5e, RJ45, FTP, 180°, Tool Fast, Shielded
MJTR9669	Keystone Jack, Cat.6, RJ45, FTP, 180°, Tool Fast, Shielded
MJTR9214	Keystone Jack, Cat.6a, RJ45, FTP, 180°, Tool Fast, Shielded
MJTf1271	Keystone Jack, Cat.6a, RJ45, FTP, 180° Tool Free, Shielded
KPCP-BK	24P Keystone Panel Cover Plate, Black (10pcs/bag)
KPPG-WH	Panel Secure Plug, Transparent (Fits Gold Patch Cord only)
KPPG-YL	Panel Secure Plug, Yellow (Fits Gold Patch Cord only)
KPPGK	Key to release Secure Plug
KPPGC	Cover for Panel Secure Plug



Ordering Information

SAP IC	UC P/N	UC Material Code	Product Description	P.U
YPPBP00343	PPS9748	UC CACC PP S BK 24 1U	19" 1U 24P FTP Keystone Panel, Empty, Cat 5e / 6 / 6a, 180°	1pc/box

UC CACC PP VP U BK 24 1U

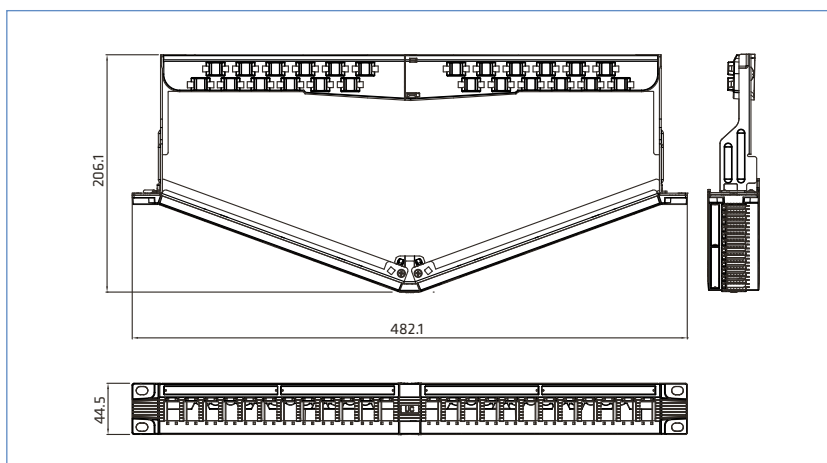
19" 1U 24P UTP Angle Keystone Panel, Empty, Cat 5e / 6 180°, Foldable patented

Specification

Item	Description
Panel	SPCC, T=1.8mm, Ni plated
Modular Bracket	ABS+PC, UL94V0
Rear Bracket	SPCC, T=1.8mm, Zn plated
Rear Cable Management	ABS+PC, UL94V0

Related Products

UC P/N	Product Description
MJTR9660	Keystone Jack, Cat.5e, RJ45, UTP, 180°, Tool Fast, Blue
MJTR8660W	Keystone Jack, Cat.5e, RJ45, UTP, 180°, Punch-down, White
MJTR8660B	Keystone Jack, Cat.5e, RJ45, UTP, 180°, Punch-down, Black
KJTF1250W	Keystone Jack, Cat.5e, RJ45, UTP, 90° Tool Free, White
KJTF1250B	Keystone Jack, Cat.5e, RJ45, UTP, 90° Tool Free, Black
MJTF1252W	Keystone Jack, Cat.5e, RJ45, UTP, 180°, Tool Free, White
MJTF1252B	Keystone Jack, Cat.5e, RJ45, UTP, 180°, Tool Free, Black
MJTR9667	Keystone Jack, Cat.6, RJ45, UTP, 180°, Tool Fast, Blue
MJTR8667W	Keystone Jack, Cat.6, RJ45, UTP, 180° Punch-down, Tool, Solid White
MJTR8667B	Keystone Jack, Cat.6, RJ45, UTP, 180° Punch-down, Tool, Solid Black
KJTF1264W	Keystone Jack, Cat.6, RJ45, UTP, 90° Tool Free, White
KJTF1264B	Keystone Jack, Cat.6, RJ45, UTP, 90° Tool Free, Black
MJTF1262W	Keystone Jack, Cat.6, RJ45, UTP, 180° Tool Free, Solid White
MJTF1262B	Keystone Jack, Cat.6, RJ45, UTP, 180° Tool Free, Solid Black
KPCP-BK	24P Keystone Panel Cover Plate, Black (10pcs/bag)
KPPG-WH	Panel Secure Plug, Transparent (Fits Gold Patch Cord only)
KPPG-YL	Panel Secure Plug, Yellow (Fits Gold Patch Cord only)
KPPGK	Key to release Secure Plug
KPPGC	Cover for Panel Secure Plug



Ordering Information

SAP IC	UC P/N	UC Material Code	Product Description	P.U
YPPBP00345	PPVU9752	UC CACC PP VP U BK 24 1U	19" 1U 24P UTP Angle Keystone Panel, Empty, Cat 5e / 6 180°, Foldable patented	1pc/box



- Patented angled patch panel.
- 1U 24-port high density panel provides optimum using of rack.
- "Write on" description label protected by transparent cover for clear port marking and identification.
- Supplied with rear cable management to ensure proper cable bending radius.
- Foldable angled panel design minimize packaging size.
- Optional hinged dust cover.
- RoHS Compliant.

5.1 Patch Panels



- Patented angled patch panel.
- 1U 24-port high density panel provides optimum using of rack.
- “Write on” description label protected by transparent cover for clear port marking and identification.
- Supplied with rear cable management to ensure proper cable bending radius.
- Foldable angled panel design minimize packaging size.
- Optional hinged dust cover.
- RoHS Compliant.

UC CACC PP VP S BK 24 1U

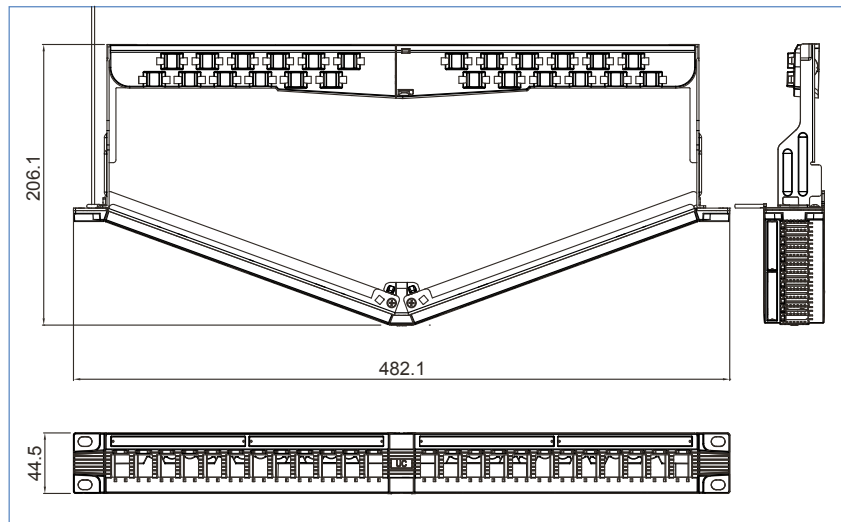
19" 1U 24P FTP Angle Keystone Panel, Empty, Cat 5e / 6 / 6A, 180°, Foldable patented

Specification

Item	Description
Panel	SPCC, T=1.8mm, Ni plated
Modular Bracket	ABS+PC, UL94V0
Rear Bracket	SPCC, T=1.8mm, Zn plated
Rear Cable Management	ABS+PC, UL94V0

Related Products

UC P/N	Product Description
MJTR9661	Keystone Jack, Cat.5e, RJ45, FTP, 180°, Tool Fast, Shielded
MJTR9669	Keystone Jack, Cat.6, RJ45, FTP, 180°, Tool Fast, Shielded
MJTR9214	Keystone Jack, Cat.6a, RJ45, FTP, 180°, Tool Fast, Shielded
MJTF1271	Keystone Jack, Cat.6a, RJ45, FTP, 180° Tool Free, Shielded
KPCP-BK	24P Keystone Panel Cover Plate, Black (10pcs/bag)
KPPG-WH	Panel Secure Plug, Transparent (Fits Gold Patch Cord only)
KPPG-YL	Panel Secure Plug, Yellow (Fits Gold Patch Cord only)
KPPGK	Key to release Secure Plug
KPPGC	Cover for Panel Secure Plug



Ordering Information

SAP IC	UC P/N	UC Material Code	Product Description	P.U
YPPBP00346	PPVS9752	UC CACC PP VP S BK 24 1U	19" 1U 24P FTP Angle Keystone Panel, Empty, Cat 5e / 6 / 6a, 180°, Foldable patented	1pc/box

UC CACC PP U BK 48 2U

19" 2U 48P UTP Keystone Panel, Empty, Cat 5e / 6 , 180°

5.1 Patch Panels

Specification

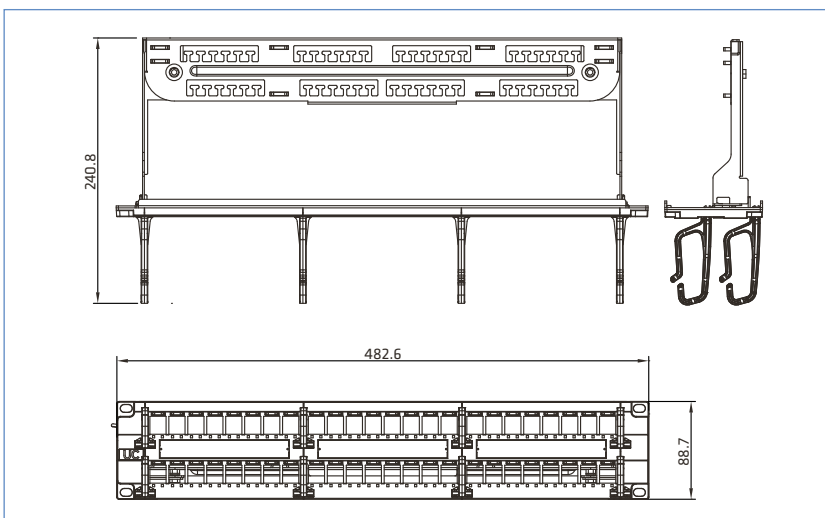
Item	Description
Panel	SPCC, T=1.8mm, black coated
Modular Bracket	ABS+PC, UL94V0
Rear Bracket	SPCC, T=1.8mm, Ni Plated
Front Cable Manager	PC, UL 94V0
Rear Cable Management	SPCC, black coated

Related Products

UC P/N	Product Description
MJTR9660	Keystone Jack,Cat.5e,RJ45,UTP, 180°, Tool Fast, Blue
MJTR8660W	Keystone Jack,Cat.5e,RJ45,UTP, 180°, Punch-down, White
MJTR8660B	Keystone Jack,Cat.5e,RJ45,UTP, 180°, Punch-down, Black
KJTF1250W	Keystone Jack,Cat.5e,RJ45,UTP, 90° Tool Free, White
KJTF1250B	Keystone Jack,Cat.5e,RJ45,UTP, 90° Tool Free, Black
MJTF1252W	Keystone Jack,Cat.5e,RJ45,UTP, 180°, Tool Free, White
MJTF1252B	Keystone Jack,Cat.5e,RJ45,UTP, 180°, Tool Free, Black
MJTR9667	Keystone Jack,Cat.6,RJ45,UTP, 180°, Tool Fast, Blue
MJTR8667W	Keystone Jack,Cat.6,RJ45,UTP, 180° Punch-down, Tool, Solid White
MJTR8667B	Keystone Jack,Cat.6,RJ45,UTP, 180° Punch-down, Tool, Solid Black
KJTF1264W	Keystone Jack,Cat.6,RJ45,UTP, 90° Tool Free, White
KJTF1264B	Keystone Jack,Cat.6,RJ45,UTP, 90° Tool Free, Black
MJTF1262W	Keystone Jack,Cat.6,RJ45,UTP, 180° Tool Free, Solid White
MJTF1262B	Keystone Jack,Cat.6,RJ45,UTP, 180° Tool Free, Solid Black
KPCP-BK	24P Keystone Panel Cover Plate, Black (10pcs/bag)
KPPG-WH	Panel Secure Plug, Transparent (Fits Gold Patch Cord only)
KPPG-YL	Panel Secure Plug, Yellow (Fits Gold Patch Cord only)
KPPGK	Key to release Secure Plug
KPPGC	Cover for Panel Secure Plug



- 2U 48-port high density panel integrated with front cable manager.
- Front cable brackets ideal for managing patch cords and eliminating the use of horizontal cable management.
- “Write on” description label protected by transparent cover for clear port marking and identification.
- Optional hinged dust cover.
- Foldable rear cable management ideal for minimizing packaging size.
- RoHS Compliant.



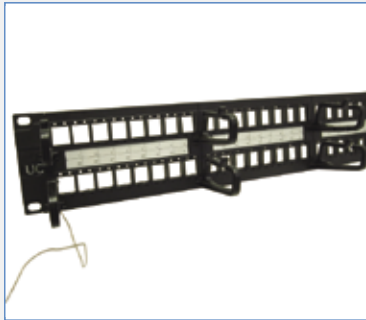
Ordering Information

SAP IC	UC P/N	UC Material Code	Product Description	P.U
YPPBP00348	PPU9773	UC CACC PP U BK 48 2U	19" 2U 48P UTP Keystone Panel, Empty, Cat 5e / 6 , 180°	1pc/box

5.1 Patch Panels

UC CACC PP S BK 48 1U

19" 2U 48P FTP Keystone Panel, Empty, Cat 5e / 6 / 6A, 180°



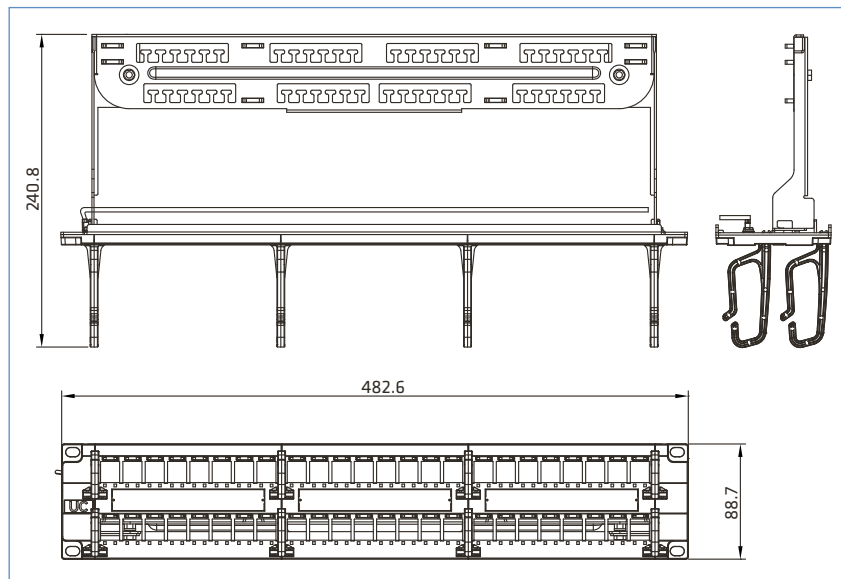
- 2U 48-port high density panel integrated with front cable manager.
- Front cable brackets ideal for managing patch cords and eliminating the use of horizontal cable management.
- “Write on” description label protected by transparent cover for clear port marking and identification.
- Optional hinged dust cover protect the jack free from dust.
- Foldable rear cable management ideal for minimizing packaging size.
- RoHS Compliant.

Specification

Item	Description
Panel	SPCC, T=1.8mm, black coated
Modular Bracket	ABS+PC, UL94V0
Rear Bracket	SPCC, T=1.8mm, Ni Plated
Front Cable Manager	PC, UL 94V0
Rear Cable Management	SPCC, black coated

Related Products

UC P/N	Product Description
MJTR9661	Keystone Jack, Cat.5e, RJ45, FTP, 180°, Tool Fast, Shielded
MJTR9669	Keystone Jack, Cat.6, RJ45, FTP, 180°, Tool Fast, Shielded
MJTR9214	Keystone Jack, Cat.6a, RJ45, FTP, 180°, Tool Fast, Shielded
MJTF1271	Keystone Jack, Cat.6a, RJ45, FTP, 180° Tool Free, Shielded
KPCP-BK	24P Keystone Panel Cover Plate, Black (10pcs/bag)
KPPG-WH	Panel Secure Plug, Transparent (Fits Gold Patch Cord only)
KPPG-YL	Panel Secure Plug, Yellow (Fits Gold Patch Cord only)
KPPGK	Key to release Secure Plug
KPPGC	Cover for Panel Secure Plug



Ordering Information

SAP IC	UC P/N	UC Material Code	Product Description	P.U
YPPBP00347	PPS9772	UC CACC PP S BK 48 1U	19" 2U 48P FTP Keystone Panel, Empty, Cat 5e / 6 / 6a, 180°	1pc/box

UC C400 PP TR U BK 24 1U

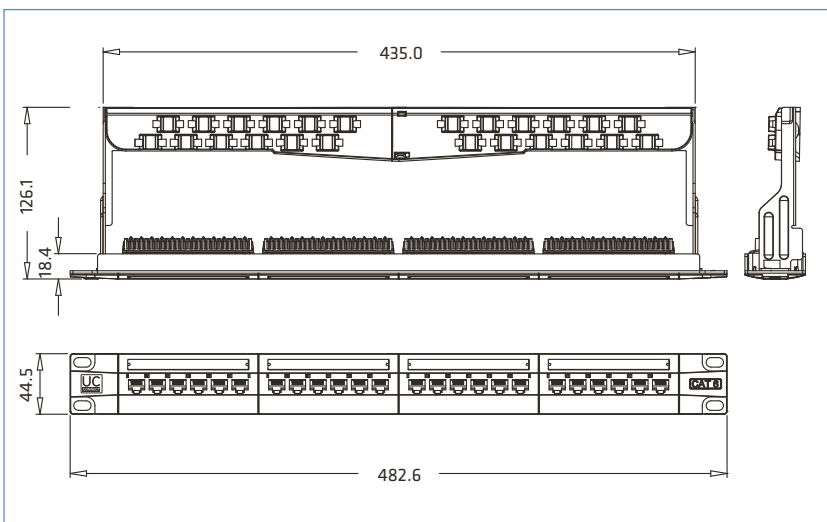
19" 1U 24P UTP Punchdown Panel, RJ45, Cat.6, 180°

Specification

Item	Description
Panel	SPCC, T=1.8mm, black coated
Front Cover	ABS+PC, UL94V0
RJ45 Housing	PBT + 15% GF 94V0
Contacts and IDC	Phosphor bronze
Contact Surface Finish	50u" gold plated over contact area
IDC Surface Finish	Tin plated
IDC Housing	PC, UL94V0
PCB	FR4 94V0
Rear Cable Management	ABS+PC, UL94V0

Performance

Item	Description
Wiring	TIA 568 A/B
IDC Type	110
Insertion Force	<=30N
Plug Insertion Life	750 times insertion (RJ45, RJ11/RJ12)
Wire Size Capability	22 ~ 26 AWG solid wire



- Category 6 hardware compliant performance.
- "Write on" description label protected by clear plastic holder for clear port marking and identification.
- Supplied with rear cable management to ensure proper cable bending radius.
- Foldable rear cable management ideal for minimizing packaging size.
- Component level tested.
- RoHS Compliant.

Ordering Information

SAP IC	UC P/N	UC Material Code	Product Description	P.U
YPPBP01902	PWU0110	UC C400 PP TR U BK 24 1U	24 Port Cat6 Patch Panel 1U	1pc/box

5.1 Patch Panels



- 1U 24-port high density empty panel provides optimum using of rack.
- “Write on” description label protected by transparent cover for clear port marking and identification.
- Supplied with rear cable management to ensure proper cable bending radius.
- Foldable rear cable management ideal for minimizing packaging size.
- RoHS Compliant.

UC C500 PP S BK 24 1U

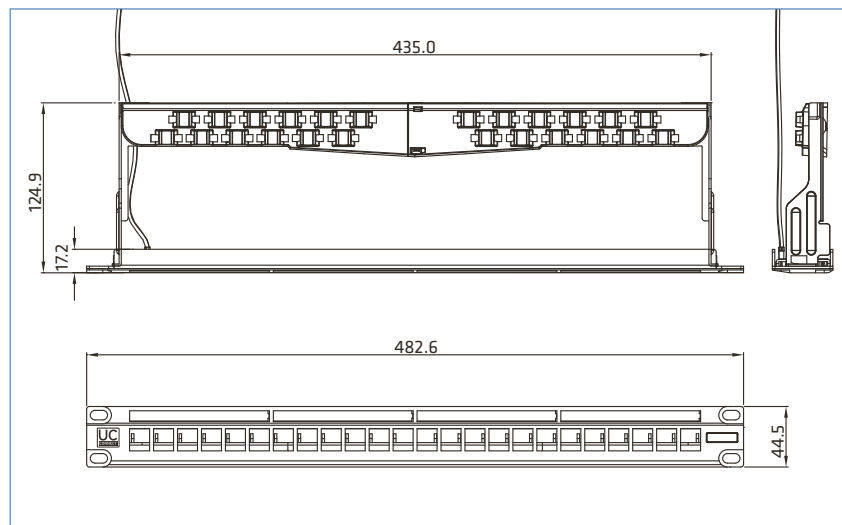
19" 1U 24P FTP,Keystone Panel, Empty, Cat 5e / 6 / 6A, 180°

Specification

Item	Description
Panel	SPCC, T=1.8mm, black coated
Front Panel	ABS+PC, UL94V0
Rear Bracket	SPCC, T=1.8mm, Zn plated
Rear Cable Management	ABS+PC, UL94V0

Related Products

UC P/N	Product Description
MJTR9661	Keystone Jack,Cat.5e,RJ45,FTP, 180°, Tool Fast, Shielded
MJTR9669	Keystone Jack,Cat.6,RJ45,FTP, 180°, Tool Fast, Shielded
MJTR9214	Keystone Jack,Cat.6a,RJ45,FTP, 180°, Tool Fast, Shielded
MJTF1271	Keystone Jack,Cat.6a,RJ45,FTP, 180° Tool Free, Shielded



Ordering Information

SAP IC	UC P/N	UC Material Code	Product Description	P.U
YPPBP00118	PPS0118	UC C500 PP S BK 24 1U	19" 1U 24P FTP,Keystone Panel, Empty, Cat 5e / 6 / 6a, 180°	1pc/box

UC C500 PPC S 24 1U

19" 1U 24P, Shielded, With Empty Cassettes, Cat 5e/6/6A, 180°

5.1 Patch Panels

Specification

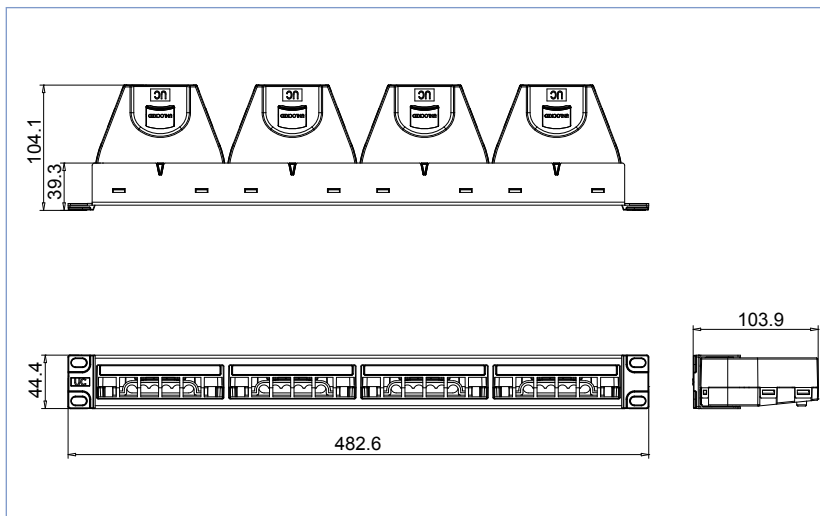
Item	Description
Panel	SPCC, T=1.4mm, Ni plated
Side Covers	PC FR
Cassette	ABS + PC, UL 94V0
Switch	PC FR

Related Products

UC P/N	Product Description
MJTR9661	Keystone Jack, Cat. 5e, RJ45, FTP, 180°, Tool Fast, Shielded
MJTR9669	Keystone Jack, Cat. 6, RJ45, FTP, 180°, Tool Fast, Shielded
MJTR9214	Keystone Jack, Cat. 6a, RJ45, FTP, 180°, Tool Fast, Shielded
MJTF1271	Keystone Jack, Cat. 6a, RJ45, FTP, 180° Tool Free, Shielded



- 1U 24-port high density empty panel provides optimum using of rack
- Supports both unshielded & shielded cabling
- Cassette design for pre-termination
- Plug & Play at Job Site
- RoHS Compliant.



Ordering Information

SAP IC	UC P/N	UC Material Code	Product Description	P.U
YPPBP01907	PPS9000	UC C500 PPC S 24 1U	19" 1U 24P, 4 X Cassettes, Cat.5e / 6 / 6a, 180°	1pc/box

5.1 Patch Panels

UC CACC PP VP S 24 1U V2

19" 1U 24P, Shielded, Empty, Angled, Cat 5e/6/6A, 180°



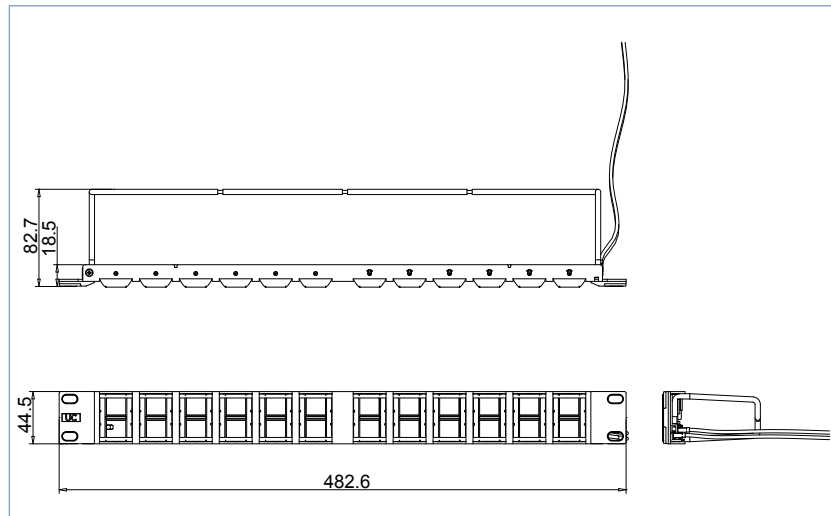
- Modules can be rotated. Functions as angled panel, without protruding design
- With rear cable management (No need for horizontal cable management)
- Supports both unshielded & shielded cabling
- RoHS Compliant.

Specification

Item	Description
Panel	SPCC, T=1.8mm, Ni plated
Side Covers	PC FR
Swivel Bezel	PC, 94V0
Rear Cable Management Bar	SPCC, Φ=4.5mm, Ni plated

Related Products

UC P/N	Product Description
MJTR9661	Keystone Jack, Cat. 5e, RJ45, FTP, 180°, Tool Fast, Shielded
MJTR9669	Keystone Jack, Cat. 6, RJ45, FTP, 180°, Tool Fast, Shielded
MJTR9214	Keystone Jack, Cat. 6a, RJ45, FTP, 180°, Tool Fast, Shielded
MJTF1271	Keystone Jack, Cat. 6a, RJ45, FTP, 180° Tool Free, Shielded



Ordering Information

SAP IC	UC P/N	UC Material Code	Product Description	P.U
YPPBP01906	PPVU9002	UC CACC PP VP S 24 1U V2	19" 1U 24P, Shielded, Empty, Angled, Cat 5e / 6 / 6a, 180°	1pc/box

UC C500 PP HP S 24 V2

19" 1/2U, High Density, 24P, Empty, Cat 6A, 180°

High
Density

Specification

Item	Description
Panel	SPCC, T=1.1mm, Ni plated
Side Cover	PC FR
Rear Cable Management Bar	SPCC, $\Phi=4.5\text{mm}$, Ni plated

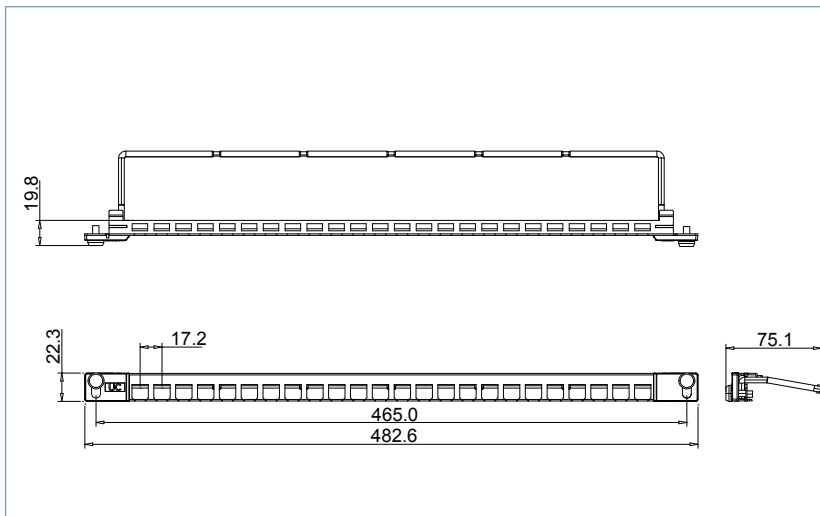
Related Products

UC P/N	Product Description
MJTF1000	Keystone Jack, Cat.6a, High Density, RJ45, FTP, 180° Tool Free, Shielded

5.1 Patch Panels



- High density design, reducing the rack space consumption
- Supports both unshielded & shielded cabling
- With rear cable management support
- Used with High Density Keystone Jack UC P/N MJTF1000
- RoHS Compliant.



Ordering Information

SAP IC	UC P/N	UC Material Code	Product Description	P.U
YPPBP01904	PPS0500	UC C500 PP HP S 24 V2	19" 1/2U, High Density, 24P, Empty, Cat 6a, 180°	1pc/box

5.1 Patch Panels

UC C500 PP S 48 1U

19" 1U, High Density, 48P, Empty, Cat 6A, 180°



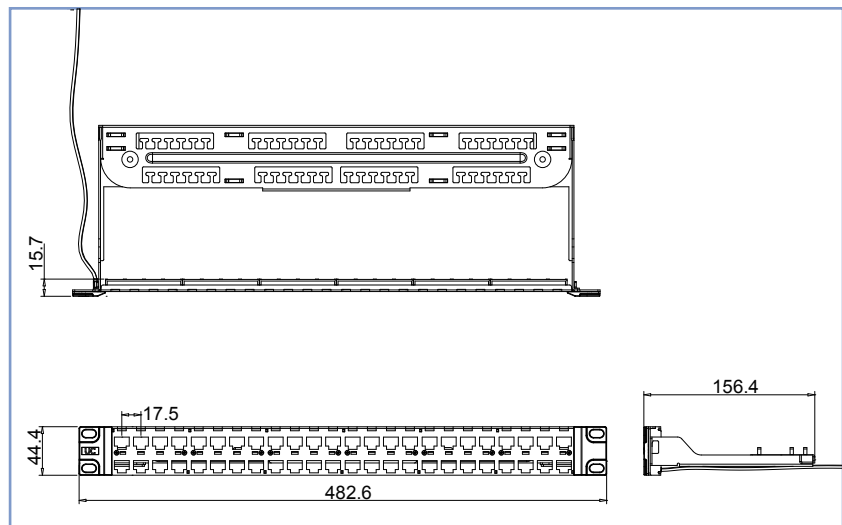
- High density design, reducing the rack space consumption
- Supports both unshielded & shielded cabling
- With rear cable management support
- Used with High Density Keystone Jack UC P/N MJTF1000
- RoHS Compliant.

Specification

Item	Description
Panel	SPCC, T=1.5mm, Ni plated
Side Covers	PC FR
Rear Cable Management	SPCC, black coated

Related Products

UC P/N	Product Description
MJTF1000	Keystone Jack, Cat.6a, High Density, RJ45, FTP, 180° Tool Free, Shielded



Ordering Information

SAP IC	UC P/N	UC Material Code	Product Description	P.U
YPPBP01905	PPS0600	UC C500 PP S 48 1U	19" 1U, High Density, 48P, Empty, Cat 6a, 180°	1pc/box

5.2 Smart Panels

UC CACC UI U BK 24 1U

19" 1U 24P Smart UTP Patch Panel, Empty

Specification

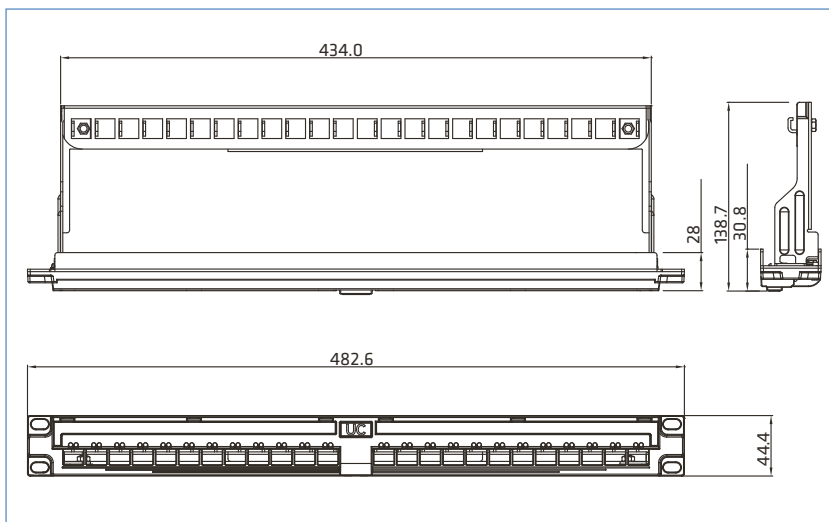
Item	Description
Panel	SPCC, T=1.8mm, Ni plated
Front Cover	ABS+PC, UL94V0
Rear Cable Management	SPCC, black coated

Related Products

UC P/N	Product Description
KPPG-WH	Panel Secure Plug, Transparent (Fits Gold Patch Cord only)
KPPG-YL	Panel Secure Plug, Yellow (Fits Gold Patch Cord only)



- 24-port Empty panel compatible with different type of UC UTP Keystone Jacks for different category cabling installation.
- LED on each port for port activity indication.
- RJ45 port on panel back for communication to IMU.
- Supplied with rear cable management to ensure proper cable bending radius.
- Foldable rear cable management ideal for minimizing packaging size.
- RoHS Compliant.



Ordering Information

SAP IC	UC P/N	UC Material Code	Product Description	P.U
YUIBP00401	UI9749	UC CACC UI U BK 24 1U	19" 1U 24P Smart UTP Patch Panel, Empty	1pc/box

5.2 Smart Panels

UC C400 LI U BK 24 1U

19" 1U 24P Smart UTP Patch Panel, with module, Cat 6



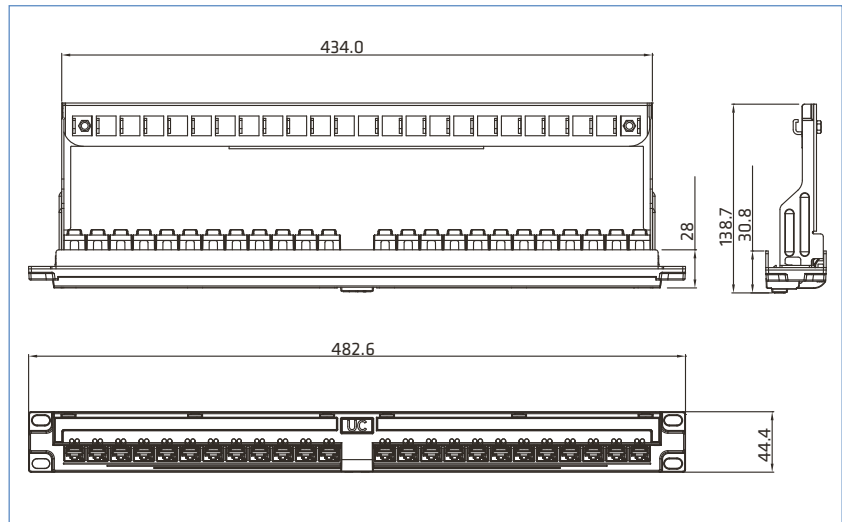
- Smart Patch panel with 24 pieces ToolFast Cat.6 Keystone Jack (MJTR9667).
- LED on each port for port activity indication.
- RJ45 port on panel back for communication to IMU.
- Supplied with rear cable management to ensure proper cable bending radius.
- Foldable rear cable management ideal for minimizing packaging size.
- RoHS Compliant.

Specification

Item	Description
Panel	SPCC, T=1.8mm, Ni plated
Front Cover	ABS+PC, UL94V0
Rear Cable Management	SPCC, black coated

Related Products

UC P/N	Product Description
KPPG-WH	Panel Secure Plug, Transparent (Fits Gold Patch Cord only)
KPPG-YL	Panel Secure Plug, Yellow (Fits Gold Patch Cord only)



Ordering Information

SAP IC	UC P/N	UC Material Code	Product Description	P.U
YUIBP00403	LI9769	UC C400 LI U BK 24 1U	19" 1U 24P Smart UTP Patch Panel, with module, Cat 6	1pc/box

UC CACC UI S BK 24 1U

19" 1U 24P Smart FTP Patch Panel, Empty

Specification

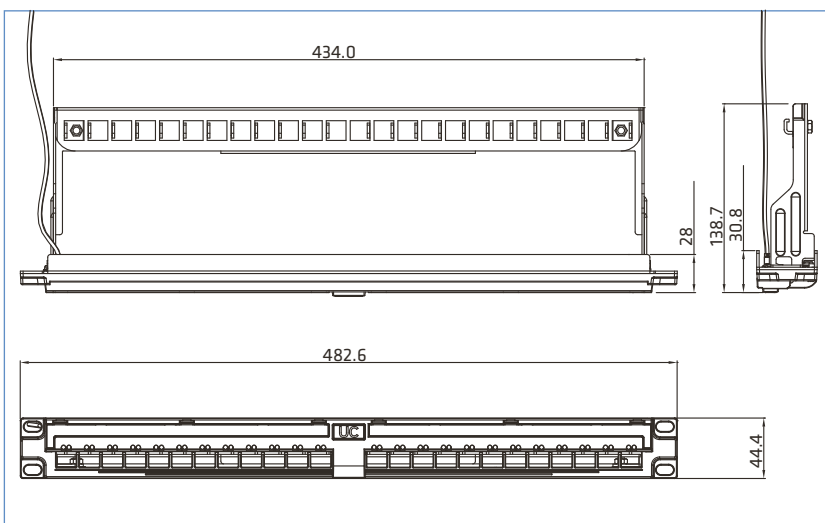
Item	Description
Panel	SPCC, T=1.8mm, Ni plated
Front Cover	ABS+PC, UL94V0
Rear Cable Management	SPCC, black coated

Related Products

UC P/N	Product Description
KPPG-WH	Panel Secure Plug, Transparent (Fits Gold Patch Cord only)
KPPG-YL	Panel Secure Plug, Yellow (Fits Gold Patch Cord only)



- 24-port Empty panel compatible with different type of UC FTP Keystone Jacks for different category cabling installation.
- LED on each port for port activity indication.
- RJ45 port on panel back for communication to IMU.
- Supplied with rear cable management to ensure proper cable bending radius.
- Foldable rear cable management ideal for minimizing packaging size.
- RoHS Compliant.



Ordering Information

SAP IC	UC P/N	UC Material Code	Product Description	P.U
YUIBP00400	UI9748	UC CACC UI S BK 24 1U	19" 1U 24P Smart FTP Patch Panel, Empty	1pc/box

5.2 Smart Panels

UC C400 LI S BK 24 1U

19" 1U 24P Smart FTP Patch Panel, with module, Cat 6



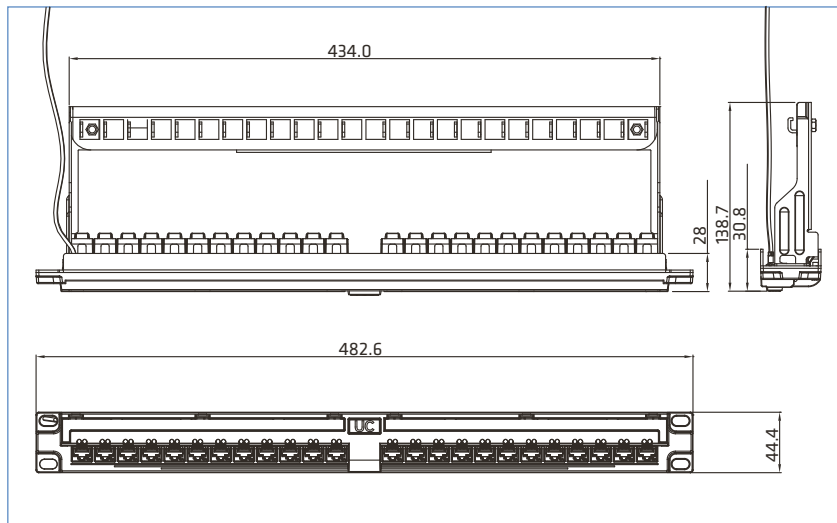
- FTP Smart Patch panel with 24 pieces ToolFast Cat.6 Shielded Keystone Jack (MJTR9669).
- LED on each port for port activity indication.
- RJ45 port on panel back for communication to IMU.
- Supplied with rear cable management to ensure proper cable bending radius.
- Foldable rear cable management ideal for minimizing packaging size.
- RoHS Compliant.

Specification

Item	Description
Panel	SPCC, T=1.8mm, Ni plated
Front Cover	ABS+PC, UL94V0
Rear Cable Management	SPCC, black coated

Related Products

UC P/N	Product Description
KPPG-WH	Panel Secure Plug, Transparent (Fits Gold Patch Cord only)
KPPG-YL	Panel Secure Plug, Yellow (Fits Gold Patch Cord only)



Ordering Information

SAP IC	UC P/N	UC Material Code	Product Description	P.U
YUIBP00402	LI9768	UC C400 LI S BK 24 1U	19" 1U 24P Smart FTP Patch Panel, with module, Cat 6	1pc/box

UC C500 LI U BK 24 1U

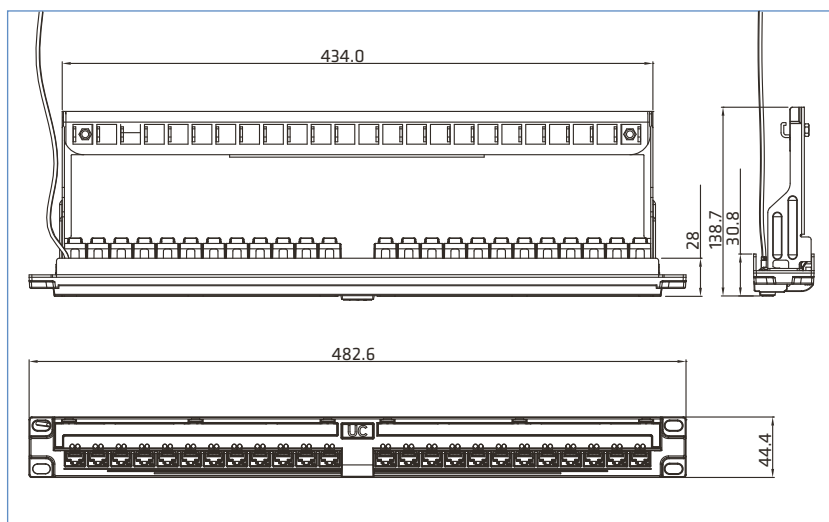
19" 1U 24P Smart FTP Patch Panel, with module, Cat 6A

Specification

Item	Description
Panel	SPCC, T=1.8mm, Ni plated
Front Cover	ABS+PC, UL94V0
Rear Cable Management	SPCC, black coated

Related Products

UC P/N	Product Description
KPPG-WH	Panel Secure Plug, Transparent (Fits Gold Patch Cord only)
KPPG-YL	Panel Secure Plug, Yellow (Fits Gold Patch Cord only)



- FTP Smart Patch panel with 24 pieces ToolFast Cat.6A Shielded Keystone Jack (MJTR214).
- LED on each port for port activity indication.
- RJ45 port on panel back for communication to IMU.
- Supplied with rear cable management to ensure proper cable bending radius.
- Foldable rear cable management ideal for minimizing packaging size.
- RoHS Compliant.

Ordering Information

SAP IC	UC P/N	UC Material Code	Product Description	P.U
YLIBP01006	LI9771	UC C500 LI U BK 24 1U	19" 1U 24P Smart FTP Patch Panel, with module, Cat 6a	1pc/box

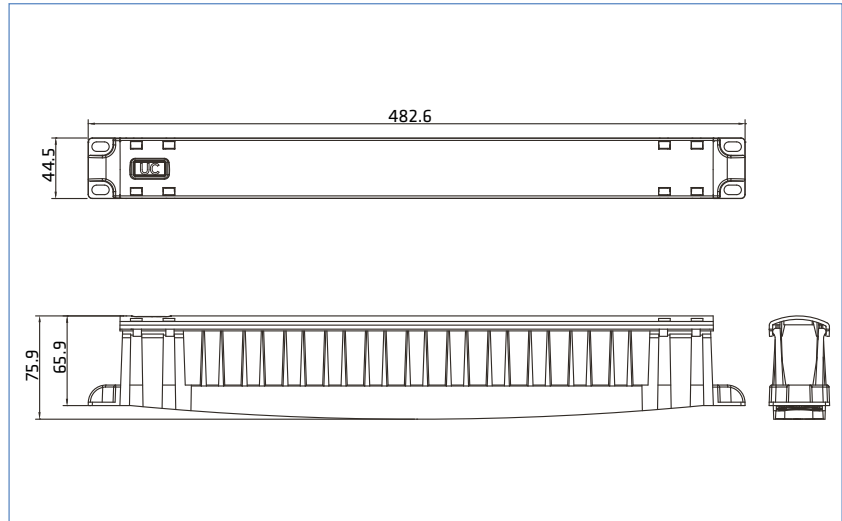
5.3 Cable Managements

UC CACC CM 1U

19" 1U cable management, Plastic light weight, Compact - 2.5 inch



- 1U Horizontal Cable Management.
- Hinged Front cover provides easy way to access and manage the patch cords.
- Complies with ANSI/TIA/EIA-310-D Cabinets, Racks, Panels and Associated Equipment.
- Light-weight design to save transportation cost.
- RoHS Compliant.

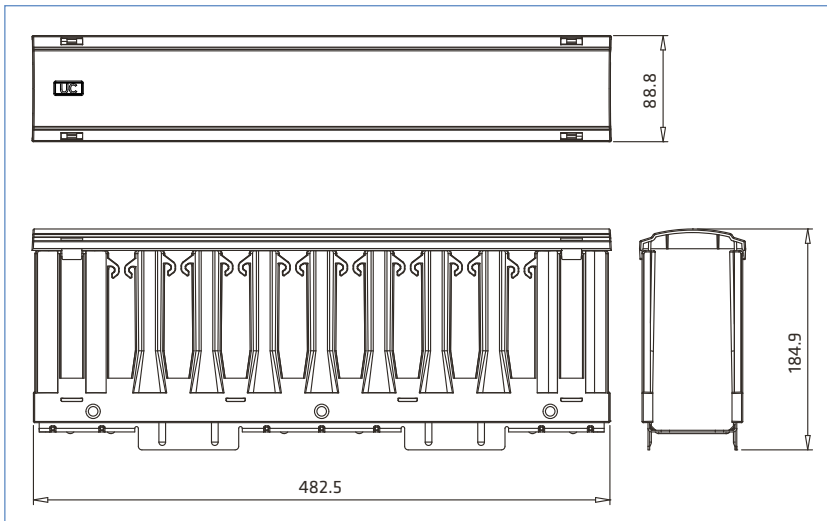


Ordering Information

SAP IC	UC P/N	UC Material Code	Product Description	P.U
YCMBP00349	CM1U9849	UC CACC CM 1U	19" 1U cable management, Plastic light weight, Compact - 2.5 inch	1pc/box

UC CACC CM 2U

19" 2U cable management, Plastic light weight, Compact - 2.5 inch



- 2U Horizontal Cable Management.
- Hinged Front cover provides easy way to access and manage the patch cords.
- Complies with ANSI/TIA/EIA-310-D Cabinets, Racks, Panels and Associated Equipment.
- Horizontal mountable design can be used as horizontal cable management as well.
- High Capacity Cable duct design.
- RoHS Compliant.

Ordering Information

SAP IC	UC P/N	UC Material Code	Product Description	P.U
YCMBP00350	CM2U9850	UC CACC CM 2U	19" 2U cable management, Plastic light weight, Compact - 2.5 inch	1pc/box

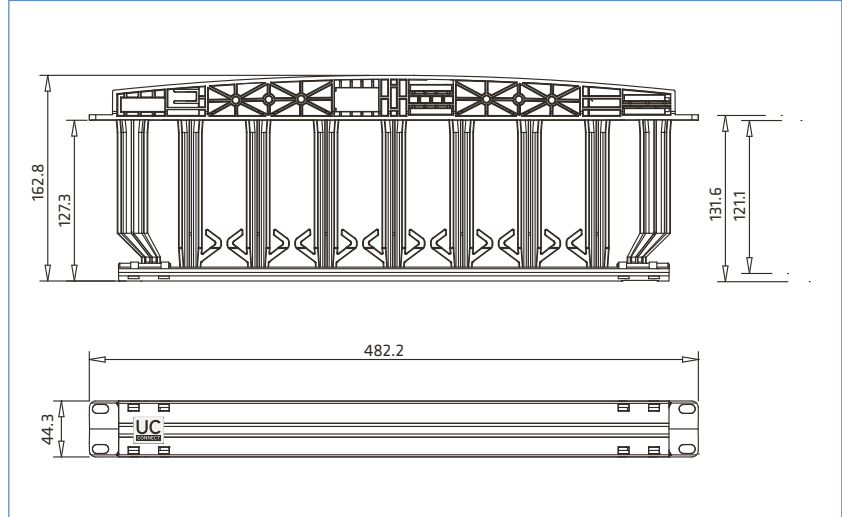
5.3 Cable Managements

UC CACC CM 1U V1

19" 1U cable management, Plastic light weight, Deep - 5 inch



- 1U Horizontal Cable Management.
- Hinged Front cover provides easy way to access and manage the patch cords.
- Complies with ANSI/TIA/EIA-310-D Cabinets, Racks, Panels and Associated Equipment.
- Light-weight design to save transportation cost.
- High Capacity Cable duct design.
- RoHS Compliant.

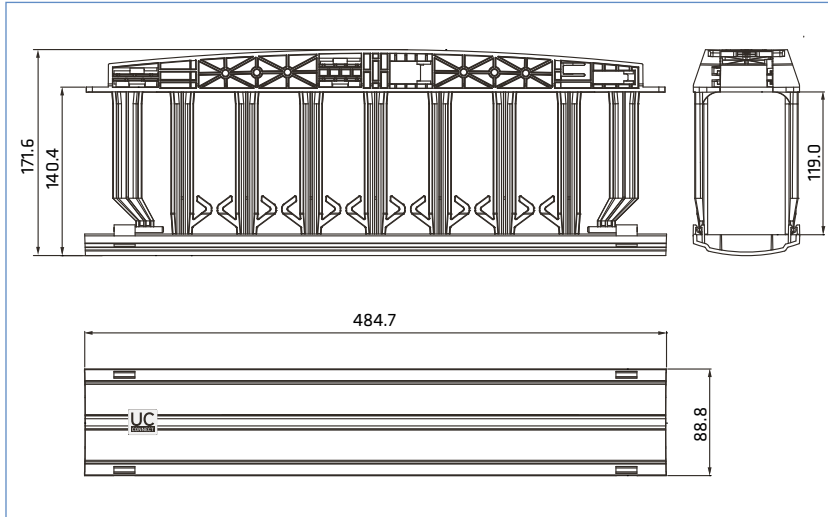


Ordering Information

SAP IC	UC P/N	UC Material Code	Product Description	P.U
YPPBP01573	CM1U9851	UC CACC CM 1U V1	19" 1U cable management, Plastic light weight, Deep - 5 inch	1pc/box

UC CACC CM 2U V1

19" 2U cable management, Plastic light weight, Deep - 5 inch



- 2U Horizontal Cable Management.
- Hinged Front cover provides easy way to access and manage the patch cords.
- Complies with ANSI/TIA/EIA-310-D Cabinets, Racks, Panels and Associated Equipment.
- Light-weight design to save transportation cost.
- High Capacity Cable duct design.
- RoHS Compliant.

Ordering Information

SAP IC	UC P/N	UC Material Code	Product Description	P.U
YPPBP01574	CM1U9852	UC CACC CM 2U V1	19" 2U cable management, Plastic light weight, Deep - 5 inch	1pc/box

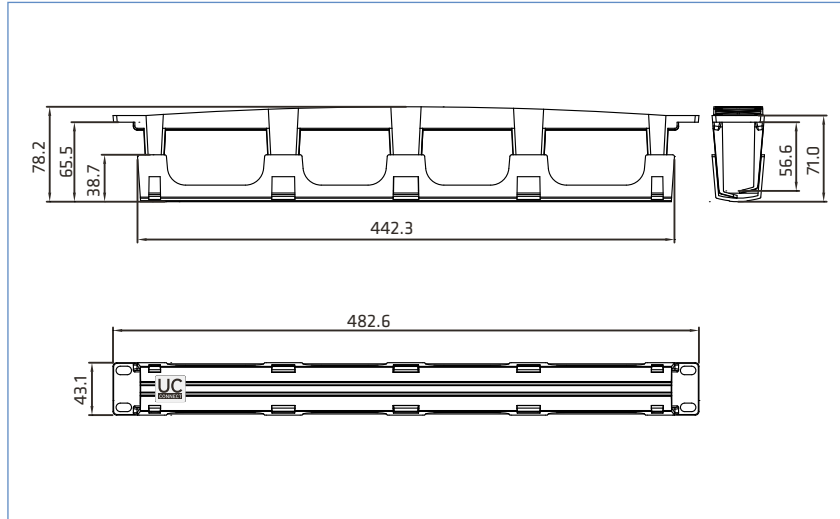
5.3 Cable Managements

UC CACC CM 1U V2

19" 1U cable management, Plastic light weight, Normal - 3 inch



- 1U Horizontal Cable Management.
- Supplied with Front Cover for neat cabling.
- Complies with ANSI/TIA/EIA-310-D Cabinets, Racks, Panels and Associated Equipment.
- Light-weight design to save transportation cost.
- RoHS Compliant.

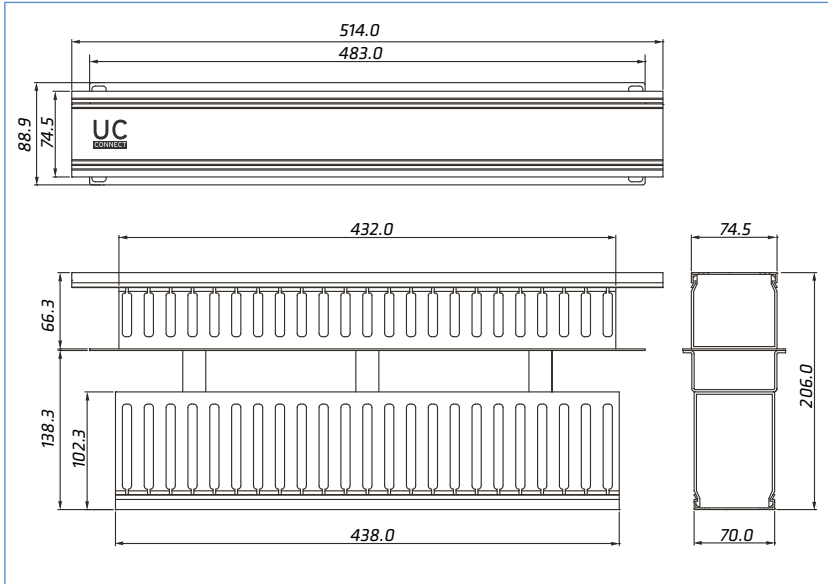


Ordering Information

SAP IC	UC P/N	UC Material Code	Product Description	P.U
YPPBP01575	CM1U9861	UC CACC CM 1U V2	19" 1U cable management, Plastic light weight, Normal - 3 inch	1pc/box

UC CACC CM 2U V3

19" 2U Cable management, light weight, Double side access



- 2U Double-side Horizontal Cable Management.
- Supplied with Front Cover for neat cabling.
- Complies with ANSI/TIA/EIA-310-D Cabinets, Racks, Panels and Associated Equipment.
- RoHS Compliant.

Ordering Information

SAP IC	UC P/N	UC Material Code	Product Description	P.U
YPPBP01576	CMU2U9863	UC CACC CM 2U V3	19" 2U Cable management, light weight, Double side access.	1pc/box



6. Faceplates & Accessories



6.1 FACEPLATES AND FRAME

UC CACC FP CO 01/V1	90
UC CACC FP CO 02/V1	91
UC CACC FP CA 01	92
UC CACC FP CA 02	92
UC CACC FP CA 04	92
UC CACC FP 01 6C	93
UC CACC FP 02 6C	93
UC CACC MA 01 6C	94
UC CACC AA 01 6C	94
UC CACC BI 01 6C	94
UC CACC FP CO 01 V2	95
UC CACC FP CO 02 V2	95
UC CACC FP CO 03	96
UC CACC FP CO 04	96

6.2 SURFACE MOUNT BOX

UC CACC DB 02	97
UC CACC DB 04	97
UC CACC DB 06	98
UC CAOF DB 06	98
UC CAOF OA TD	99
UC CAOF OA SD	99
UC CACC OA K1	100
UC CACC OA K2	100
UC CAOF OA LD	101
UC CAOF OA MT	101
UC CAOF BI	101

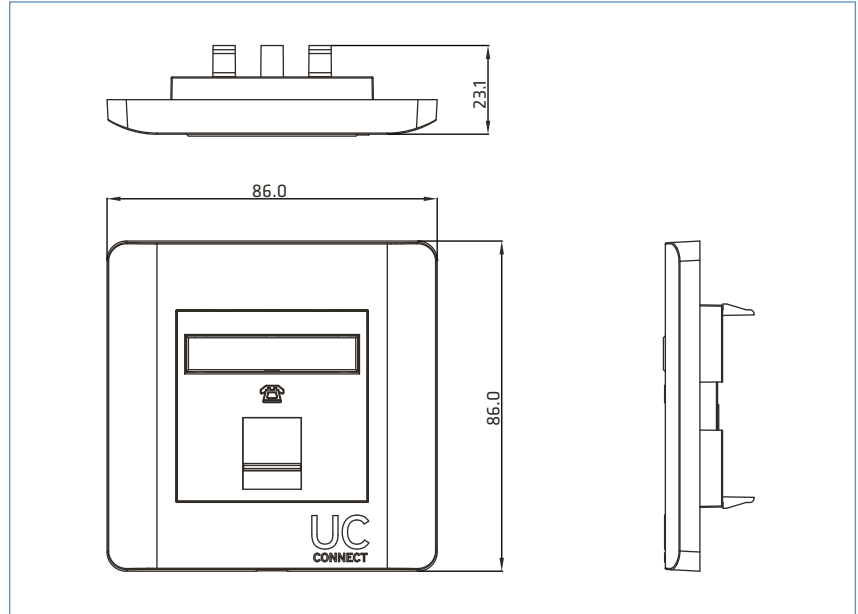
6.1 Faceplate and Frame

UC CACC FP CO 01/V1

BS Flat Faceplate, 1-port, Classic, Metallic Coat Silver-Grey/Gold-White



- RoHS Compliant.

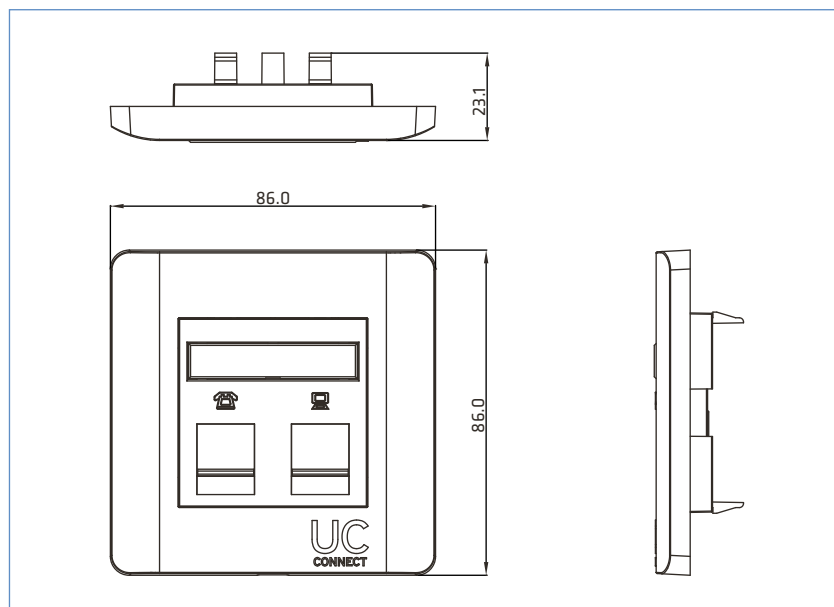


Ordering Information

SAP IC	UC P/N	UC Material Code	Product Description	P.U
YFPBP00354	FPC01086	UC CACC FP CO 01	BS Flat Faceplate, 1-port, Classic, Metallic Coat Silver-Grey	1pc/bag
YPPBP01577	FPC01086G	UC CACC FP CO 01 V1	BS Flat Faceplate, 1-port, Classic, Metallic Coat Gold-White	1pc/bag

UC CACC FP CO 02/V1

BS Flat Faceplate, 2-ports, Classic, Metallic Coat Silver-Grey/Gold-White



6.1 Faceplate and Frame



- RoHS Compliant.

Ordering Information

SAP IC	UC P/N	UC Material Code	Product Description	P.U
YFPBP00355	FPC01087	UC CACC FP CO 02	BS Flat Faceplate, 2-ports, Classic, Metallic Coat Silver-Grey	1pc/bag
YPPBP01578	FPC01087G	UC CACC FP CO 02 V1	BS Flat Faceplate, 2-ports, Classic, Metallic Coat Gold-White	1pc/bag

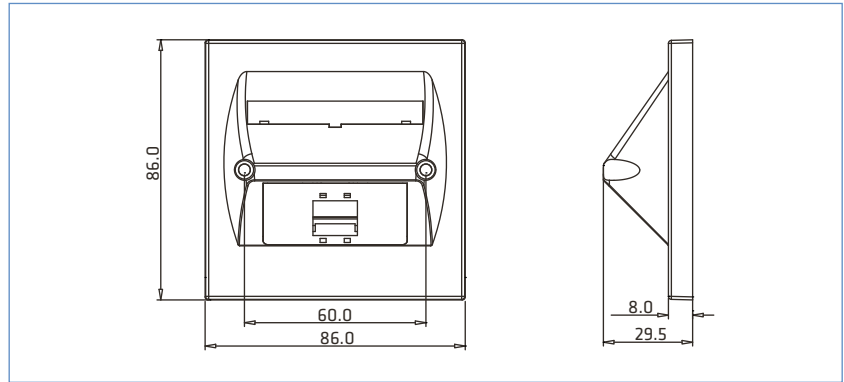
6.1 Faceplate and Frame

UC CACC FP CA 01

10G BS Angle Faceplate, 1-port , White



• RoHS Compliant.

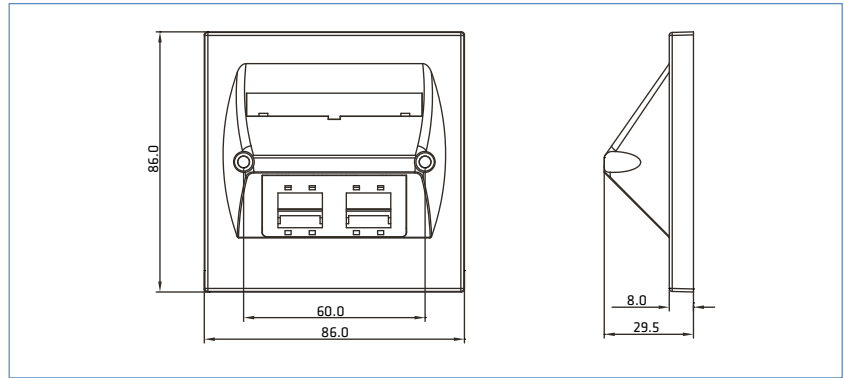


UC CACC FP CA 02

10G BS Angle Faceplate, 2-ports , White



• RoHS Compliant.

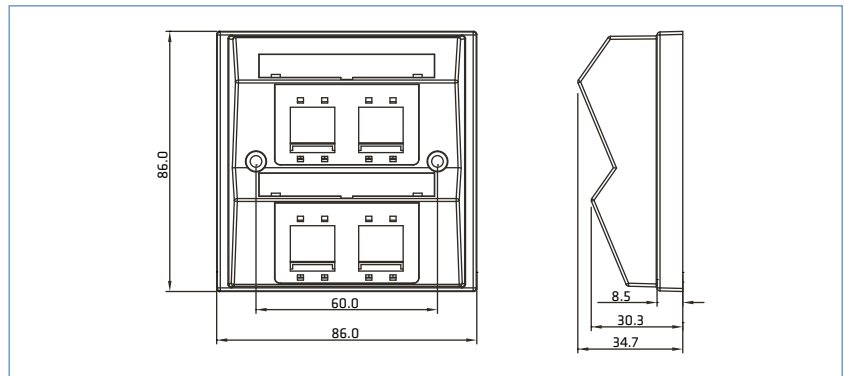


UC CACC FP CA 04

10G BS Angle Faceplate, 4-ports , White



• RoHS Compliant.

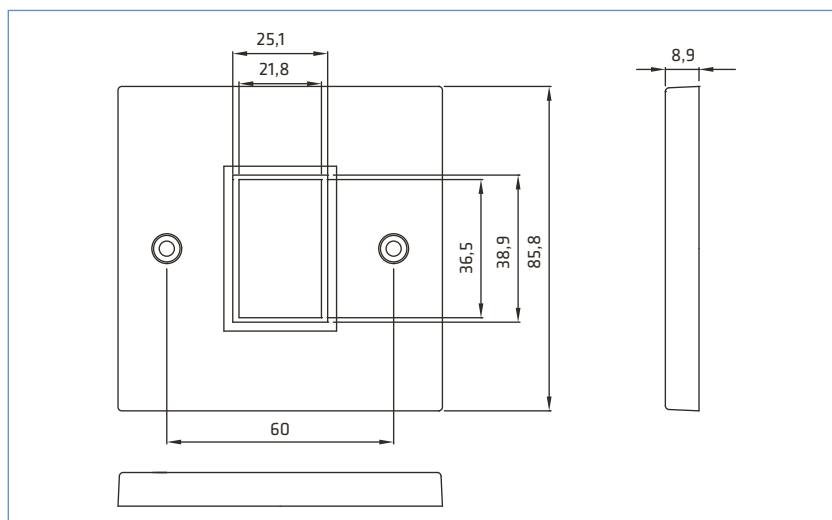


Ordering Information

SAP IC	UC P/N	UC Material Code	Product Description	P.U
YFPBP00351	FPCA9286	UC CACC FP CA 01	10G BS Angle Faceplate, 1-port , White	1pc/bag
YFPBP00352	FPCA9287	UC CACC FP CA 02	10G BS Angle Faceplate, 2-ports , White	1pc/bag
YFPBP00353	FPCA9288	UC CACC FP CA 04	10G BS Angle Faceplate, 4-ports , White	1pc/bag

UC CACC FP 01 6C

Single port UK frame, 86x86 (LJ6C Type)



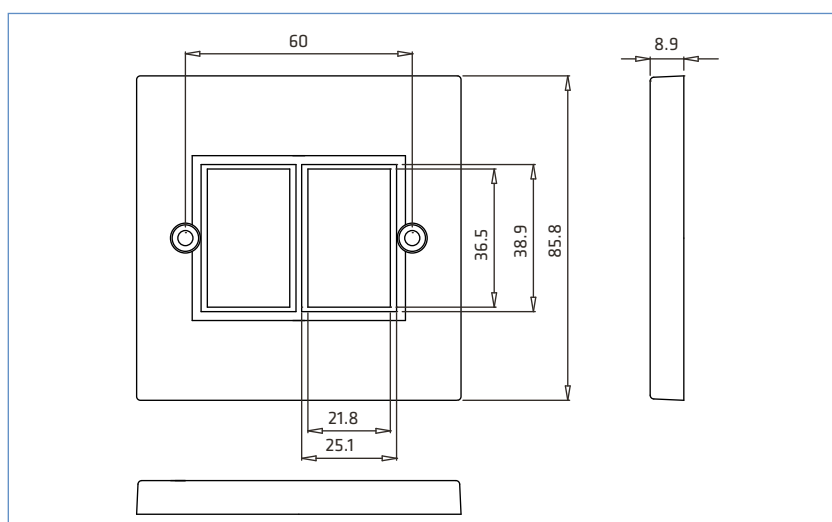
- Fits LJ6C Single Adaptor and Blank Inserts. (Pg 94)
- RoHS Compliant.

Ordering Information

SAP IC	UC P/N	UC Material Code	Product Description	P.U
YFPBP00125	FP011331	UC CACC FP 01 6C	Single port UK frame, 86x86 (LJ6C Type)	1pc/bag

UC CACC FP 02 6C

Dual port UK frame, 86x86 (LJ6C Type)



- Fits LJ6C Single Adaptor and Blank Inserts. (Pg 94)
- RoHS Compliant.

Ordering Information

SAP IC	UC P/N	UC Material Code	Product Description	P.U
YFPBP00126	FP011332	UC CACC FP 02 6C	Dual port UK frame, 86x86 (LJ6C Type)	1pc/bag

6.1 Faceplate and Frame



- Fits Single/Dual Port UK Frame (Pg 93)
- RoHS Compliant.



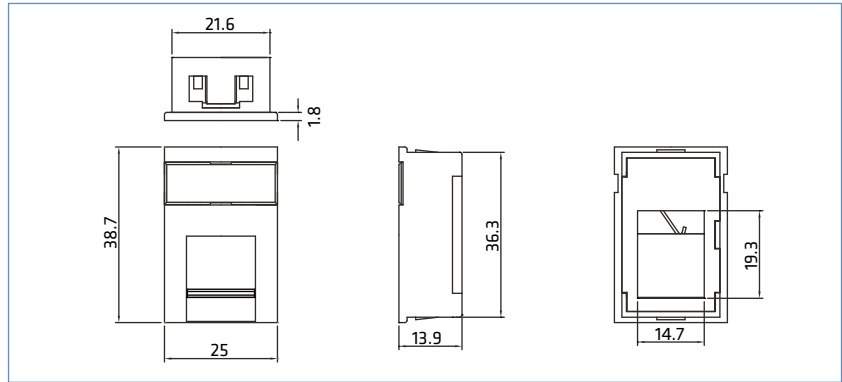
- Fits Single/Dual Port UK Frame (Pg 93)
- RoHS Compliant.



- Fits Single/Dual Port UK Frame (Pg 93)
- RoHS Compliant.

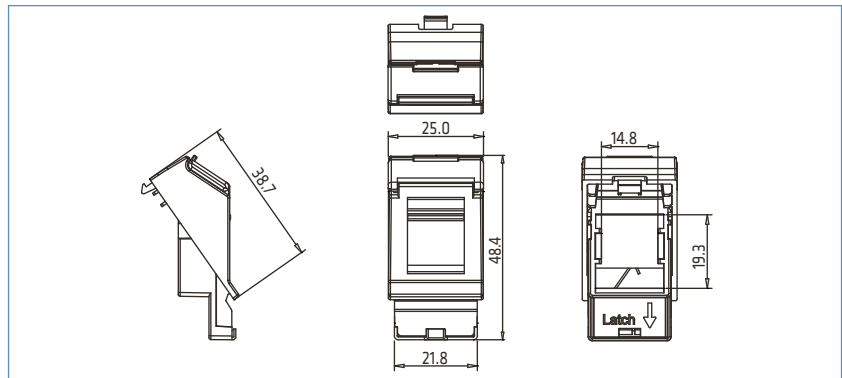
UC CACC MA 01 6C

LJ6C Flat Single Adaptor, 38 x 25



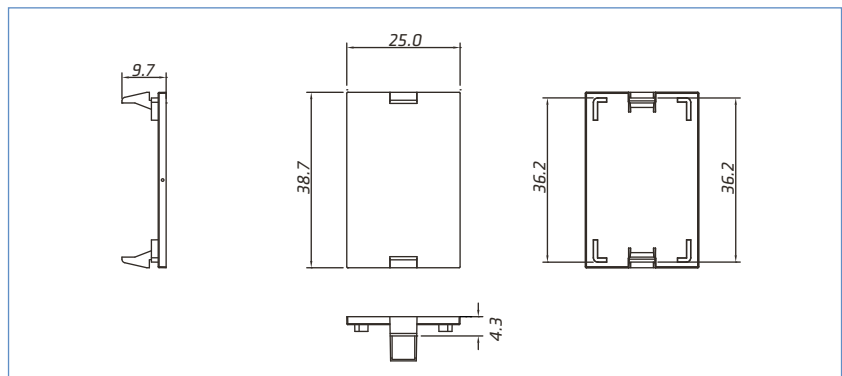
UC CACC AA 01 6C

LJ6C Angled Single Adaptor, 38 x 25



UC CACC BI 01 6C

LJ6C Blank Insert, 38 x 25

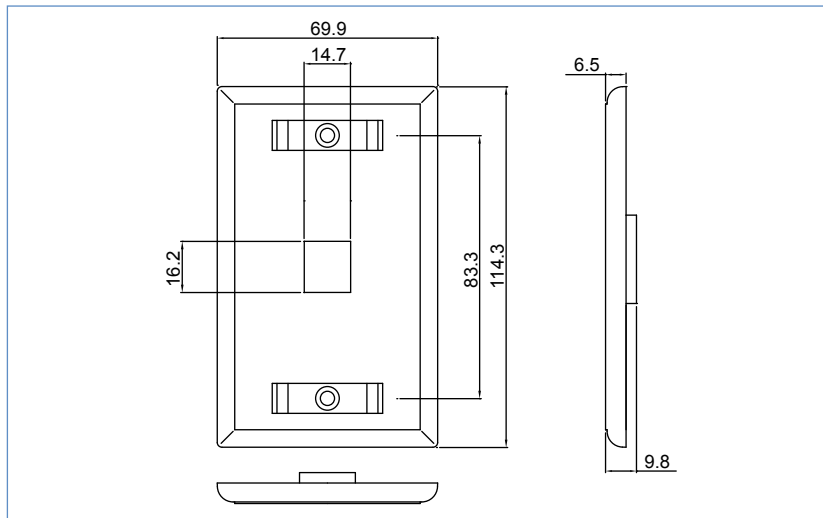


Ordering Information

SAP IC	UC P/N	UC Material Code	Product Description	P.U
YMABP00131	MA1337	UC CACC MA 01 6C	LJ6C Flat Single Adaptor, 38 x 25	1pc/bag
YAABP00132	AA1338	UC CACC AA 01 6C	LJ6C Angled Single Adaptor, 38 x 25	1pc/bag
YAABP00133	BI1339	UC CACC BI 01 6C	LJ6C Blank Insert, 38 x 25	1pc/bag

UC CACC FP CO 01 V2

Wide, Flat Faceplate, 1-port, White



• RoHS Compliant.

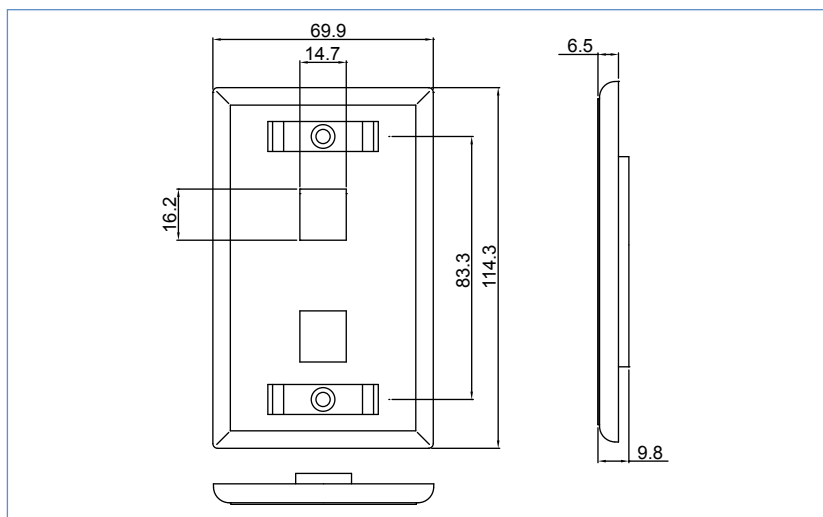
6.1 Faceplate and Frame

Ordering Information

SAP IC	UC P/N	UC Material Code	Product Description	P.U
YFPBP00134	FPCO1090	UC CACC FP CO 01 V2	Wide, Flat Faceplate, 1-port, White	1pc/bag

UC CACC FP CO 02 V2

Wide, Flat Faceplate, 2-port, White



• RoHS Compliant.

Ordering Information

SAP IC	UC P/N	UC Material Code	Product Description	P.U
YFPBP00135	FPCO1091	UC CACC FP CO 02 V2	Wide, Flat Faceplate, 2-port, White	1pc/bag

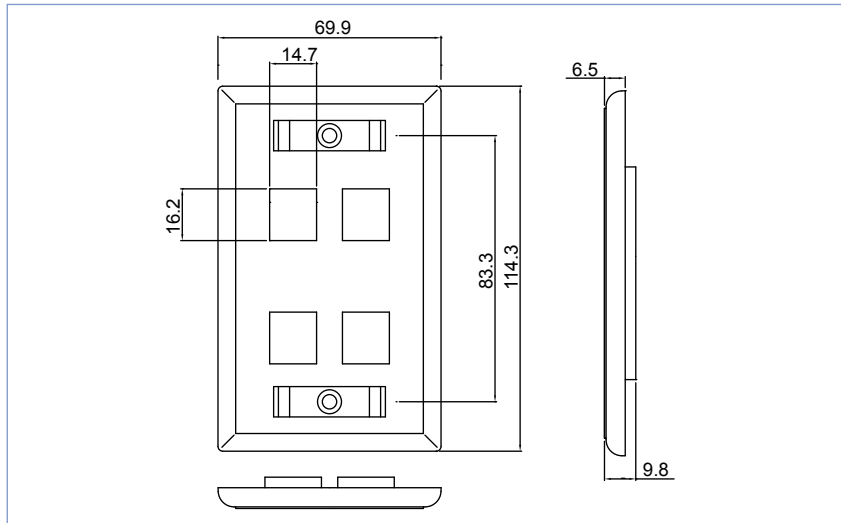
6.1 Faceplate and Frame

UC CACC FP CO 03

Wide, Flat Faceplate, 4-port, White



• RoHS Compliant.



Ordering Information

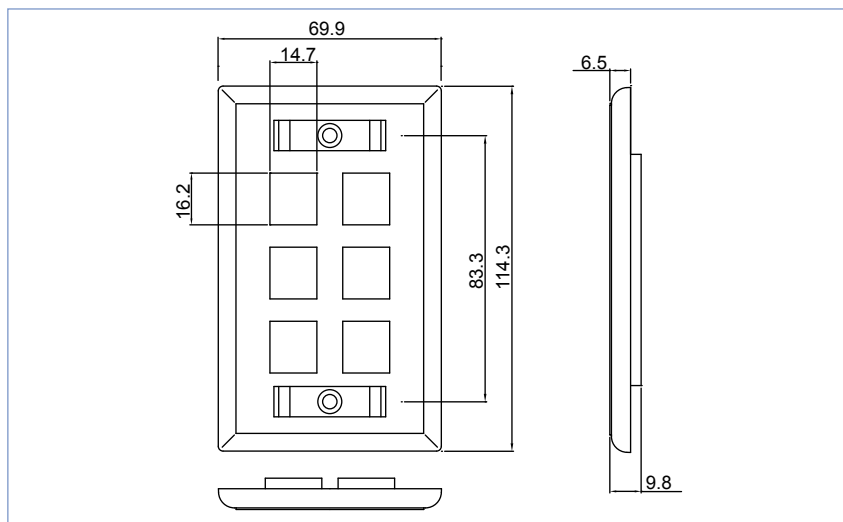
SAP IC	UC P/N	UC Material Code	Product Description	P.U
YMABP00136	FPC01092	UC CACC FP CO 03	Wide, Flat Faceplate, 4-port, White	1pc/bag

UC CACC FP CO 04

Wide, Flat Faceplate, 6-port, White



• RoHS Compliant.

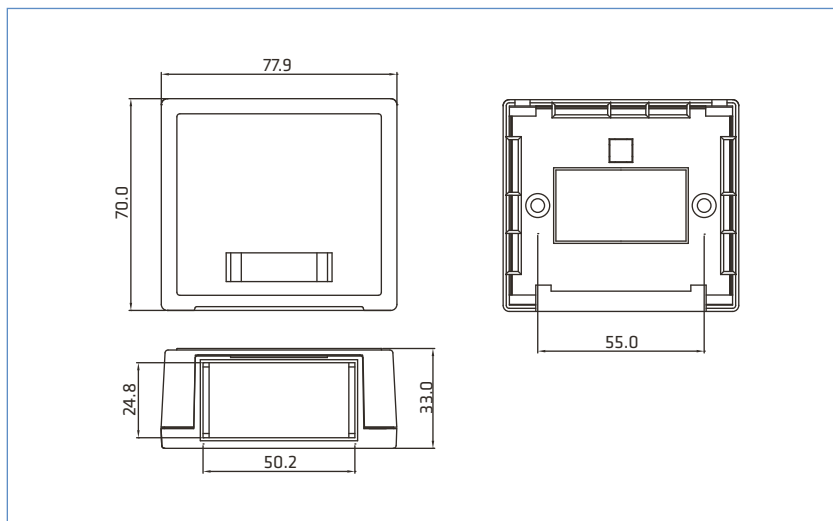


Ordering Information

SAP IC	UC P/N	UC Material Code	Product Description	P.U
YAABP00137	FPC01093	UC CACC FP CO 04	Wide, Flat Faceplate, 6-port, White	1pc/bag

UC CACC DB 02

10G Surface Mount Box, 2-ports, White ,NHD



6.2 Surface Mount Box



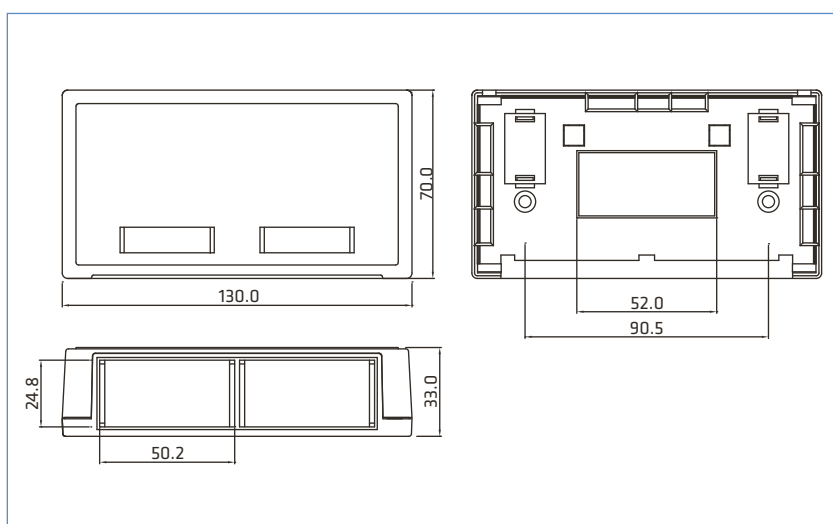
- Fits keystone snap-in modules (Pg 100)
- RoHS Compliant.

Ordering Information

SAP IC	UC P/N	UC Material Code	Product Description	P.U
YDBBP00356	DB9252	UC CACC DB 02	10G Surface Mount Box, 2-ports, White ,NHD	1pc/bag

UC CACC DB 04

10G Surface Mount Box, 4-ports, White ,NHD



- Fits keystone snap-in modules (Pg 100)
- RoHS Compliant.

Ordering Information

SAP IC	UC P/N	UC Material Code	Product Description	P.U
YDBBP00357	DB9254	UC CACC DB 04	10G Surface Mount Box, 4-ports, White ,NHD	1pc/bag

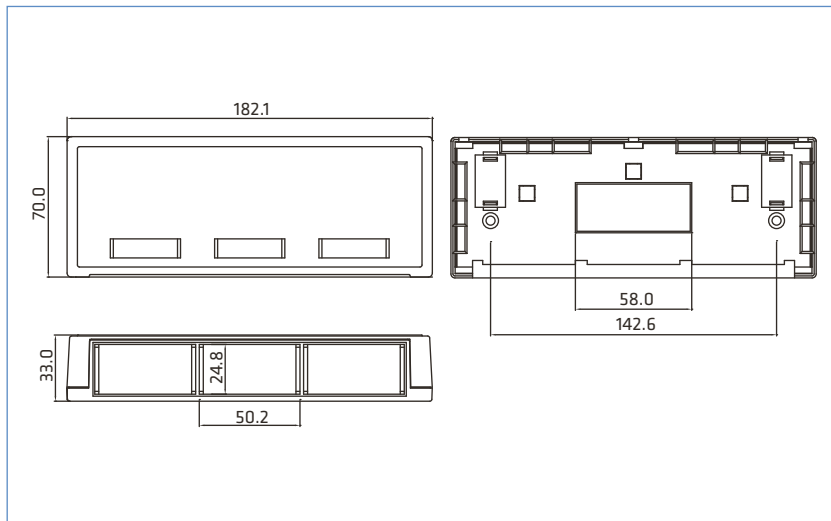
6.2 Surface Mount Box

UC CACC DB 06

10G Surface Mount Box, 6-ports, White



- Fits keystone snap-in modules (Pg 100)
- RoHS Compliant.



Ordering Information

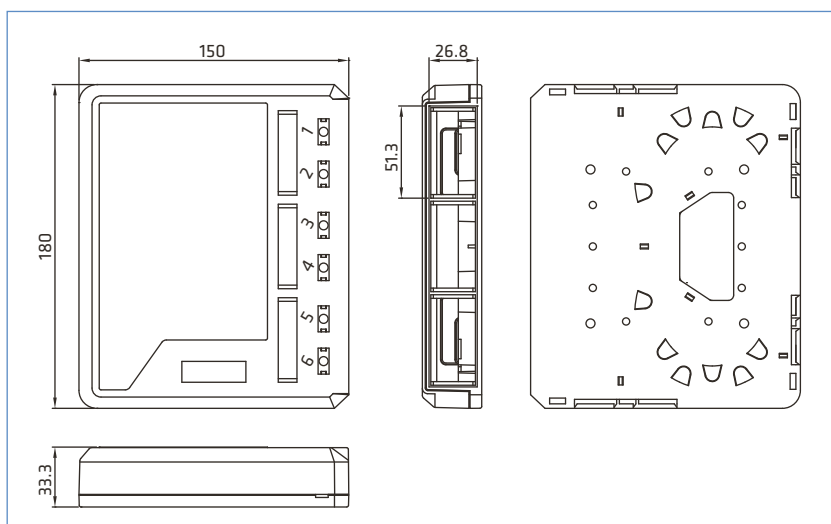
SAP IC	UC P/N	UC Material Code	Product Description	P.U
YDBBP00358	DB9256	UC CACC DB 06	10G Surface Mount Box, 6-ports, White	1pc/bag

UC CAOF DB 06

Fiber Surface Mount Box, 6-ports, White



- Fits keystone snap-in modules (Pg 99 & 101)
- RoHS Compliant.

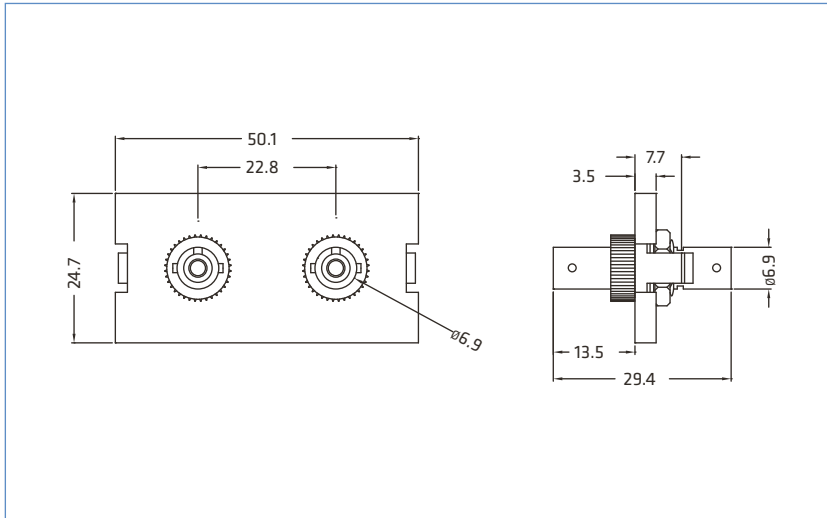


Ordering Information

SAP IC	UC P/N	UC Material Code	Product Description	P.U
YDBBP00359	DB7556	UC CAOF DB 06	Fibre Surface Mount Box, 6-ports, White	1pc/bag

UC CAOF OA TD

1" Snap-in module, ST duplex Adapter



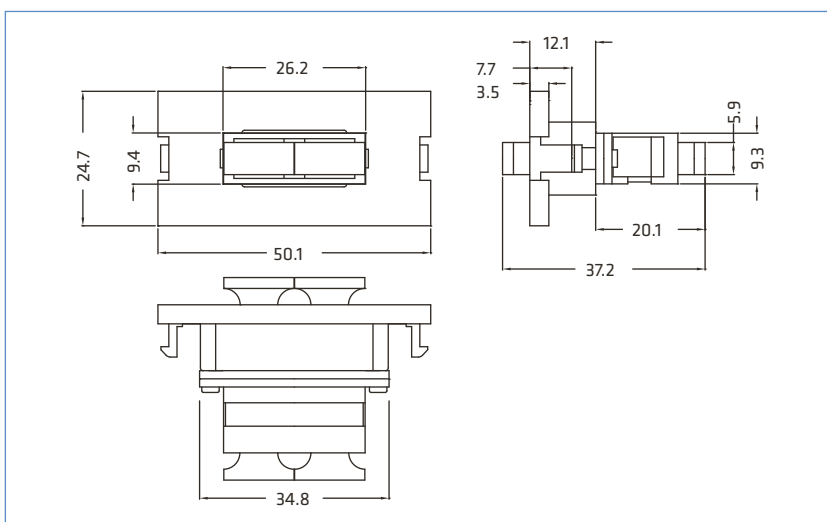
- Fits Fibre Surface Mount Box (Pg 98)
- RoHS Compliant.

Ordering Information

SAP IC	UC P/N	UC Material Code	Product Description	P.U
YOABP00360	OA7556-ST	UC CAOF OA TD	1" Snap-in module, ST duplex Adapter	1pc/bag

UC CAOF OA SD

1" Snap-in module, SC duplex Adapter



- Fits Fibre Surface Mount Box (Pg 98)
- RoHS Compliant.

Ordering Information

SAP IC	UC P/N	UC Material Code	Product Description	P.U
YOABP00361	OA7556-SC	UC CAOF OA SD	1" Snap-in module, SC duplex Adapter	1pc/bag

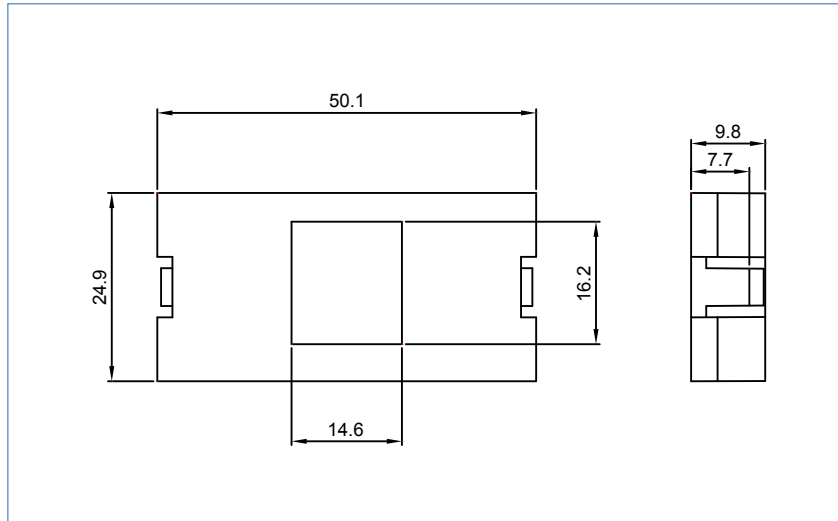
6.3 Snap-In Module



- Fits 10G Surface Mount Box (Pg 97 & 98)
- RoHS Compliant.

UC CACC OA K1

1" Snap-in module, Single Keystone Adaptor



Ordering Information

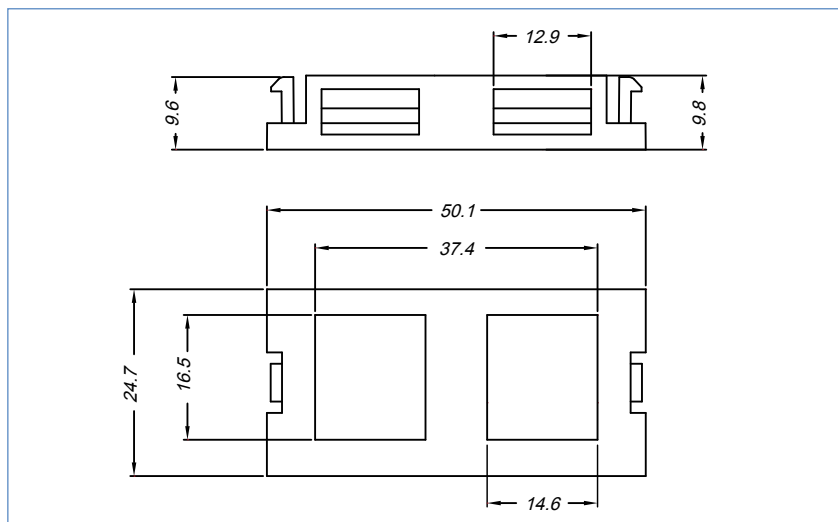
SAP IC	UC P/N	UC Material Code	Product Description	P.U
YMABP01912	OA952-K1	UC CACC MA RP 1	1" Snap-in module, Single Keystone Adaptor	1pc/bag



- Fits 10G Surface Mount Box (Pg 97 & 98)
- RoHS Compliant.

UC CACC OA K2

1" Snap-in module, Double Keystone Adaptor

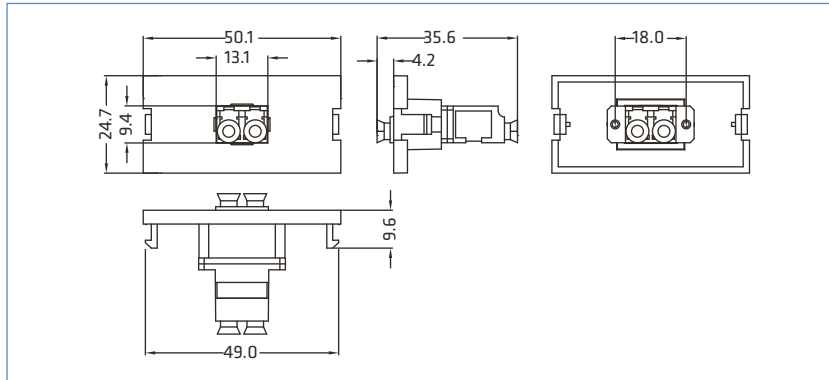


Ordering Information

SAP IC	UC P/N	UC Material Code	Product Description	P.U
YMABP01913	OA952-K2	UC CACC MA RP 2	1" Snap-in module, Double Keystone Adaptor	1pc/bag

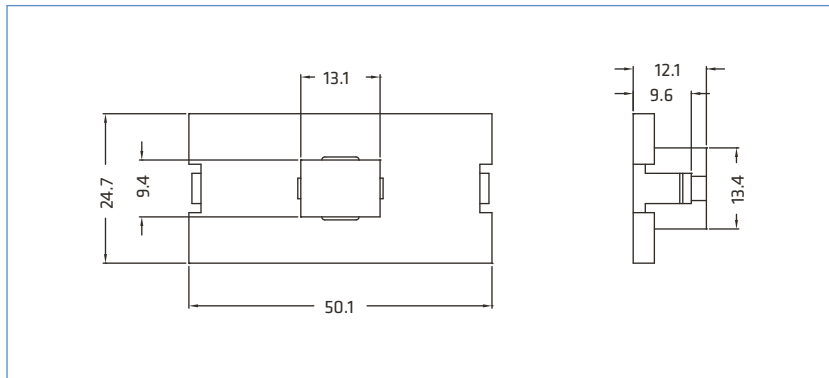
UC CAOF OA LD

1" Snap-in module, LC duplex Adapter



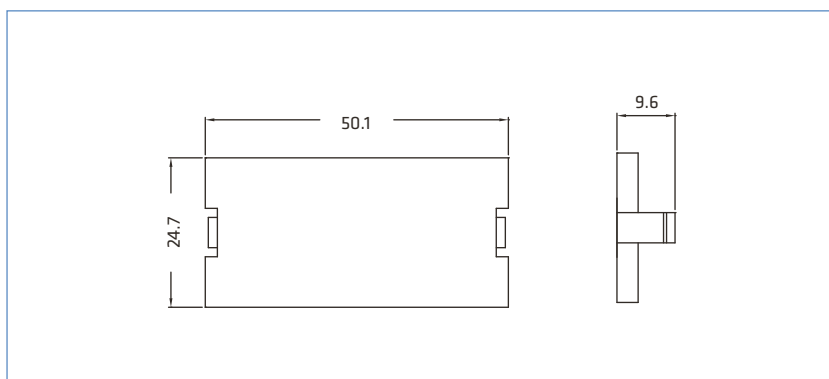
UC CAOF OA MT

1" Snap-in module, MTRJ Adapter



UC CAOF BI

1" Blank Module



6.3 Snap-In Module



- Fits Fibre Surface Mount Box (Pg 98)
- RoHS Compliant.



- Fits Fibre Surface Mount Box (Pg 98)
- RoHS Compliant.



- Fits Fibre Surface Mount Box (Pg 98)
- RoHS Compliant.

Ordering Information

SAP IC	UC P/N	UC Material Code	Product Description	P.U
YOABP00362	OA7556-LC	UC CAOF OA LD	1" Snap-in module, LC duplex Adapter	1pc/bag
YOABP00363	OA7556-MTRJ	UC CAOF OA MT	1" Snap-in module, MTRJ Adapter	1pc/bag
YBIBP00364	OA7556-bk	UC CAOF BI	1" Blank Module	1pc/bag



7. Tools & Security



UC CACC CJ

Tool Fast for MJTR 9 Series Keystones

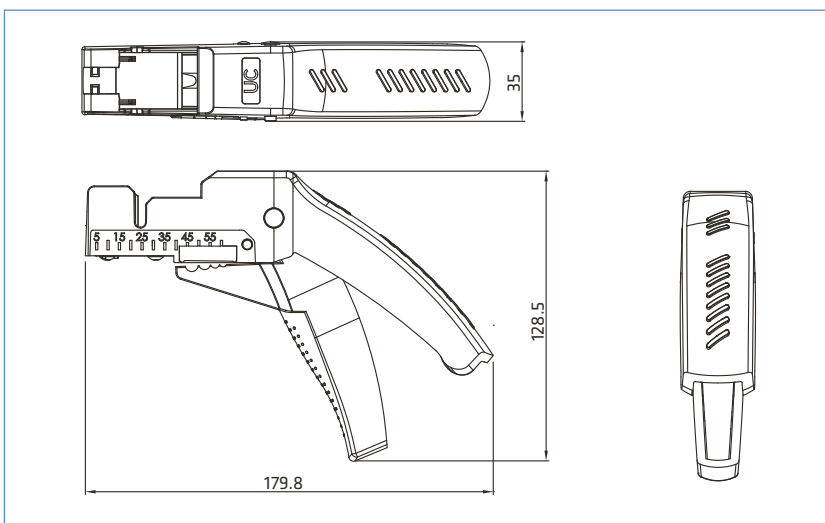
Specification

Item	Description
Housing	Polycarbonate
Blade	Steel

Tool



- UC special termination tool.
- Length-meter and cable stripper for efficient preparation of termination.
- Dynamic Jack-seat design makes the allocation of jack quick and easy.
- Press & cut 8 conductors at once saves installation time.
- Accurate and clean cut makes the installation consistent and reduce the failure rate by installers.
- Renewable wire-cutting blade for durable installation.
- RoHS Compliant.



Ordering Information

SAP IC	UC P/N	UC Material Code	Product Description	P.U
YCJBP00397	CJ9240	UC CACC CJ	Tool Fast for MJTR 9 Series Keystones	1pc/box

Tool

UC CACC CJ V1

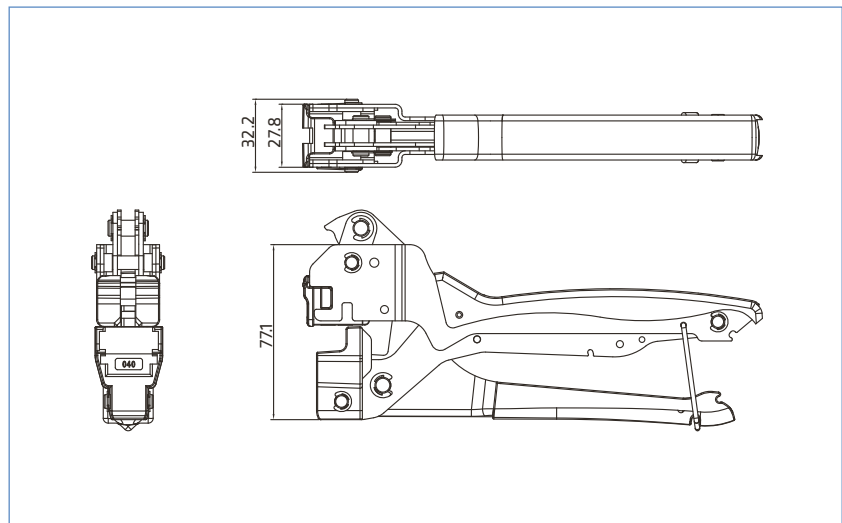
Punch down Tool for MJTR 8 Series Keystones



- Press & cut 8 conductors at once saves installation time.
- Accurate and clean cut makes the installation consistent and reduce the failure rate by installers.
- Renewable wire-cutting blade for durable installation.
- Tool may be stowed by using the integrated lock.
- RoHS Compliant.

Specification

Item	Description
Handle	Steel, Black Oxide
Jack Holder	Nylon + 30% GF
Blade	Steel

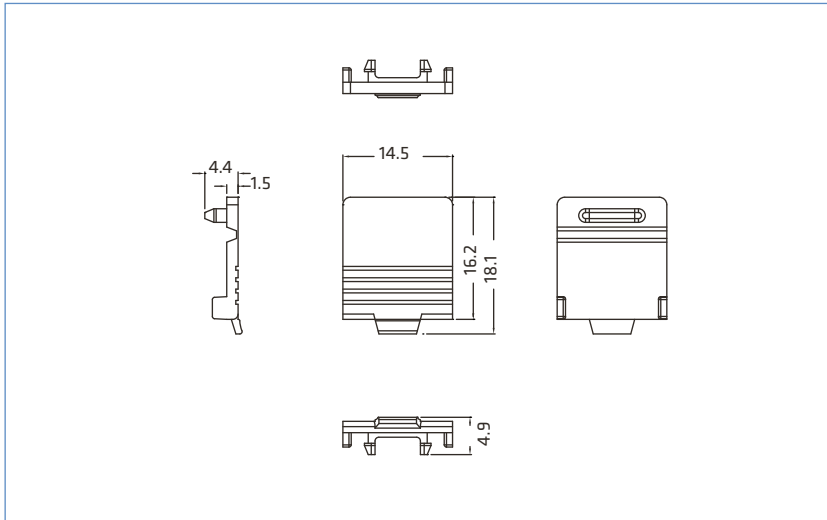


Ordering Information

SAP IC	UC P/N	UC Material Code	Product Description	P.U
YPPBP01579	CJ9340	UC CACC CJ V1	Punch down Tool for MJTR 8 Series Keystones	1pc/box

UC CACC CP BK

24P, Punchdown Type Panel Cover Plate, Black



Dust Cover



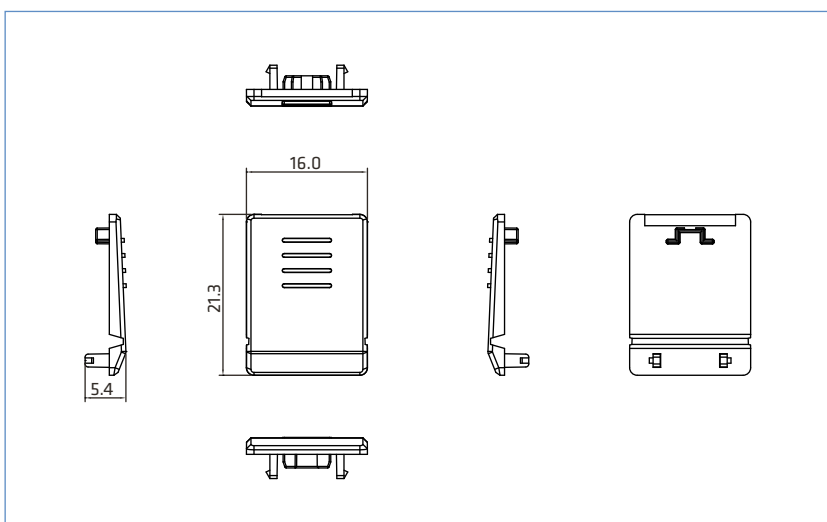
• RoHS Compliant.

Ordering Information

SAP IC	UC P/N	UC Material Code	Product Description	P.U
YCPBP00368	PUCP-BK	UC CACC CP BK	24P, Punchdown Type Panel Cover Plate, Black	10pc/bag

UC CACC KP BK

24P Keystone Panel Cover Plate, Black



• RoHS Compliant.

Ordering Information

SAP IC	UC P/N	UC Material Code	Product Description	P.U
YKBP00377	KPCP-BK	UC CACC KP BK	24P Keystone Panel Cover Plate, Black	10pc/bag

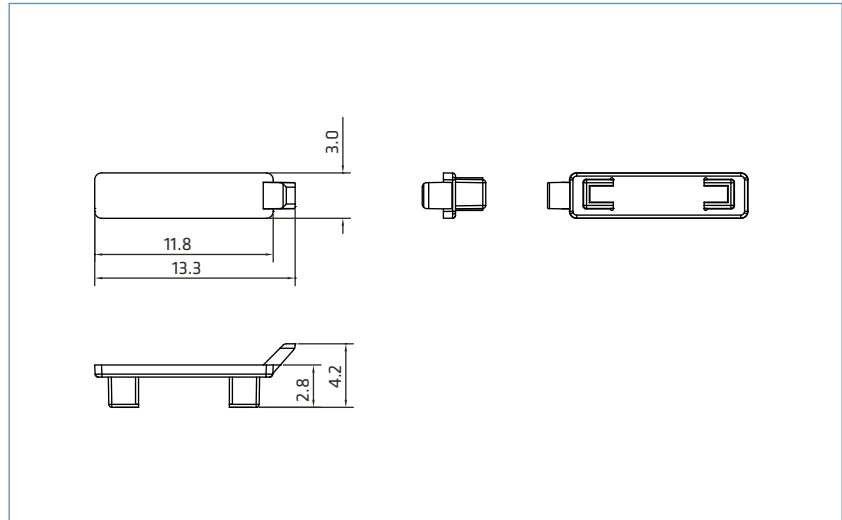
Security Device

UC CACC KI BK

24P Keystone Panel Icon, Black



• RoHS Compliant.



Ordering Information

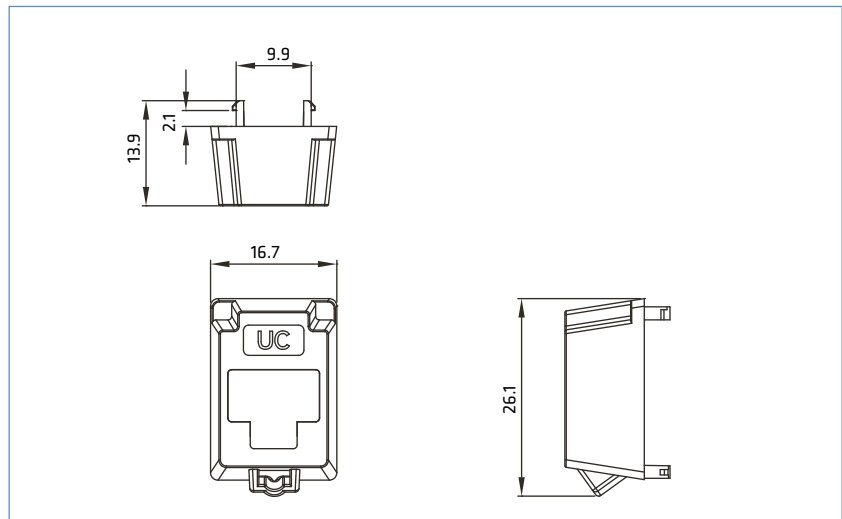
SAP IC	UC P/N	UC Material Code	Product Description	P.U
YKIBP00386	KPCP9223-BK	UC CACC KI BK	24P Keystone Panel Icon, Black	10pc/bag

UC CACC PG WH/YL

Panel Secure Plug, Transparent/Yellow



• RoHS Compliant.

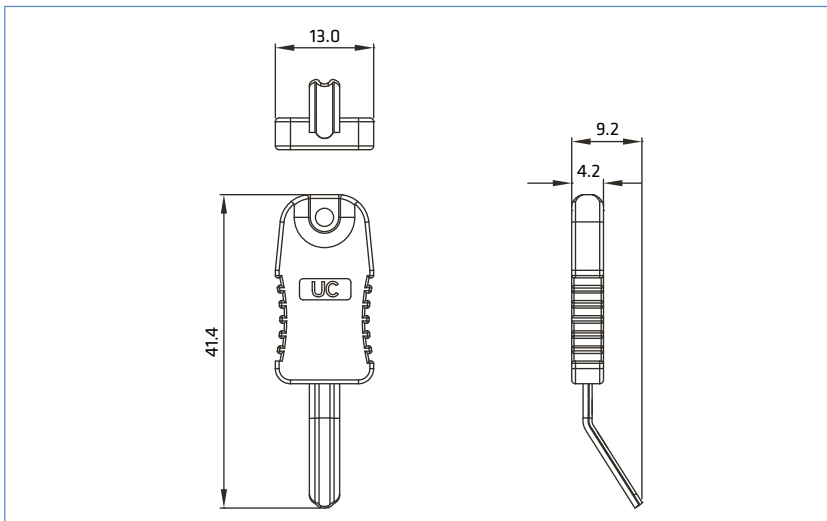


Ordering Information

SAP IC	UC P/N	UC Material Code	Product Description	P.U
YGPBP00392	KPPG-WH	UC CACC PG WH	Panel Secure Plug, Transparent	10pc/bag
YGPBP00395	KPPG-YL	UC CACC PG YL	Panel Secure Plug, Yellow	10pc/bag

UC CACC PK

Key to release Secure Plug



Security Device



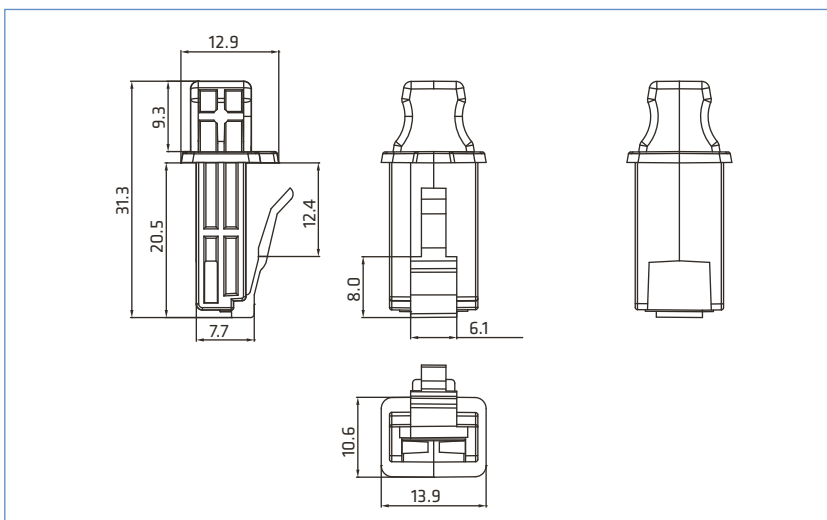
• RoHS Compliant.

Ordering Information

SAP IC	UC P/N	UC Material Code	Product Description	P.U
YPKBP00396	KPPGK	UC CACC PK	Key to release Secure Plug	10pc/bag

UC CACC CS

Cover for Panel Secure Plug



• RoHS Compliant.

Ordering Information

SAP IC	UC P/N	UC Material Code	Product Description	P.U
YCSBP01690	KPPGC	UC CACC CS	Cover for Panel Secure Plug	10pc/bag

The background features a dynamic composition of light trails. In the upper portion, several thin, dark fiber optic cables are visible, each with a bright white point of light at its tip. Below these, a series of thick, curved, glowing orange and yellow lines sweep across the frame, creating a sense of motion and energy. The overall color palette is dominated by deep blues and vibrant oranges, with a white semi-transparent band containing the text.

8. Fibre Optic

Utmost accuracy during the manufacturing process – this is the “secret” of a high-capacity optical fibre. Only top quality permits an optimum data transmission – especially in the new high-speed networks. The necessary processes such as the plasma-activated deposition (PCVD) require state-of-the-art manufacturing techniques.

Maximum link distances due to laser-optimized fibres

The cost-effective 10 Gbit Ethernet at 850nm is ideally supported by MaxCap OM3. Without re-installations, idle times and additional investments, it makes distances possible which allow the change to the next faster transmission protocol by using the existing network structure on the same infrastructure. It does not matter whether it concerns the frequently used applications with light emitting diodes (LED) or new interfaces on the basis of VCSELs.

MaxCap OM4 - blue print for new multimode fibre standard

OM4 multimode fibre is ideal for 10G ink applications requiring a higher power budget, for example when more connectors are required, which is the case in Data Centres. They are also perfect for 10G applications requiring a longer distance than 300 meters (up to 550 meters). Finally, OM4 fibres are future proof, especially for 40 Gb/s and 100 Gb/s Ethernet solutions.

BendBright®-XS technology

The key feature in the fibre design that allows for significant improvement in macro bending performance is the insertion of a field confining “trench” in the fibre cladding. This trench reduces the optical power in the region just outside the guiding core, which is very beneficial in keeping the signal inside the fibre when the fibre is bent. BendBright®-XS technology facilitates convincing benefits:

- 10-100x bending improvement over standard fibres
- Fully backwards compatible with i.e. G.652.D standard single mode fibre
- gives operators peace of mind at no extra cost

Cabled optical fibre data sheets

This section shows the transmission properties of the Datacom cables based upon different fibre types.

The standard fibres in a glance:

	OM1	OM2	MaxCap-BB-OM3	MaxCap-BB-OM4	ESMF	Bendbright®-XS
Attenuation 850 nm	≤ 3.2 dB/km	≤ 2.7 dB/km	≤ 3.0 dB/km	≤ 3.0 dB/km		
Attenuation 1300 nm	≤ 1.0 dB/km	≤ 0.8 dB/km	≤ 1.0 dB/km	≤ 1.0 dB/km		
Attenuation 1310 nm					≤ 0.39 dB/km	≤ 0.38 dB/km
Attenuation 1550 nm					≤ 0.25 dB/km	≤ 0.23 dB/km
Bandwidth 850 nm	200 MHz·km	500 MHz·km	1500 MHz·km	3500 MHz·km		
Bandwidth EMB 850 nm			2000 MHz·km	4700 MHz·km		
Bandwidth 1300 nm	600 MHz·km	500 MHz·km	500 MHz·km	500 MHz·km		

OM1 standard 62.5/125 µm multimode fibre

Application: This fibre is a graded-index multimode fibre suitable for transmission speeds of up to 10 Gb/s. It has a 62.5 µm core diameter and a 125 µm cladding diameter. The fibre is designed for use at 850 and/or 1300 nm. This fibre is suitable for use in premises wiring application like LAN's with video, data and or voice services using LED, VCSEL and Fabry-Perot laser sources.

OM2 standard 50/125 µm multimode fibre

Application: This fibre is a graded-index multimode fibre suitable for transmission speeds of up to 10 Gb/s. It has a 50 µm core diameter and a 125 µm cladding diameter. The fibre is designed for use at 850 and/or 1300 nm. This fibre is suitable for use in premises wiring application like LAN's with video, data and or voice services using LED, VCSEL and Fabry-Perot laser sources.

MaxCap-BB-OM3 multimode fiber

Application: This fibre is a laser-optimised, graded-index multimode OM3 fibre suitable for transmission speeds of 10 Gb/s or higher. It has a 50 µm core diameter and a 125 µm cladding diameter. The fibre is optimised for maximum transmission properties at 850 nm; but is also well suited for 1300 nm systems. This fibre is fully compliant to the OM3 specification. The fibre supports 1000 m link length for a 1000BASE-SX system and 300 m for 10GBASE-SX, as well as 550 m for a 1000BASE-LX system. The outstanding bending performance of this fibre supports future compact cable management.

Multimode Standards

IEC/EN 60793

ITU-T/Recommendation G.651

ISO/IEC 11801

Telcordia GR-20-Core and GR-409-Core

ANSI TIA/EIA-492AAA

MaxCap-BB-OM4 multimode fiber

Application: This fibre is a laser-optimised, bend-insensitive graded-index multimode OM4 fibre suitable for transmission speeds of 10 Gb/s or higher. It has a 50 µm core diameter and a 125 µm cladding diameter. The fibre is optimised for maximum transmission properties at 850 nm; but is also well suited for 1300 nm systems. This fibre is fully compliant to the OM4 specification. The fibre supports 1100 m link length for a 1000BASE-SX system and 550 m for 10GBASE-SX, as well as 550 m for a 1000BASE-LX system. In data centres this fibre supports coming 40G/100G systems. The outstanding bend-ing performance of this fibre supports future compact cable management.

Ethernet System Distances [m]

	Wavelength	Medium	Distance
Study: 100GBASE-SR4	850nm	OM4	100
40/100GBASE-CR4	Copper	Twinax	7
40/100GBASE-SR4/10	850nm	OM3	100
40/100GBASE-SR4/10	850nm	OM4	150
40/100GBASE-LR4/10	1310nm	SMF	10000
40/100GBASE-ER4/10	1310nm	SMF	40000
10GBASE-TX	Copper	CAT6a	100
10GBASE-SR	850nm	OM3	300
10GBASE-LX4	1300nm	OM1-2-3	300
10GBASE-SR	850nm	OM4	400
10GBASE-SR	850nm	OM4+	600
10GBASE-LR	1310nm	SMF	10000
10GBASE-ER	1550nm	SMF	40000
1000BASE-T	Copper	CAT5e	100
1000BASE-SX	850nm	OM2	550
1000BASE-LX	1300nm	OM2	550
1000BASE-LX	1310nm	SMF	5000
1000BASE-LX10	1310nm	SMF	10000
1000BASE-EX	1310nm	SMF	40000
1000BASE-ZX	1550nm	SMF	70000
100BASE-T	Copper	CAT5	100
100BASE-SX	850nm	OM2	550
100BASE-FX	1300nm	OM1-2	2000
100BASE-LX10	1300nm	SMF	10000

BendBright®-XS singlemode fiber, G.657.A2 and G.657.B2

This enhanced low macro bending sensitive, low water-peak fibre, gives unsurpassed bending performance. The preferred use of the BendBright®-XS fibre is in office installations, for patch cords, interconnection cables and for Fibre-to-the-Home networks. The BendBright®-XS offers reduced bending radii for many cables types. The fibre fulfils the new ITU G.657 A2 and G.657 B2 specification (edition 2009), as well as G.652.D. The low macro bending sensitivity further guarantees that the 1625 nm window (L-band) will be available for future use in this bandwidth hungry environment.

BendBright®-XS Standards

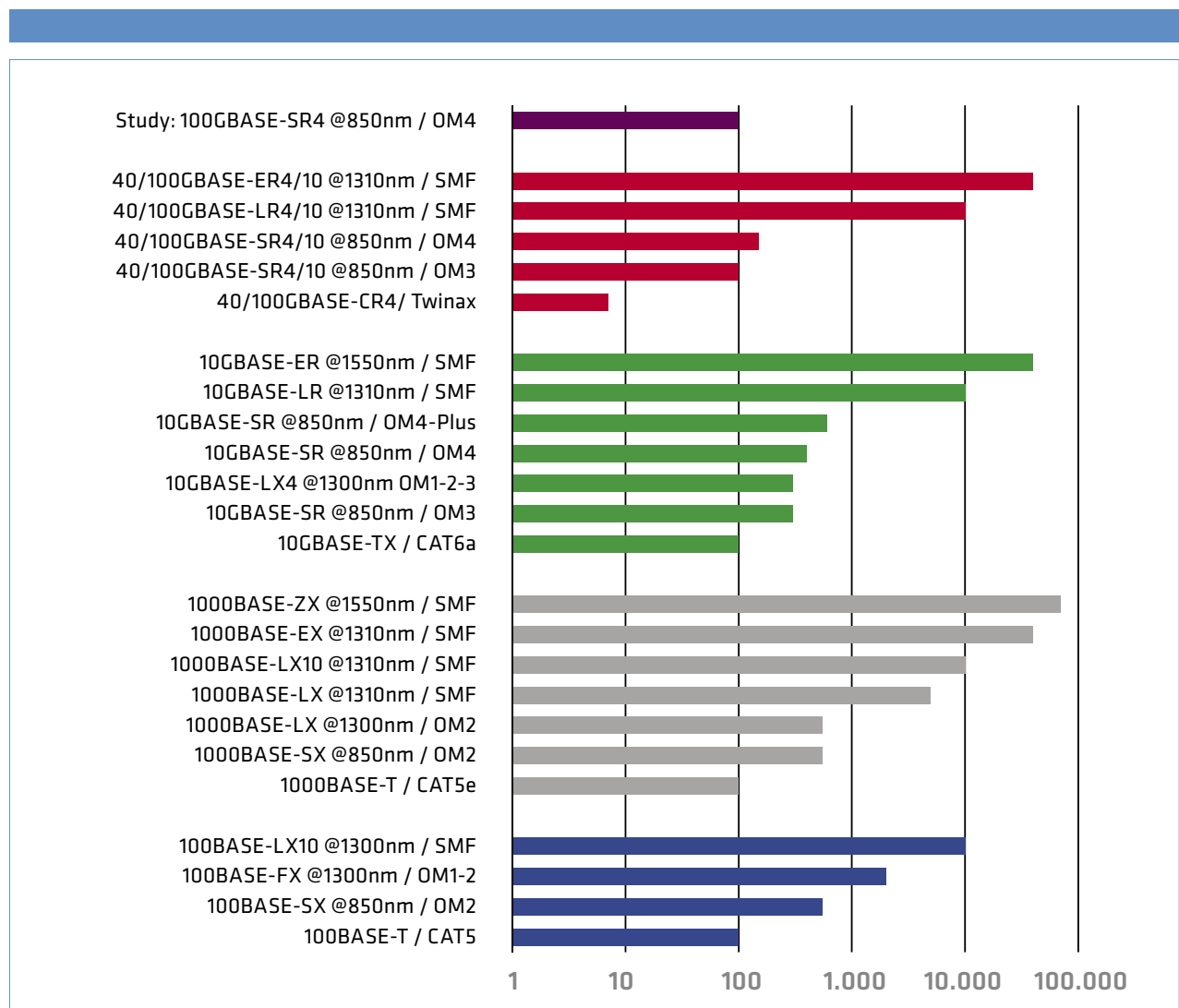
- ITU-T/Recommendation G.657.A2 and G657.B2
- ITU-T/Recommendation G.652.A,B,C and D
- EN 50173-1;2007, Cat.OS2
- ISO/IEC 11801
- ISO/IEC 24702
- IEEE 802.3-2002 incl. 802.3ae
- IEC/EN 60793

ESMF Standard singlemode fiber

Application: This enhanced singlemode fiber provides improved performance across the entire 1260 nm to 1625 nm wavelength spectrum due to its low attenuation in 1383 nm the water-peak region.

Singlemode Standards

- IEC/EN 60793
- ITU-T/Recommendation G.651.A,B,C and D
- IEEE 802.3-2002 incl. 802.3ae
- EN 50173-1;2007, Cat.OS1 and OS2
- ISO/IEC 11801
- ISO/IEC 24702



8.1	CABLES			8.6	PATCH PANELS		
	UCFIBRE® MB SERIES	113			UCCONNECT® UC9400 Light Weight Fibre Suite - 1U Drawer Type	131	
	UCFIBRE® MT SERIES	114			UCCONNECT® UC9400 Light Weight Fibre Suite - 1U Fixed Type	132	
	UCFIBRE® MTC SERIES	116			UCCONNECT® UC9400 Light Weight Fibre Suite - 1U Cable Management Trough	132	
	UCFIBRE® BICM SERIES	117			UCCONNECT® UC9400 Light Weight Fibre Suite - 1U Modular Panel, Empty	133	
	UCFIBRE® SICM SERIES	118			UCCONNECT® UC9400 Light Weight Fibre Suite - 2U Fixed Type	134	
	UCFIBRE® ZICM SERIES	119			UCCONNECT® UC9400 Light Weight Fibre Suite - 4U Modular Box, Empty	135	
	UCFIBRE® UTM SERIES	120			UCCONNECT® UC9500 High Density Fibre Suite - 1U Distribution Panel, Empty	136	
	UCFIBRE® LTZMSM SERIES	121					
	UCFIBRE® LTZSM SERIES	122					
	UCFIBRE® LTFGP SERIES	123					
	UCFIBRE® LTFMSMWM SERIES	124					
	UCFIBRE® LTFMSMNWM SERIES	125					
8.2	INDOOR TRUNK CABLES			8.7	PATCH PANEL ACCESSORIES		
	MPO Pre-Terminated Trunk Cable	126			UCCONNECT® UC9500 1-Slot Front Blank Panel	137	
	MPO-LC Pre-Terminated Trunk Cable	127			UCCONNECT® UC9500 1-Slot 6Port SC Duplex Front	137	
8.3	UCCONNECT® OPTICAL PATCHCORDS	128			UCCONNECT® UC9500 1-Slot 6Port ST Simplex Front	137	
8.4	UCCONNECT® OPTICAL PIGTAILS	129			UCCONNECT® UC9500 1-Slot 6Port FC Simplex Front Panel	138	
8.5	UCCONNECT® OPTICAL ADAPTORS	130			UCCONNECT® UC9500 1-Slot 6Port LC Duplex/ SC Simplex Front Panel	138	
					UCCONNECT® UC9500 MTP®/MPO Module	139	
					UCCONNECT® UC9400 MTP®/MPO Module	140	
					UCCONNECT® UC9500 Splice Tray Cover	141	
					UCCONNECT® UC9500 Fibre Splice Tray	141	
					UCCONNECT® UC9400 Fibre Splice Tray	142	

UC^{FIBRE}® MB Series

8.1 Cables

2-12 Fibres, Breakout Distribution Cable, LSZH Sheath

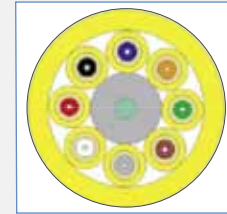
Features

- **Buffer Coating** : LSZH material, 0.9mm tight buffered fibre
- **Strength Member** : Aramid yarn within each sub-unit
- **Sub-unit sheath** : LSZH material
- **Central Strength Member** : FRP with up-coating when needed
- **Outer Sheath** : LSZH compliant to IEC 61034, IEC 60754-1&2, IEC 60332-1 & 60332-3-24
- **Tight Buffer Color** : ANSI TIA/EIA 568-C.3
- **Sheath Color** : ANSI TIA/EIA 568-C.3
- Easy to strip and excellent for use in indoor installations requiring efficient terminations, and also in flame retardant, low smoke and halogen free environments.
- **Ripcord only when requested**

Main characteristics

Test	Standard	Value	Sanction*
Maximum Tension at installation (short term)	IEC 60794-1-2-E1	660N	$\Delta I/I$ fibre $\leq 0.6\%$, $\Delta \alpha$ reversible
Tension opération max (long term)	IEC 60794-1-2-E1	198N	$\Delta I/I$ fibre $\leq 0.2\%$, $\Delta \alpha \leq 0.30$ dB(SM)/ 0.40 dB(MM)
Crush	IEC 60794-1-2-E3	1000N / 100mm	$\Delta \alpha \leq 0.30$ dB(SM)/ 0.40 dB(MM) , cable integrity

* values for single-mode fibres, all optical measurements performed at 1550 nm
 values for multi-mode fibres, all optical measurements performed at 1300 nm



Overview

MB Series provides easy stripping and terminations in indoor application due to its unique tight buffering of each fibre unit.

Additional Options

- PVC Sheath (MBV Series)
- PE Sheath (MBP Series)
- PE Sheath for outdoor applications
- Steel Wire Braiding for armouring protection

Technical data

No. of Fibres		2,4	6	8	12
Design		Breakout			
Buffer Diameter - Ø	mm	0.9 ± 0.05	0.9 ± 0.05	0.9 ± 0.05	0.9 ± 0.05
CSM/sheath diameter	mm	1.0 nominal	0.75 nominal	2.0/3.5 nominal	2.0/6.2 nominal
Sub-unit sheath thickness	mm	0.35 nominal	0.35 nominal	0.35 nominal	0.35 nominal
Sub-units diameter	mm	2.0 ± 0.15	2.0 ± 0.15	2.0 ± 0.15	2.0 ± 0.15
Outer sheath thickness	mm	1.0 nominal	1.0 nominal	1.0 nominal	1.0 nominal
Cable Diameter (AxB)	mm	7.0 ± 0.5	8.2 ± 0.5	9.5 ± 0.5	12.3 ± 0.5
Cable Weight	kg / km	48	64	89	149
Min. bending radius		Without Tension 10 × Cable-Ø		Under Maximum Tension 20 × Cable-Ø	
Temperature range	°C	Installation -10 -> +60;		Transport. & Storage -40 -> +70 ;	Operation -20 -> +70
Flame Retardant		IEC 60332-1, IEC60332-3-24			

*Please refer to our General Installation, Safety & Handling recommendations before handling.

Ordering Information

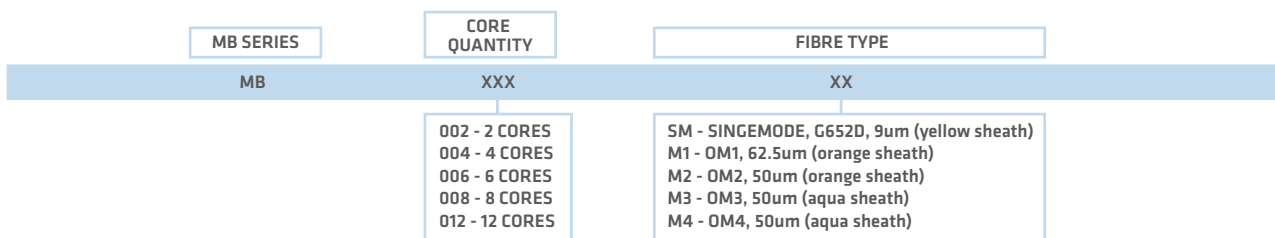
UC^{FIBRE}® MB SERIES FO Cable part numbers are made up using the table below.

The part number always starts with the letters MB to denote that it is a UC^{FIBRE}® MB SERIES FO Cable. This is followed by 3 numbers which symbolises the core quantity and then 2 letters to denote the fibre type.

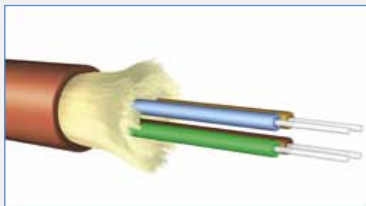
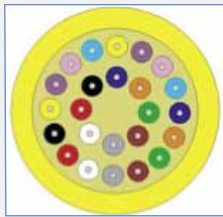
Example of a UC^{FIBRE}® MB SERIES FO Cable part number:

MB008M3

The above example describes an OM3 (50um, Aqua Sheath) UC^{FIBRE}® MB SERIES FO Cable, with 8 cores.



8.1 Cables



Overview

One of the most widely used UC^{FIBRE}® Indoor cable, MT series is excellent for indoor installation that provides a safe setup against flame propagation and its flexible yet robust construction makes installation at ease.

Additional Options

- PVC Sheath
- PE Sheath for outdoor applications
- Steel Wire Braiding for armouring protection.

UC^{FIBRE}® MT Series

2-24 Cores, Indoor Tight Buffer Distribution Cable, LSZH Sheath

Features

- **Tight buffer** : Each fibre is coated to 0.9mm with LSZH
- **Strength Member** : Aramid yarn
- **Outer Sheath** : LSZH compliant to IEC 61034, IEC 60754-1&2, IEC 60332-1 & 60332-3-24
- **Tight Buffer Color** : ANSI TIA/EIA 568-C.3
- **Sheath Color** : ANSI TIA/EIA 568-C.3
- **Suitable for indoor installation requiring flame retardant, low smoke and halogen free environment**
- **Ripcord only when requested**

Main characteristics

Test	Standard	Value	Sanction*
Maximum installation load (a few hours)	IEC 60794-1-2-E1	1000 N (2F-8F), 1200N (12F, 24F)	Fibre strain ≤ 0.6%, Δα reversible
Short term tensile strength. (some days)	IEC 60794-1-2-E1	600N	Fibre strain ≤ 0.4%, Δα reversible
Max operation tension	IEC 60794-1-2-E1	280N (2F-12F), 340N (24F)	Fibre strain ≤ 0.2%, Δα ≤ 0.4 dB(MM), ≤0.30(SM)
Crush (short term)	IEC 60794-1-2-E3	1000 N / 100mm	Δα ≤ 0.4 dB(MM), ≤0.30(SM), no damage
Temperature range	IEC 60794-1-2-F1	-20 -> +70°C	Δα ≤ 0.6 dB /km(MM), ≤ 0.40dB/km(SM)

* values for multi-mode fibres, all optical measurements performed at 1300 nm
values for single-mode fibres, all optical measurements performed at 1550 nm

Technical data

No. of Fibres		2,4,6	8	12	24
Design		1x2, 1x4, 1x6 TB	1x8 TB	1x12 TB	1x24 TB
Tight buffer	mm	0.9 ± 0.05	0.9 ± 0.05	0.9 ± 0.05	0.9 ± 0.05
Outer sheath thickness	mm	0.7 nominal	0.75 nominal	0.75 nominal	0.9 nominal
Cable Nominal Diameter	mm	4.8 nominal	5.4 nominal	6.2 nominal	8.8 nominal
Cable Weight	kg / km	20	26	33	60
Min. bending radius		Without Tension 10 × Cable-Ø		Under Maximum Tension 20 × Cable-Ø	
Temperature range	°C	Installation -10 -> +60;	Transport. & Storage -40 -> +70 ;		Operation -20 -> +70
Flame Retardant		IEC 60332-3-24			

Ordering Information

UC^{FIBRE}® MT SERIES FO Cable part numbers are made up using the table below.

The part number always starts with the letters MT to denote that it is a UC^{FIBRE}® MT SERIES FO Cable. This is followed by 3 numbers which symbolises the core quantity and then 2 letters to denote the fibre type.

Example of a UC^{FIBRE}® MT SERIES FO Cable part number:

MT008M1

The above example describes an OM1 (62.5um, Orange Sheath) UC^{FIBRE}® MT SERIES FO Cable, with 8 cores.

MT SERIES	CORE QUANTITY	FIBRE TYPE
MT	XXX	XX
	002 - 2 CORES 004 - 4 CORES 006 - 6 CORES 008 - 8 CORES 012 - 12 CORES	SM - SINGEMODE, G652D, 9um (yellow sheath) M1 - OM1, 62.5um (orange sheath) M2 - OM2, 50um (orange sheath) M3 - OM3, 50um (aqua sheath) M4 - OM4, 50um (aqua sheath)

UC^{FIBRE}® MT Series

36, 48, 96 Cores Indoor, Tight Buffer Distribution Cable, LSZH Sheath

8.1 Cables

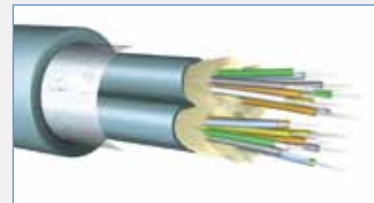
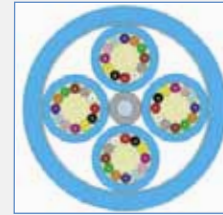
Features

- **Tight buffer:** : Each fibre is coated to 0.9mm with LSZH
- **Strength Member** : Aramid yarn within each sub-unit
- **Sub-unit sheath** : LSZH material
- **Central Strength Member** : FRP with up-coating
- **Core Wrapping** : Polyester tape
- **Outer Sheath** : LSZH compliant to IEC 61034, IEC 60754-1&2, IEC 60332-1 & 60332-3-24
- **Tight Buffer Color** : ANSI TIA/EIA 568-C.3
- **Sheath Color** : ANSI TIA/EIA 568-C.3
- **Suitable for Indoor Flame Retardant, Low Smoke and Halogen Free Environment**
- **Ripcord only when requested**

Main characteristics

Test	Standard	Value	Sanction*
Maximum installation load (a few hours)	IEC 60794-1-2-E1	4200 N (36F, 48F), 6600N (96F)	Fibre strain ≤ 0.6%, Δα reversible
Short term tensile strength. (some days)	IEC 60794-1-2-E1	2800 N (36F, 48F), 4400N (96F)	Fibre strain ≤ 0.4%, Δα reversible
Max operation tension	IEC 60794-1-2-E1	1400 N (36F, 48F), 2200N (96F)	Fibre strain ≤ 0.2%, Δα ≤ 0.4 dB(MM), ≤0.30(SM)
Crush (short term)	IEC 60794-1-2-E3	1000 N / 100mm	Δα ≤ 0.4 dB(MM), ≤0.30(SM), no damage
Temperature range	IEC 60794-1-2-F1	-20 -> +70°C	Δα ≤ 0.6 dB /km(MM), ≤ 0.30dB/km(SM)

* values for single-mode fibres, all optical measurements performed at 1550 nm
 values for multi-mode fibres, all optical measurements performed at 1300 nm



Overview

One of the most widely used UC^{FIBRE}® Indoor cable, MT series is excellent for indoor installation that provides a safe setup against flame propagation and its flexible yet robust construction makes installation at ease.

Additional Options

- PVC Sheath (MTV series)
- PE Sheath for outdoor applications
- Steel Wire Braiding for armouring protection

Technical data

No. of Fibres		36	48	96
Design		6x6 TB	4x12 TB	8x12 TB
Tight buffer Size	mm	0.9 ± 0.05	0.9 ± 0.05	0.9 ± 0.05
Cable Outer Diameter	mm	17.7± 1.5	17.9± 1.5	25.3± 1.5
Cable Weight	kg / km	276	244	538
Min. bending radius	mm	Without Tension 10 × Cable-Ø		Under Maximum Tension 20 × Cable-Ø
Temperature range	°C	Installation -10 -> +60;	Transport. & Storage -40 -> +70 ;	Operation -20 -> +70

*Please refer to our General Installation, Safety & Handling recommendations before handling.

Ordering Information

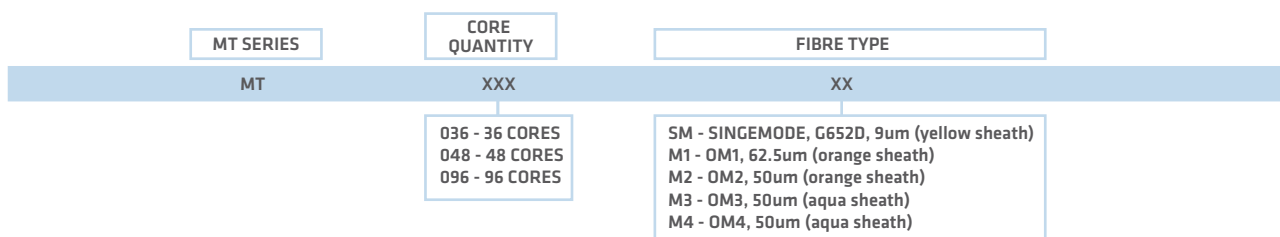
UC^{FIBRE}® MT SERIES FO Cable part numbers are made up using the table below.

The part number always starts with the letters MT to denote that it is a UC^{FIBRE}® MT SERIES FO Cable. This is followed by 3 numbers which symbolises the core quantity and then 2 letters to denote the fibre type.

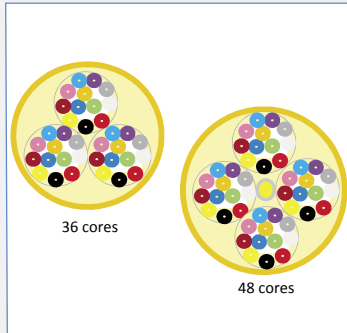
Example of a UC^{FIBRE}® MT SERIES FO Cable part number:

MT036M1

The above example describes an OM1 (62.5um, Orange Sheath) UC^{FIBRE}® MT SERIES FO Cable, with 36 cores.



8.1 Cables



Overview

Compact design version of MT Series with reduced overall diameter for easier installation and space limitation environment.

Additional Options

- PVC Sheath
- PE Sheath for outdoor applications
- Steel Wire Braiding for armouring protection

UC FIBRE® MTC Series

36 & 48 Cores, COMPACT Indoor Tight Buffer Distribution Cable, LSZH Sheath

Features

- **Tight buffer** : Each fibre is coated to 0.9mm with LSZH
- **Strength Member** : Aramid yarn
- **Core Wrapping** : Polyester tape
- **Outer Sheath** : LSZH compliant to IEC 61034, IEC 60754-162, IEC 60332-1 & 60332-3-24
- **Tight Buffer Color** : ANSI TIA/EIA 568-C.3
- **Sheath Color** : ANSI TIA/EIA 568-C.3
- **Suitable for Indoor Flame Retardant Environment.**
- **Up to 40% more compact & lighter than standard indoor types but with lesser tensile load.**
- **Ripcord only when requested**

Main characteristics

Test	Standard	Value	Sanction*
Maximum installation load (a few hours)	IEC 60794-1-2-E1	1300 N (36F, 48F)	Fibre strain ≤ 0.6%, Δα reversible
Short term tensile strength. (some days)	IEC 60794-1-2-E1	1300 N (36F, 48F)	Fibre strain ≤ 0.4%, Δα reversible
Max operation tension	IEC 60794-1-2-E1	400 N (36F, 48F)	Fibre strain ≤ 0.2%, Δα ≤ 0.4 dB(MM), ≤ 0.30(SM)
Crush (short term)	IEC 60794-1-2-E3	1000 N / 100mm	Δα ≤ 0.4 dB(MM), ≤ 0.30(SM), no damage
Temperature range	IEC 60794-1-2-F1	-20 -> +70°C	Δα ≤ 0.6 dB / km(MM), ≤ 0.30dB/km(SM)

* values for multi-mode fibres, all optical measurements performed at 1300 nm
values for single-mode fibres, all optical measurements performed at 1550 nm

Technical data

No. of Fibres		36	48
Design		6x6 TB	4x12 TB
Tight buffer	mm	0.9 ± 0.05	0.9 ± 0.05
Outer sheath thickness	mm	1.2 nominal	1.2 nominal
Cable Nominal Diameter	mm	11.0 ± 1.5	12 ± 1.5
Sub-units diameter	mm	100	140
Cable Weight		Without Tension	Under Maximum Tension
Min. bending radius		10 × Cable-Ø	20 × Cable-Ø
Temperature range	°C	Installation -10 -> +60;	Transport. & Storage -40 -> +70 ; Operation -20 -> +70
Flame Retardant		IEC 60332-3-24 (3C)	

Ordering Information

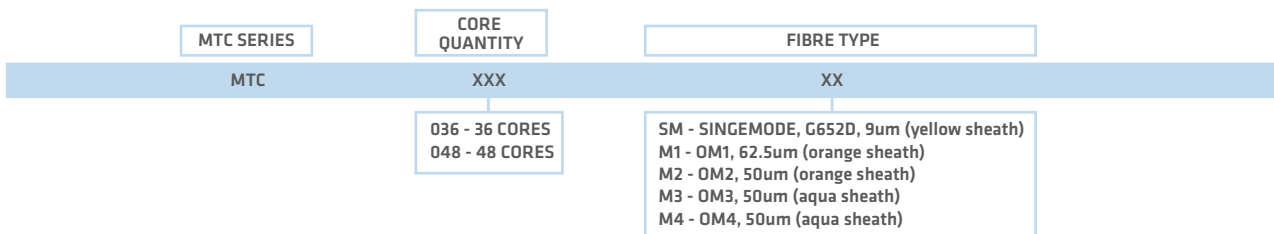
UC FIBRE® MTC SERIES FO Cable part numbers are made up using the table below.

The part number always starts with the letters MTC to denote that it is a UC FIBRE® MTC SERIES FO Cable. This is followed by 3 numbers which symbolises the core quantity and then 2 letters to denote the fibre type.

Example of a UC FIBRE® MTC SERIES FO Cable part number:

MTC048M4

The above example describes an OM4 (50um, Aqua Sheath) UC FIBRE® MTC SERIES FO Cable, with 48 cores.



UC^{FIBRE}® BICM Series

2, 4, 6, 8, 12 Fibres Interconnect cable, LSZH Jacket

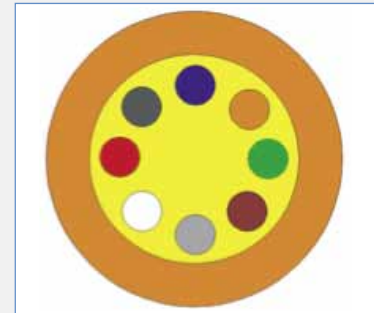
8.1 Cables

Features

- **Fibre** : 2-12 core 250um coloured fibers
- **Strength Member** : Aramid yarn
- **Outer Sheath** : LSZH compliant to IEC 61034, IEC 60754-1&2, IEC 60332-1 & 60332-3-24
- **Tight Buffer Color** : ANSI TIA/EIA 568-C.3
- **Sheath Color** : ANSI TIA/EIA 568-C.3
- **Ripcord only when requested**

Main characteristics

Test	Standard	Value	Sanction*
Maximum Tension at installation (short term)	IEC 60794-1-2-E1	220 N	fibre strain ≤ 0.6%, Δα reversible
Crush(short term)	IEC 60794-1-2-E3	500 N / 100mm	Δα ≤ 0.3 dB (SM), 0.4 dB (MM), no damage
Temperature range	IEC 60794-1-2-F1	0 -> +70	Δα ≤ 0.3 dB /km (SM), 0.6 dB /km (MM)



Overview

Up to 12 250um fibres protected by aramid yarns and LSZH sheath for indoor applications whereby easy stripping of fibre when terminating is required.

Additional Options

- Plenum or Riser

Technical data

No. of Fibres		2-12		
Design		1 x 12 coloured Fibres		
Outer sheath thickness	mm	0.7 nominal		
Cable Nominal Diameter	mm	3.3 ± 0.15		
Cable Weight	kg / km	10		
Max installation tension	N	220		
Max operation tension	N	73		
Min. bending radius	mm	Without Tension 10 × Cable-Ø	Under Maximum Tension 20 × Cable-Ø	
Temperature range	°C	Installation -10 -> +60;	Transport. & Storage -40 -> +70 ;	Operation 0 -> +70;
Flame Retardant		IEC 60332-1, IEC 60332-3-24		

Ordering Information

UC^{FIBRE}® BICM SERIES FO Cable part numbers are made up using the table below.

The part number always starts with the letters BICM to denote that it is a UC^{FIBRE}® BICM SERIES FO Cable with a LSZH sheath. This is followed by 3 numbers which symbolises the core quantity and then 2 letters to denote the fibre type.

Example of a BICM part number: -

BICM002SM

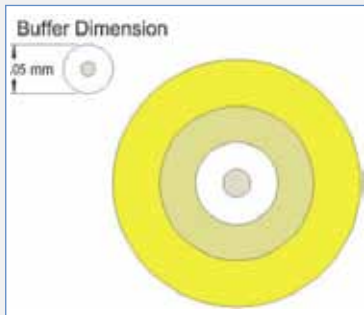
The above example describes a singlemode (G652D, 9um) UC^{FIBRE}® BICM SERIES FO Cable (LSZH jacketing), with 2 cores.

BARE FIBRE 250um	INTERCONNECT	SHEATH	CORE QUANTITY	FIBRE TYPE
B	IC	M	XXX	XX
		LSZH	002 - 2 cores 004 - 4 cores 006 - 6 cores 008 - 8 cores 012 - 12 cores	SM - SINGLEMODE, G652D, 9um (yellow sheath) M1 - OM1, 62.5um (orange sheath) M2 - OM2, 50um (orange sheath) M3 - OM3, 50um (aqua sheath) M4 - OM4, 50um (aqua sheath)

8.1 Cables

UC^{FIBRE}® SICM Series

Interconnect 2.0mm, Simplex LSZH+OFNR



Overview

UC^{FIBRE}® interconnect fibre optical provides the durability and flexibility to all indoor applications, its LSZH properties ensure a safe flame propagation restrictions and is widely used in any interconnect applications.

Additional Options

- Plenum or Riser
- Duplex

Features

- **Tight buffer:** LSZH, 0.85mm semi-tight buffered fiber
- **Peripheral Reinforcement:** Aramid yarn
- **Outer Sheath:** LSZH & OFNR
- **Ripcord only when requested**

Main characteristics

Test	Standard	Value	Sanction*
Maximum Tension at installation (short term)	IEC 60794-1-2-E1	140N	$\Delta I/I$ fibre \leq 0.6%, $\Delta \alpha$ reversible
Tension opération max	IEC 60794-1-2-E1	70N	$\Delta I/I$ fibre \leq 0.3%, $\Delta \alpha \leq$ 0.30 dB;
Crush	IEC 60794-1-2-E3	350N / 100mm	$\Delta \alpha \leq$ 0.30 dB(SM); cable integrity

* values for single-mode fibres, all optical measurements performed at 1550 nm

Technical data

No. of Fibres		1		
Design		Simplex		
Buffer Diameter - Ø	mm	0.85 ± 0.05		
Cable Diameter (A x B)	mm	2.0 ± 0.1		
Cable Weight Approx.	kg / km	4		
Min. bending radius		Without Tension 10 × Cable-Ø		Under Maximum Tension 20 × Cable-Ø
Temperature range	°C	Installation -10 -> +60;	Transport. & Storage -40 -> +70 ;	Operation -20 -> +70;
Flame Retardant		LSZH: UL c(UL) OFNR, IEC 60332-1, IEC60332-3-24		

Ordering Information

UC^{FIBRE}® Simplex Interconnect FO part numbers are made up using the table below.

The part number always starts with the letters SICM to denote that it is a Simplex Interconnect FO Cable with a LSZH sheath. This is followed by 2 numbers which symbolises the cable diameter and then 2 letters to denote the fibre type.

Example of a SICM part number: -

SICM02M3

The above example describes an OM3 (50um), Simplex Interconnect FO Cable (LSZH jacketing), with 2.0mm cable diameter.

SIMPLEX	INTERCONNECT	SHEATH	CABLE DIAMETER	FIBRE TYPE
S	IC	M	02	XX
		LSZH	2.0mm	SM - SINGEMODE, G652D, 9um (yellow sheath) M7 - G657A2, 9um (yellow sheath) M1 - OM1, 62.5um (orange sheath) M2 - OM2, 50um (orange sheath, Bendbright) M3 - OM3, 50um (aqua sheath, Bendbright) M4 - OM4, 50um (aqua sheath, Bendbright)

UC^{FIBRE}® ZICM Series

Zipcord Interconnect Cable, LSZH Sheath

8.1 Cables

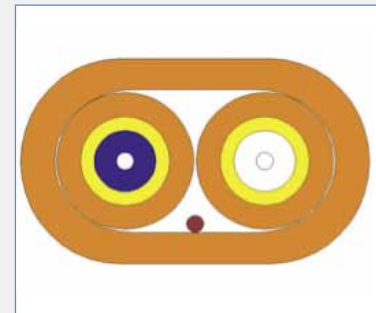
Features

- **Buffer Coating** : LSZH material, tight buffered fiber
- **Peripheral reinforcement** : Aramid yarn
- **Sub-unit Sheath** : LSZH OFNR
- **Outer Sheath** : LSZH, 1 ripcord beneath
- **Sheath Color** : ANSI TIA/EIA 568-C.3
- **Suitable for Duct Buried or Indoor/Outdoor Installation**
- **Ripcord only when requested**

Main characteristics

Test	Standard	Value	Sanction*
Maximum Tension at installation (short term)	IEC 60794-1-2-E1	220N	$\Delta I/I$ fibre $\leq 0.6\%$, $\Delta \alpha$ reversible
Tension opération max	IEC 60794-1-2-E1	66N	$\Delta I/I$ fibre $\leq 0.2\%$, $\Delta \alpha \leq 0.40$ dB (MM), ≤ 0.30 dB (SM)
Crush	IEC 60794-1-2-E3	350N / 100mm	$\Delta \alpha \leq 0.40$ dB (MM), ≤ 0.30 dB (SM) , cable integrity

*values for single-mode fibres, all optical measurements performed at 1550 nm
values for multi-mode fibres, all optical measurements performed at 1300 nm



Overview

UC^{FIBRE}® zipcord fibre optical provides the durability and flexibility to all indoor applications with ruggedized properties, its LSZH properties ensure a safe flame propagation restrictions and is widely used in any zipcord interconnect applications.

Additional Options

- Plenum or Riser
- Duplex

Technical data

No. of Fibres		2			
Design		/			
Buffer Diameter - Ø	mm	0.6 ± 0.05	0.6 ± 0.05	0.9 ± 0.05	0.9 ± 0.05
Sub-unit Sheath thickness	mm	0.25 nominal	0.3 nominal	0.35 nominal	0.5 nominal
Sub-unit Diameter	mm	1.6 nominal	1.8 nominal	2.0 nominal	2.9 nominal
Outer Sheath thickness	mm	0.5 nominal	0.5 nominal	0.5 nominal	0.5 nominal
Cable Diameter (H x W)	mm	2.6 x 4.3	2.8 x 4.7	3.0 x 5.1	3.9 x 6.9
Cable Weight	kg / km	12	14	17	28
Max installation tension	N	220	220	220	220
Min. bending radius		Without Tension 10 × Cable-Ø		Under Maximum Tension 20 × Cable-Ø	
Temperature range	°C	Installation -10 -> +60;	Transport. & Storage -40 -> +70 ;	Operation -20 -> +70	
Flame Retardant		LSZH, IEC 60332-1, IEC60332-3-24			

Ordering Information

UC^{FIBRE}® Zipcord Interconnect FO part numbers are made up using the table below.

The part number always starts with the letters ZICM to denote that it is a Zipcord Interconnect FO Cable with a LSZH sheath. This is followed by 1 number which symbolises the cable diameter, 2 numbers to represent the number of cores and then 2 letters to denote the fibre type.

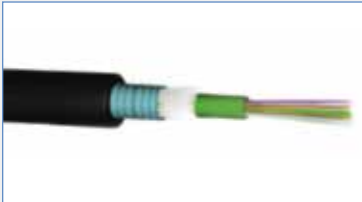
Example of a ZICM part number: -

SICM02M1

The above example describes an OM1 (62.5um), Zipcord Interconnect FO Cable (LSZH jacketing), with 2.0mm cable diameter.

ZIPCORD	INTERCONNECT	SHEATH	CABLE DIAMETER	CORES QUANTITY	FIBRE TYPE
Z	IC	M	X	02	XX
		LSZH	6 - 1.6mm 2 - 2.0mm		SM - SINGEMODE, G652D, 9um (yellow sheath) M7 - G657A2, 9um (yellow sheath) M1 - OM1, 62.5um (orange sheath) M2 - OM2, 50um (orange sheath, Bendbright) M3 - OM3, 50um (aqua sheath, Bendbright) M4 - OM4, 50um (aqua sheath, Bendbright)

8.1 Cables



Overview

UTM Series is excellent robust installations that enables flexible bending radius but still provide adequate mechanical protection in exposed installation environment, ie factories, outside buildings facilities.

Additional Options

- PE Sheath (UT Series)
- Steel Wire Braiding for armouring protection
- UV Resistance

UC^{FIBRE}® UTM Series

2-24 Cores, Light Armoured, Uni-tube Cable, LSZH Sheath

Features

- **Unitube:** thermoplastic material, containing up to 12 fibres and filled with a suitable water tightness compound.
- **Peripheral Strength Elements:** Aramid yarns.
- **Armour:** corrugated steel tape.
- **Outer Sheath:** LSZH in accordance to IEC 61034, IEC 60754-1 & 2.
- **Fibre Color :** ANSI TIA/EIA 568-C.2
- **Suitable for Duct Buried or Indoor/Outdoor Installation**
- **Ripcord only when requested**

Main characteristics

Test	Standard	Value	Sanction*
Maximum Tension at installation (short term)	IEC 60794-1-2-E1	220N	$\Delta I/I$ fibre \leq 0.6%, $\Delta\alpha$ reversible
Tension opération max	IEC 60794-1-2-E1	800N	$\Delta I/I$ fibre \leq 0.2%, $\Delta\alpha$ reversible
Crush	IEC 60794-1-2-E3	1500N / 800N / 100mm	$\Delta\alpha \leq$ 0.3 dB , cable integrity
Temperature range	IEC 60794-1-2-F1	-20 -> +70°C	$\Delta\alpha \leq$ 0.3 dB / km

*values for single-mode fibres, all optical measurements performed at 1550 nm
values for multi-mode fibres, all optical measurements performed at 1300 nm

Technical data

No. of Fibres		2, 4, 6, 8, 12	24
Design		1x12	1x24
Unitube - Ø	mm	3.0 nominal	3.0 nominal
Sheath Thickness	mm	1.5 nominal	1.5 nominal
Cable Diameter Approx.	mm	8.1± 0.5	8.1± 0.5
Cable Weight	kg / km	80	85
Max installation tension	N	1200	
Min. bending radius	mm	Without Tension 10 x Cable-Ø	Under Maximum Tension 20 x Cable-Ø
Temperature range	°C	Installation -10 -> +60;	Transport. & Storage -40 -> +70 ; Operation -20 -> +70;
Flame Retardant		IEC 60332-3-24	

Ordering Information

UC^{FIBRE}® UTM SERIES FO Cable part numbers are made up using the table below.

The part number always starts with the letters UTM to denote that it is a UC^{FIBRE}® UTM SERIES FO Cable. This is followed by 3 numbers which symbolises the core quantity and then 2 letters to denote the fibre type.

Example of a UC^{FIBRE}® UTM SERIES FO Cable part number:

UTM006M2

The above example describes an OM2 (50um, Orange Sheath) UC^{FIBRE}® UTM SERIES FO Cable, with 6 cores.

UTM SERIES	CORE QUANTITY	FIBRE TYPE
UTM	XXX	XX
	002 - 2 cores 004 - 4 cores 006 - 6 cores 008 - 8 cores 012 - 12 cores 024 - 24 cores	SM - SINGEMODE, G652D, 9um (yellow sheath) M1 - OM1, 62.5um (orange sheath) M2 - OM2, 50um (orange sheath) M3 - OM3, 50um (aqua sheath) M4 - OM4, 50um (aqua sheath)

UC^{FIBRE}® LTZMSM Series

12-96 Cores, Double Sheath Armoured Cable, LSZH

8.1 Cables

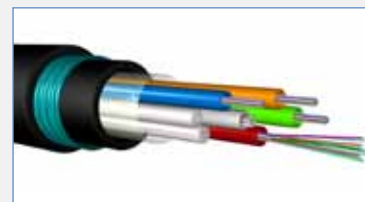
Features

- **Central strength member (CSM):** steel wire with plastic coating when needed.
- **Tube:** thermoplastic material, containing up to 12 optical fibres and filled with a suitable water tightness compound.
- **Stranding:** The required numbers of elements (tubes or fillers) are SZ stranded around the central strength member.
- **Longitudinal Water Tightness:** polyester tape (jelly filled).
- **Inner Sheath:** LSZH.
- **Armour:** corrugated steel tape.
- **Outer Sheath:** LSZH. Flame Retardant to IEC 60332-3C
- **Fibre Color :** ANSI TIA/EIA 568-C.3
- **Loose Tube Color :** ANSI TIA/EIA 568-C.3
- **Suitable for Duct Buried or Indoor/Outdoor Installation.**
- **Ripcord only when requested**

Main characteristics

Test	Standard	Value	Sanction*
Max. installation tension	IEC 60794-1-2-E1	3000 N	fibre strain ≤ 0.33%, Δα reversible
Crush(short term)	IEC 60794-1-2-E3	3000N / 100mm	Δα ≤ 0.3 dB(MM), 0.1 dB(SM)
Temperature Cycling	IEC 60794-1-2-F1	-40 -> +70°C	Δα ≤ 0.3 dB/km(MM), 0.1 dB/km(SM)
Water Penetration	IEC 60794-1-2-F5B	sample=3m, water=1m	No water leakage after 24 hour

*values for single-mode fibres, all optical measurements performed at 1550 nm
values for multi-mode fibres, all optical measurements performed at 1300 nm



Overview

LTZMSM Series offers better mechanical protection than LTZSM Series and is able to be deployed in exposed environment over short distances reducing the reliability of ducts and hence better cost efficiency.

Additional Options

- PE Sheath (LTZPSP Series)
- Steel Wire Armouring
- UV Resistance
- Anti Rodent & Termite additives

Technical data

No. of Fibres		12, 24	36,48	96
Design (Elements × Fibres per Tube)		6x6	6x12	8x12
Loose Tube / Filler - Ø	mm	1.8	2.0	2.0
CSM/sheath diameter	mm	2.0	2.2	2.0/3.5
Inner sheath thickness	mm	0.8 nominal	0.8 nominal	0.8 nominal
Outer sheath thickness	mm	1.8 nominal	1.8 nominal	1.8 nominal
Cable Diameter	mm	12.5 nominal	13.1 nominal	14.4 nominal
Cable Weight	kg / km	210	232	270
Max installation tension	N	3000		
Min. bending radius	mm	Without Tension 10 × Cable-Ø		Under Maximum Tension 20 × Cable-Ø
Temperature range	°C	Installation -10 -> +60;	Transport. & Storage -40 -> +70 ;	Operation -40 -> +70
Flame Retardant		IEC 60332-3-24		

Ordering Information

UC^{FIBRE}® LTZMSM SERIES FO Cable part numbers are made up using the table below.

The part number always starts with the letters LTZMSM to denote that it is a UC^{FIBRE}® LTZMSM SERIES FO Cable. This is followed by 3 numbers which symbolises the core quantity and then 2 letters to denote the fibre type.

Example of a UC^{FIBRE}® LTZMSM SERIES FO Cable part number:

LTZMSM008M2

The above example describes an OM2 (50um, Orange Sheath) UC^{FIBRE}® LTZMSM SERIES FO Cable, with 8 cores.

LTZMSM SERIES	CORE QUANTITY	FIBRE TYPE
LTZMSM	XXX	XX
	012 - 12 CORES 024 - 24 CORES 036 - 36 CORES 048 - 48 CORES 096 - 96 CORES	SM - SINGLEMODE, G652D, 9um (yellow sheath) M1 - OM1, 62.5um (orange sheath) M2 - OM2, 50um (orange sheath) M3 - OM3, 50um (aqua sheath) M4 - OM4, 50um (aqua sheath)

8.1 Cables



Overview

LTZSM Series is one of the most value for cost UCFibre® cable which is able to run outdoor into indoor premises with protection against harsh elements ie Water / UV / Mechanical stress, while ensuring safety fire standards are in place.

Additional Options

- PVC Sheath (LTZSV)
- PE Sheath (LTZSP)
- PE Sheath for outdoor applications
- Steel Wire Braiding for armouring protection

UCFIBRE® LTZSM Series

12-96 Cores, Light Armoured Cable, LSZH Sheath

Features

- **Central strength member (CSM):** steel wire with plastic coating when needed.
- **Tube:** thermoplastic material, containing up to 12 optical fibres and filled with a suitable water tightness compound.
- **Stranding:** The required numbers of elements (tubes or fillers) are SZ stranded around the central strength member.
- **Longitudinal Water Tightness:** WB jelly and water blocking yarn (partial jelly filled).
- **Armour:** corrugated steel tape.
- **Outer Sheath:** LSZH.
- **Fibre Color :** ANSI TIA/EIA 568-C.3
- **Loose Tube Color :** ANSI TIA/EIA 568-C.3
- **Suitable for Duct Buried or Indoor/Outdoor Installation.**
- **Ripcord only when requested**

Main characteristics

Test	Standard	Value	Sanction*
Max. installation tension	IEC 60794-1-2-E1	3000 N	fibre strain ≤ 0.33%, Δα reversible
Crush(short term)	IEC 60794-1-2-E3	3000N / 100mm	Δα ≤ 0.3 dB(MM), 0.1 dB(SM)
Temperature range	IEC 60794-1-2-F1	-40 -> +70°C	Δα ≤ 0.3 dB/km(MM), 0.1 dB/km(SM)
Water Penetration	IEC 60794-1-2-F5B	sample=3m, water=1m	No water leakage after 24 hour

*values for single-mode fibres, all optical measurements performed at 1550 nm
values for multi-mode fibres, all optical measurements performed at 1300 nm

Technical data

No. of Fibres		12,24	36,48	96
Design (Elements × Fibres per Tube)		6x6	6x12	8x12
Loose Tube / Filler - Ø	mm	1.8	2.0	2.0
CSM/sheath diameter	mm	2.0	2.2	2.0/3.5
Outer sheath thickness	mm	1.8 nominal	1.8 nominal	1.8 nominal
Cable Diameter	mm	10.7 nominal	11.3 nominal	12.6 nominal
Cable Weight	kg / km	158	177	208
Max installation tension	N		3000	
Min. bending radius	mm	Without Tension 10 × Cable-Ø		Under Maximum Tension 20 × Cable-Ø
Temperature range	°C	Installation -10 -> +60;	Transport. & Storage -40 -> +70 ;	Operation -40 -> +70
Flame Retardant		IEC 60332-3-24		

Ordering Information

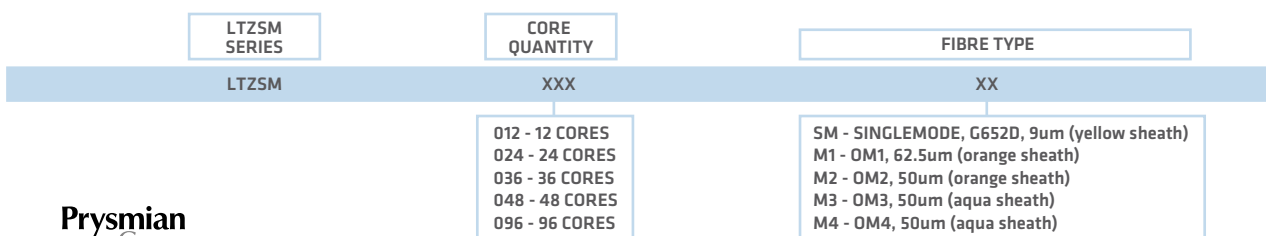
UCFIBRE® LTZSM SERIES FO Cable part numbers are made up using the table below.

The part number always starts with the letters LTZSM to denote that it is a UCFIBRE® LTZSM SERIES FO Cable. This is followed by 3 numbers which symbolises the core quantity and then 2 letters to denote the fibre type.

Example of a UCFIBRE® LTZSM SERIES FO Cable part number:

LTZSM008M2

The above example describes an OM2 (50um, Orange Sheath) UCFIBRE® LTZSM SERIES FO Cable, with 8 cores.



UC^{FIBRE}® LTFGP Series

12-96 Cores, Non Metallic Armoured Rodent Resistant Cable, PE Sheath

8.1 Cables

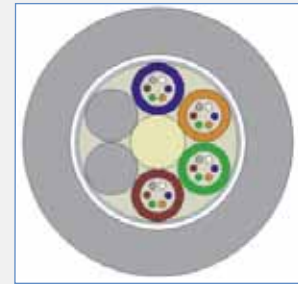
Features

- **Central strength member (CSM):** glass fibre reinforced plastic material (FRP) with plastic coating when needed.
- **Tube:** thermoplastic material, containing up to 12 optical fibres and filled with a suitable water tightness compound.
- **Stranding:** The required numbers of elements (tubes or fillers) are SZ stranded around the central strength member.
- **Longitudinal Water Tightness:** polyester tape (jelly filled).
- **Peripheral reinforcement:** glass yarns.
- **PE Outer Sheath:** HDPE with rodent repellent additive.
- **Fibre Color :** ANSI TIA/EIA 568-C.3
- **Loose Tube Color :** ANSI TIA/EIA 568-C.3
- **Ripcord only when requested**

Main characteristics

Test	Standard	Value	Sanction*
Max. installation tension	IEC 60794-1-2-E1	1500 N	fibre strain \leq 0.33%, $\Delta\alpha$ reversible
Crush(short term)	IEC 60794-1-2-E3	1000N / 100mm	$\Delta\alpha \leq$ 0.3 dB(MM), 0.1 dB(SM)
Temperature range	IEC 60794-1-2-F1	-3 0 -> +70°C	$\Delta\alpha \leq$ 0.3 dB/km(MM), 0.1 dB/km(SM)
Water Penetration	IEC 60794-1-2-F5B	sample=3m, water=1m	No water leakage after 24 hour

*values for single-mode fibres, all optical measurements performed at 1550 nm
values for multi-mode fibres, all optical measurements performed at 1300 nm



Overview

Most suitable for outdoor installations whereby non-metallic properties are not allowed but requires rodent protection.

Additional Options

- LSZH Sheath (LTFGM Series)
- Anti Termite additives
- Nylon Sheath (LTFGPN Series)

Technical data

No. of Fibres		12,24	36,48	96
Design (Elements × Fibres per Tube)		6x6	6x12	8x12
Loose Tube / Filler - Ø	mm	1.8	2.1	2.1
CSM/sheath diameter	mm	2.0	2.3	2.2/3.7
Outer sheath thickness	mm	1.5 nominal	1.5 nominal	1.5 nominal
Cable Diameter	mm	9.9 nominal	10.6 nominal	11.9 nominal
Cable Weight	kg / km	87	99	119
Max installation tension	N	1500		
Min. bending radius	mm	Without Tension 10 × Cable-Ø		Under Maximum Tension 20 × Cable-Ø
Temperature range	°C	Installation -10 -> +60;	Transport. & Storage -40 -> +70 ;	Operation -30 -> +70

Ordering Information

UC^{FIBRE}® LTFGP SERIES FO Cable part numbers are made up using the table below.

The part number always starts with the letters LTFGP to denote that it is a UC^{FIBRE}® LTFGP SERIES FO Cable. This is followed by 3 numbers which symbolises the core quantity and then 2 letters to denote the fibre type.

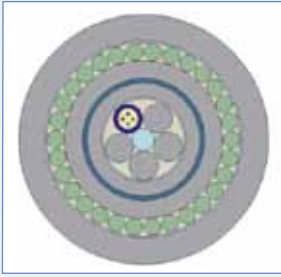
Example of a UC^{FIBRE}® LTFGP SERIES FO Cable part number:

LTFGP008M4

The above example describes an OM4 (50um, Aqua Sheath) UC^{FIBRE}® LTFGP SERIES FO Cable, with 8 cores.

LTFGP SERIES	CORE QUANTITY	FIBRE TYPE
LTFGP	XXX	XX
	012 - 12 CORES 024 - 24 CORES 036 - 36 CORES 048 - 48 CORES 096 - 96 CORES	SM - SINGLEMODE, G652D, 9um (yellow sheath) M1 - OM1, 62.5um (orange sheath) M2 - OM2, 50um (orange sheath) M3 - OM3, 50um (aqua sheath) M4 - OM4, 50um (aqua sheath)

8.1 Cables



Overview

This cable is especially designed for harsh environments. The double armour combination of corrugated steel tape and galvanized steel provide superior crush protection to the fibers. Water tightness compound within loose tube reinforced by polyester tape and jelly protects the fibers against chemical, corrosion and moisture.

Fire Rating

- IEC 60332-1, IEC 60332-24, IEC 61034-2, IEC 60754-1/2

UC FIBRE® LTFMSMWM Series

2 ~ 96 Fibres, SWA, Heavy Armoured Cable, LSZH Sheath Features

- **Central strength member (CSM):** glass fibre reinforced plastic material (FRP) with PE coating when needed
- **Tube:** thermoplastic material, containing up to 12 optical fibres and filled with a suitable water tightness compound
- **Stranding:** The required numbers of elements (tubes or fillers) are SZ stranded around the central strength member
- **Core Wrapping:** polyester tape (jelly filled)
- **Inner Sheath:** LSZH
- **Inner Armour:** Corrugated steel tape
- **Middle Sheath:** LSZH
- **Outer Armour:** Galvanized steel wire. WB jelly filled, wrapped with cotton tape
- **Outer Sheath:** LSZH
- **Suitable for Direct Buried, Rodent/Termite/Water/Chemical environment. Flame retardant to IEC 60332-3C. LSZH to IEC 61034 & IEC 60754-162.**
- **Fibre Color :** ANSI TIA/EIA 568-C.3
- **Loose Tube Color :** ANSI TIA/EIA 568-C.3
- **Ripcord only when requested**

Main characteristics

Test	Standard	Value	Sanction*
Max. installation tension	IEC 60794-1-2-E1	6000 N	No visible fibre strain, $\Delta\alpha \leq 0.05$ dB
Crush	IEC 60794-1-2-E3	400N / 100mm	$\Delta\alpha \leq 0.3$ dB(MM). 0.05 dB(SM)
Impact	IEC 60794-1-2-E4	30 Nm, 3 impacts, r=300mm	$\Delta\alpha \leq 0.3$ dB(MM). 0.05 dB(SM)
Temperature Cycling	IEC 60794-1-2-F1	-30 -> +70°C	$\Delta\alpha \leq 0.3$ dB/km(MM), 0.05 dB/km(SM)
Water Penetration	IEC 60794-1-2-F5B	sample=3m, water=1m	No water leakage after 24 hour

*values for single-mode fibres, all optical measurements performed at 1550 nm
values for multi-mode fibres, all optical measurements performed at 1300 nm

Technical data

No. of Fibres		2,4,8	6,12	24,36,48	72	96
Design (Elements × Fibres per Tube)		5x4	5x6	5x12	6x12	8x12
Loose Tube / Filler - Ø	mm	2.0 nominal		2.0 nominal	2.0 nominal	2.0 nominal
CSM/sheath diameter	mm	1.5 nominal		2.2 nominal	2.2 nominal	2.2/3.5
Inner sheath thickness	mm	0.8 nominal		0.8 nominal	0.8 nominal	0.8 nominal
Middle sheath thickness	mm	1.0 nominal		1.0 nominal	1.0 nominal	1.0 nominal
Galvanized steel wire	mm	1.0 nominal		1.0 nominal	1.0 nominal	1.25 nominal
Outer sheath thickness	mm	1.9 nominal		1.9 nominal	1.9 nominal	1.9 nominal
Cable Diameter	mm	17.1 nominal		17.8 nominal	17.8 nominal	19.6 nominal
Cable Weight	kg / km	480		518	518	648
Max installation tension	N	6000				
Min. bending radius	mm	Without Tension 15 × Cable-Ø		Under Maximum Tension 25 × Cable-Ø		
Temperature range	°C	Installation -5 -> +50;	Transport. & Storage -40 -> +70 ;		Operation -30 -> +70	

Ordering Information

UC FIBRE® LTFMSMWM SERIES FO Cable part numbers are made up using the table below.

The part number always starts with the letters LTFMSMWM to denote that it is a UC FIBRE® LTFMSMWM SERIES FO Cable. This is followed by 3 numbers which symbolises the core quantity and then 2 letters to denote the fibre type.

Example of a UC FIBRE® LTFMSMWM SERIES FO Cable part number:

LTFMSMWM08M1

The above example describes an OM1 (62.5um, Orange Sheath) UC FIBRE® LTFMSMWM SERIES FO Cable, with 8 cores.

LTFMSMWM SERIES	CORE QUANTITY	FIBRE TYPE
LTFMSMWM	XXX	XX
	002 - 2 CORES 004 - 4 CORES 006 - 6 CORES 008 - 8 CORES 012 - 12 CORES	SM - SINGLEMODE, G652D, 9um (yellow sheath) M1 - OM1, 62.5um (orange sheath) M2 - OM2, 50um (orange sheath) M3 - OM3, 50um (aqua sheath) M4 - OM4, 50um (aqua sheath)
	024 - 24 CORES 036 - 36 CORES 048 - 48 CORES 072 - 72 CORES 096 - 96 CORES	

UC^{FIBRE}® LTFMSMNWM Series

2-96 Cores, SWA, Nylon + LSZH Sheath, Chemical/Corrosive Resistant

8.1 Cables

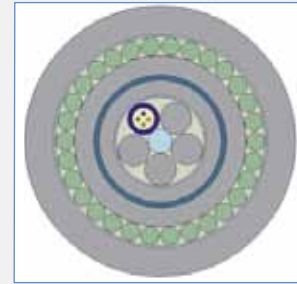
Features

- **Central strength member (CSM):** glass fibre reinforced plastic material (FRP) with PE coating when needed.
- **Tube:** thermoplastic material, containing up to 12 optical fibres and filled with a suitable water tightness compound
- **Stranding:** The required numbers of elements (tubes or fillers) are SZ stranded around the central strength member
- **Core Wrapping:** polyester tape (jelly filled)
- **Inner Sheath:** MDPE (P) or LSZH (M)
- **Inner Armour:** Corrugated steel tape
- **Middle Sheath:** HDPE (P) or LSZH (M)
- **Nylon sheath:** Black Nylon Polyamide 12 (PA 12)
- **Outer Armour:** Galvanized steel wire. WB jelly filled
- **Outer Sheath:** LSZH flame retardant to IEC 60332-3C
- **Suitable for Direct Buried, Rodent /Termites/Corrosive environment. Flame retardant to LSZH to IEC 60332-3C, 61034 & 60754-1&2**
- **Fibre Color :** ANSI TIA/EIA 568-C.3
- **Loose Tube Color :** ANSI TIA/EIA 568-C.3
- **Ripcord only when requested**

Main characteristics

Test	Standard	Value	Sanction*
Max. installation tension	IEC 60794-1-2-E1	6000 N	No visible fibre strain, $\Delta\alpha \leq 0.05$ dB
Crush	IEC 60794-1-2-E3	4000N / 100mm	$\Delta\alpha \leq 0.3$ dB(MM), 0.05 dB(SM)
Impact	IEC 60794-1-2-E4	30 Nm, 3 impacts, r=300mm	$\Delta\alpha \leq 0.3$ dB(MM), 0.05 dB(SM)
Temperature Cycling	IEC 60794-1-2-F1	-30 -> +70°C	$\Delta\alpha \leq 0.3$ dB/km(MM), 0.05 dB/km(SM)
Water Penetration	IEC 60794-1-2-F5B	sample=3m, water=1m	No water leakage after 24 hour

*values for single-mode fibres, all optical measurements performed at 1550 nm
values for multi-mode fibres, all optical measurements performed at 1300 nm



Overview

This cable is especially designed for harsh environments. The double armour combination of corrugated steel tape and galvanized steel provide superior crush protection to the fibers. Water tightness compound within loose tube reinforced by polyester tape and jelly protects the fibers against chemical, corrosion and moisture.

Fire Rating

- IEC 60332-1, IEC 60332-24, IEC 61034-2, IEC 60754-1/2

Technical data

No. of Fibres		2, 4, 8	6, 12	24, 36, 48	72	96
Design (element x fibre per tube)		5x4	5x6	5x12	6x12	8x12
Loose Tube / Filler - Ø	mm		2.0 nominal		2.0 nominal	2.0 nominal
CSM/sheath diameter	mm		1.5 nominal		2.2 nominal	2.0/3.5
Inner sheath thickness	mm		0.8 nominal		0.8 nominal	0.8 nominal
Middle sheath thickness	mm		1.0 nominal		1.0 nominal	1.0 nominal
Nylon sheath thickness	mm		0.4 nominal		0.4 nominal	0.8 nominal
Galvanized steel wire	mm		1.0 nominal		1.0 nominal	1.25 nominal
Outer sheath thickness	mm		1.9 nominal		1.9 nominal	1.9 nominal
Cable Diameter	mm		17.9 nominal		18.6 nominal	20.4 nominal
Cable Weight	kg / km		523		559	709
Max installation tension	N	6000				
Min. bending radius	mm	Without Tension 15 x Cable-Ø			Under Maximum Tension 25 x Cable-Ø	
Temperature radius	°C	Installation -5 -> +50;		Transport. & Storage -40 -> +70 ;		Operation -30 -> +70

Ordering Information

UC^{FIBRE}® LTFMSMNWM SERIES FO Cable part numbers are made up using the table below.

The part number always starts with the letters LTFMSMNWM to denote that it is a UC^{FIBRE}® LTFMSMNWM SERIES FO Cable. This is followed by 3 numbers which symbolises the core quantity and then 2 letters to denote the fibre type.

Example of a UC^{FIBRE}® LTFMSMNWM SERIES FO Cable part number:

LTFMSMNWM08M1

The above example describes an OM1 (62.5um, Orange Sheath) UC^{FIBRE}® LTFMSMNWM SERIES FO Cable, with 8 cores.

LTFMSMNWM SERIES	CORE QUANTITY	FIBRE TYPE
LTFMSMNWM	XXX	XX
	002 - 2 CORES 004 - 4 CORES 006 - 6 CORES 008 - 8 CORES 012 - 12 CORES	SM - SINGLEMODE, G652D, 9um (yellow sheath) M1 - OM1, 62.5um (orange sheath) M2 - OM2, 50um (orange sheath) M3 - OM3, 50um (aqua sheath) M4 - OM4, 50um (aqua sheath)
	024 - 24 CORES 036 - 36 CORES 048 - 48 CORES 072 - 72 CORES 096 - 96 CORES	

8.2 Indoor Trunk Cables

MPO Pre-Terminated Trunk Cable

Indoor, LSZH, Low Loss, MTP® or MPO



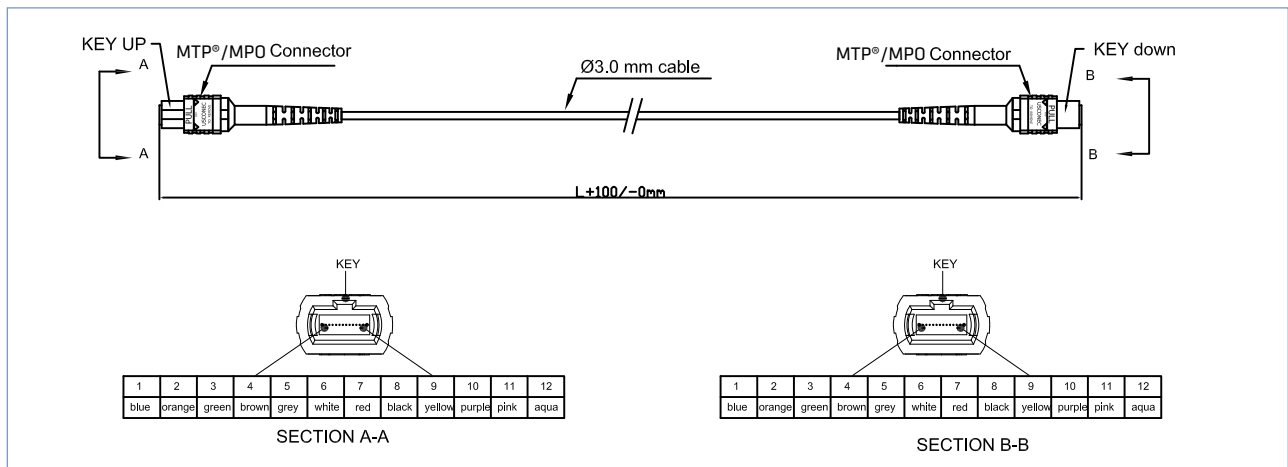
- MTP® is a registered MPO connector, Trademark of USCONEC
- Low loss fibres or Draka BendBright^{XS} fibres are used for better insertion loss requirements when needed.
- Factory Terminated and Component Tested

Overview

1. TOLERANCES OF LENGTH (mm)
 - L ≤ 50000 ±50
 - L > 50000 ±0.01L
2. Standard lengths for patch cords are 1, 2, 3, 5, 10 meters and customized.
3. The diameters(ØD) of the cable are 8.5mm.
4. Material of cable sheath as normal is PVC, can be as required change to LSZH or other types material.
5. Fibre Type : as per required.
6. Key-up to key-down

Technical specification

Item	Technical Parameters			
Connector Type	MTP® - MTP® or MPO - MPO			
Operation Temperature	-40°C ~ +80°C			
Insertion Loss (MM)	≤0.35dB+loss of cable length			
Return Loss (MM)	≥20dB			≥50 dB (SM)
Note: The insertion loss based on above value need to plus fiber attenuation.				
Fibre type	Fibre Attenuation(dB/km)			
	1310nm	1383nm	1550nm	1625nm
G652D	0.6	0.6	0.5	0.6
G655	---	---	0.5	0.6
G657A	0.5	---	0.4	0.5
G657B	0.6	0.6	0.6	0.6
	850nm	1300nm		
62.5/50	3.5	1.5		
OM3/OM4	2.5	0.8		



Ordering Information

MPO Pre-Terminated Trunk cable part numbers are made up using the table below

Fibre Count	Construction	Connector 1	Connector 1 Key	Connector 2	Connector 2 Key	Connector 2 Qty	Fibre Type	Dash	Length in metre
12 = T	Trunk = T	MTP® Female = 1	UP = U or DOWN = D	MTP® Female = 1	UP = U or DOWN = D	NA = X	SM G652D = 91	-	YYY
8 = E		MTP® Male = 2	UP = U or DOWN = D	MTP® Male = 2	UP = U or DOWN = D	NA = X	SM G655 = 92		
		MPO Female = 3	UP = U or DOWN = D	MPO Female = 3	UP = U or DOWN = D	NA = X	SM G657A = 93		
		MPO Male = 4	UP = U or DOWN = D	MPO Male = 4	UP = U or DOWN = D	NA = X	SM G657B = 94		
				LC Duplex = 7	NA = X	04 or 06	MM OM1 = 51		
							MM OM2 = 52		
							MM OM3 = 53		
							MM OM4 = 54		

Example of a MPO Trunk cable part number :-

TT3U3DX54-30 12 Fibre Trunk MPO Female (Key Up) - MPO Female (Key Down) OM4 30m

MPO-LC Pre-Terminated Trunk Cable

Indoor, LSZH, Low Loss, MTP® or MPO

8.2 Indoor Trunk Cables

Overview

- TOLERANCES OF LENGTH (mm)
 - $L \leq 50000 \pm 50$
 - $L > 50000 \pm 0.01L$
- Standard lengths for patch cords are 1, 2, 3, 5, 10 meters and customized.
- The diameters(Φ D) of the cable are 8.5mm.
- Material of cable sheath as normal is PVC, can be as required change to LSZH or other types material.
- Fibre Type : as per required.

Technical specification

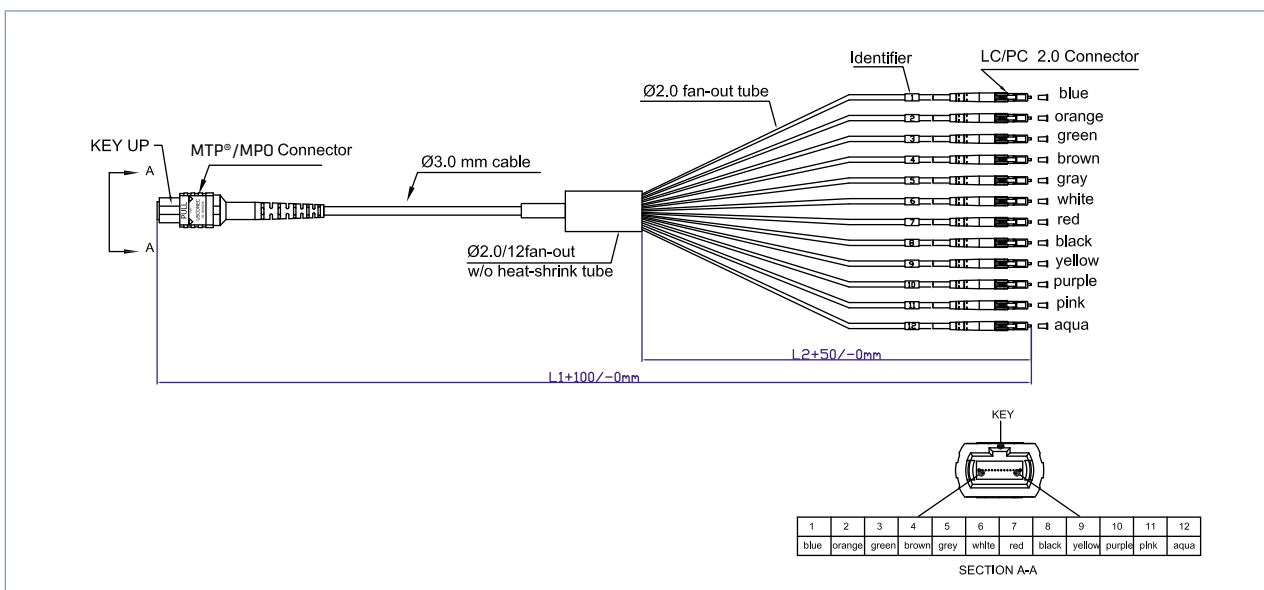
Item	Technical Parameters			
Connector Type	MTP®-6LC-Duplex or MPO-6LC-Duplex			
Operation Temperature	-40°C ~ +80°C			
Insertion Loss (MM)	$\leq 0.35\text{dB} + \text{loss of cable length}$			
Return Loss (MM)	$\geq 20\text{dB}$	$\geq 50 \text{ dB (SM)}$		

Note: The insertion loss based on above value need to plus fiber attenuation.

Fiber type	Fiber Attenuation(dB/km)			
	1310nm	1383nm	1550nm	1625nm
G652D	0.6	0.6	0.5	0.6
G655	---	---	0.5	0.6
G657A	0.5	---	0.4	0.5
G657B	0.6	0.6	0.6	0.6
	850nm	1300nm		
62.5/50	3.5	1.5		
OM3/OM4	2.5	0.8		



- MTP® is a registered MPO connector, Trademark of USCONEC
- Low loss fibres or Draka BendBright^{XS} fibres are used for better insertion loss requirements when needed.
- Factory Terminated and Component Tested



Ordering Information

MPO-LC Pre-Terminated Trunk cable part numbers are made up using the table below

Fibre Count	Construction	Connector 1	Connector 1 Key	Connector 2	Connector 2 Key	Connector 2 Qty	Fibre Type	Dash	Length in metre
12 = T	Trunk = T	MTP® Female = 1	UP = U or DOWN = D	MTP® Female = 1	UP = U or DOWN = D	NA = X	SM G652D = 91	-	YYY
8 = E		MTP® Male = 2	UP = U or DOWN = D	MTP® Male = 2	UP = U or DOWN = D	NA = X	SM G655 = 92		
		MPO Female = 3	UP = U or DOWN = D	MPO Female = 3	UP = U or DOWN = D	NA = X	SM G657A = 93		
		MPO Male = 4	UP = U or DOWN = D	MPO Male = 4	UP = U or DOWN = D	NA = X	SM G657B = 94		
				LC Duplex = 7	NA = X	04 or 06	MM OM1 = 51		
							MM OM2 = 52		
							MM OM3 = 53		
							MM OM4 = 54		

Example of a MPO-LC Trunk cable part number :-

TT3U7X0654-5 12 Fibre Trunk MPO Female (Key Up) – 6 x LC Duplex OM4 5m

8.3 Optical Patchcords

UC^{CONNECT}® OPTICAL PATCHCORDS



Standards

ANSI TIA/EIA 568-C.3;
ISO/IEC 11801 2nd Ed.;
IEEE 802.3

Overview

High performance optical patchcords ensuring network performs to the highest level. Draka offers an extensive range of optical patchcords for use in FTTx, telecommunications, data communications and CATV applications. All patchcords are fully qualified to Telcordia GR326 and IEC 61300 and all materials used are RoHS compliant. Can be supplied in a variety of lengths and with a variety of different connector types. Different fibre types and cable diameters are also available on request. Hybrid patchcords with different connector types on each end are also available.

Features

- Full traceability and test certification supplied with each assembly.
- Ultra polish (UPC) supplied as standard and Angle polish (APC) also available.
- Qualified to Telcordia GR326 and IEC 61300 standards and RoHS compliant materials.properties.
- Can be supplied with many different connector types such as FC, SC, ST, E2000, LC, DIN and others on request.
- Available in singlemode and multimode (50/125 and 62.5/125).
- Many fibre types available including singlemode, multimode, low loss & bend insensitive fibres.
- Lengths available from 1 metre to 99 metres.
- Cable diameters available in 1.6mm, 2mm and 3mm.
- Standard thickness, LC-LC(2m), LC-others (3m).
- All connectors are supplied with ceramic ferrules.

Application

- FTTx
- Telecommunications
- Data communication
- CATV
- Test and measurement

Technical data

Item No.	Singlemode (1310/1550nm)	Multimode (850nm)
Bend Radius (mm)	≤ 36	≤ 36
Maximum Insertion Loss (dB)	≤ 0.3 Typical 0.2 (UPC and APC)	≤ 0.4 (UPC)
Return Loss (dB)	≥ 50 (UPC), ≥ 65 (APC)	≥ 20
Intermateability	IEC 874-14	IEC 874-14
Operating temperature	-40°C to + 85°C	-40°C to + 85°C
Tensile Load (N)	≥ 200	≥ 200

Ordering Information

Patchcord part numbers are made up using the table below.

The part number always starts with the letters PC to denote that it is a patchcord. This is followed by a letter which signifies the type of termination and then another letter to denote the sheath of the patchcord. The first 2 numbers represents the micron, and the second set of numbers represents the connector The dash is next, followed by a number to denote the length of the patchcord.

Note: Patchcords must be ordered in 1 metre increments.

Example of a patchcord part number: -

PCDL06209-1

The above example describes a patchcord 1 metre in length, with LC/FC connectors on both ends. It is an OM1 (62.5um) duplex patchcord with a LSZH sheath.

PATCHCORD	TERMINATION (DUPLEX)	SHEATH	MICRON	CONNECTOR	LENGTH
PC	D	L	XX	XX	- XX
		LSZH	009 - 9um OS1 / OS 2 062 - 62.5um OM1 050 - 50um OM2 033 - 50um OM3 043 - 50um OM4	01-SC-SC 02-SC-FC 03-SC-ST 04-FC-FC 05-FC-ST 06-ST-ST 07-LC-LC 08-LC-SC 09-LC-FC 10-LC-ST	EXAMPLES: 1 = 1m 2 = 2m 15 = 15m 99 = 99m Note: Patchcords should be ordered in 1m (in one metres)

UCCONNECT[®] OPTICAL PIGTAILS

8.4 Optical Pigtails

Overview

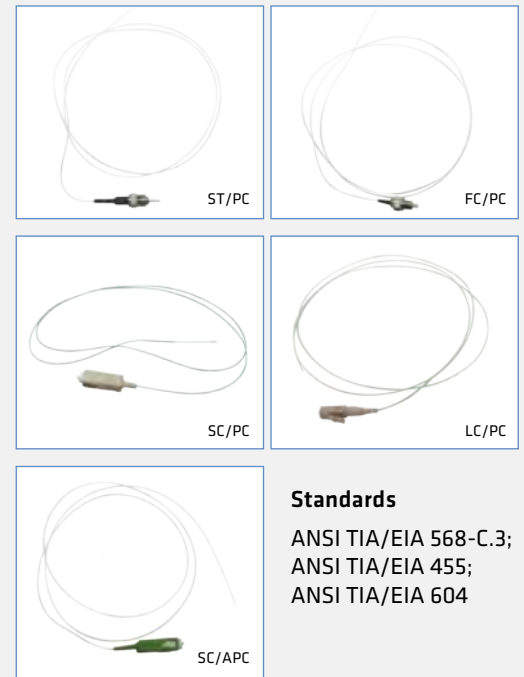
High performance optical pigtails ensuring network performs to the highest level. Draka offers an extensive range of optical pigtails for use in FTTx, telecommunications, data communications and CATV applications. All pigtails are fully qualified to Telcordia GR326 and IEC 61300 and all materials used are RoHS compliant. can be supplied in a variety of lengths and with a variety of different connector types.

Features

- Full traceability and test certification supplied with each assembly.
- Ultra polish (UPC) supplied as standard and Angle polish (APC) also available.
- Qualified to Telcordia GR326 and IEC 61300 standards and RoHS compliant materials properties.
- Can be supplied with many different connector types such as FC, SC, ST, E2000, LC, DIN and others on request.
- Available in singlemode and multimode (50/125 and 62.5/125).
- Many fibre types available including singlemode, multimode, low loss & bend insensitive fibres.
- Standard length supplied is 1m or 2m.
- Standard cable diameter is 900 micron with easy strip buffering.
- Ruggedised pigtails can also be supplied in 1.6mm, 2mm and 3mm.

Application

- FTTx
- Telecommunications
- Data communication
- CATV
- Test and measurement



Technical data

Item No.	Singlemode (1310/1550nm)	Multimode (850nm)
Maximum Insertion Loss (dB)	≤ 0.3 Typical 0.2 (UPC and APC)	≤ 0.4 (UPC)
Return Loss (dB)	≥ 55 (UPC), ≥ 65 (APC)	≥ 20 (UPC)
Intermateability	IEC 874-14	IEC 874-14
Connector Durability	200	200
Tensile Load (N)	70	70
Operating temperature	-40°C to + 85°C	-40°C to + 85°C

Ordering Information

Pigtail part numbers are made up using the table below.

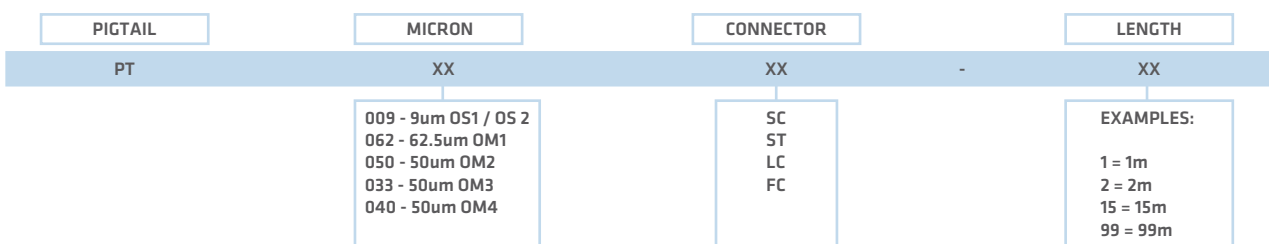
The part number always starts with the letters PT to denote that it is a pigtail. The first 2 digit code denotes the micron, followed by the next 2 letters which represents the connector type. The dash is next, followed by a number to denote the length of the pigtail.

Note: Pigtails must be ordered in 1 metre increments.

Example of a pigtail part number: -

PT009SC-1

The above example describes a pigtail 1 metre in length, with SC connector on one end. It is an OS1/2 (9um) pigtail.



8.5 Optical Adaptors

UCCONNECT® OPTICAL ADAPTORS



Overview

Draka offers an extensive range of optical adaptors for use in FTTx, telecommunications, data communications and CATV applications. All adaptors are fully qualified to Telcordia GR326 and IEC 61300 and all materials used are RoHS compliant.

Adaptors can be supplied in a variety of colours and for a variety of different connector types such as FC, SC, ST, LC, E2000 etc. Further connector types are also available on request.

Features

- Qualified to Telcordia GR326 and IEC 61300 standards and RoHS compliant materials.
- Available for many different connector types such as FC, SC, ST, E2000, MTRJ, LC and others on request.
- All adaptors are supplied with ceramic inserts.
- Supplied in a range of different colours to match connector type. (e.g. blue for PC, green for APC, beige for multimode).
- Both simplex and duplex adaptors are available.

Application

- FTTx
- Telecommunications
- Data communication
- CATV
- Test and measurement

Technical data

Item No.	Singlemode (1310/1550nm)	Multimode (850nm)
Maximum Insertion Loss (dB)	≤ 0.3 Typical 0.2 (UPC and APC)	≤ 0.4 (UPC)
Return Loss (dB)	≥ 55 (UPC), ≥ 65 (APC)	≥ 20 (UPC)
Intermateability	IEC 874-14	IEC 874-14
Operating temperature	-40°C to + 85°C	-40°C to + 85°C

Ordering Information

UC P/N	Product Description	P.U
D540505	FC Adaptor Simplex, Singlemode	1 pc
D550505	FC Adaptor Simplex, Multimode	1 pc
D520606	SC Adaptor, Simplex, Singlemode	1 pc
D530606	SC Adaptor, Simplex, Multimode	1 pc
D520707	SC Adaptor, Duplex Singlemode	1 pc
D530707	SC Adaptor, Duplex Multimode	1 pc
D540101	ST Adaptor, Simplex, Singlemode	1 pc
D550101	ST Adaptor, Simplex, Multimode	1 pc
D521818	LC Adaptor, Simplex, Singlemode	1 pc
D531818	LC Adaptor, Simplex, Multimode	1 pc
D522020	LC Adaptor, Duplex, Singlemode	1 pc
D532020	LC Adaptor, Duplex, Multimode	1 pc

UC^{CONNECT}® UC9400 Light Weight Fibre Suite

8.6 Patch Panels

UC 1U Patch Panel 9450, Drawer type

Features

- Light weight
- Sleek design & feel
- Fluid roller system
- Highly durable
- Abrasion resistance

Construction

Dust Cover	PVC
Matrix	Aluminum Thickness 1.5mm
Adapter Plate & Panel	Aluminum Thickness 1.5mm
Lock	Stainless steel panel screw
Adaptor	Duplex LC, SC,ST,FC
Dimension	1U x 482mm x 310mm
Weight	≤ 2.2 kg - Empty
Surface Finish	Special Powder Coating

+ Standard Panel comes without fibre adapter , front-panel and splice tray.

+ Fits up to 2 nos. 12-24 Fibre Stackable Splice Tray (UCST1224)



Overview

Most widely used premium panels for datacentre applications. The light weight and unique fluid roller properties enable installation ease and smooth termination.

Ordering Information

UC P/N	Product Description	P.U
PP9450	UC 1U Patch Panel 9450, Drawer type	1 pc
PPA9450-SC	UC 1U 12 ports SC duplex front panel for drawer panel	1 pc
PPA9450-ST	UC 1U 24 ports ST front panel for drawer panel	1 pc
PPA9450-FC	UC 1U 24 ports FC front panel for drawer panel	1 pc
PPA9450-LC	UC 1U 24 ports LC duplex front panel for drawer panel	1 pc
PPA9450-MTRJ	UC 1U 24 port MTRJ duplex front plate for drawer panel	1 pc
PPA9450-MTP®	UC 1U 12 port MTP front plate for drawer panel	1 pc
PPA9450-36LC	UC 1U 36 port LC duplex plate for drawer panel	1 pc

8.6 Patch Panels

UC^{CONNECT}® UC9400 Light Weight Fibre Suite

UC 1U Patch Panel 9440, Fixed type

Features

- Light weight
- Sleek design & feel
- Easy fixtures
- Abrasion resistance

Construction

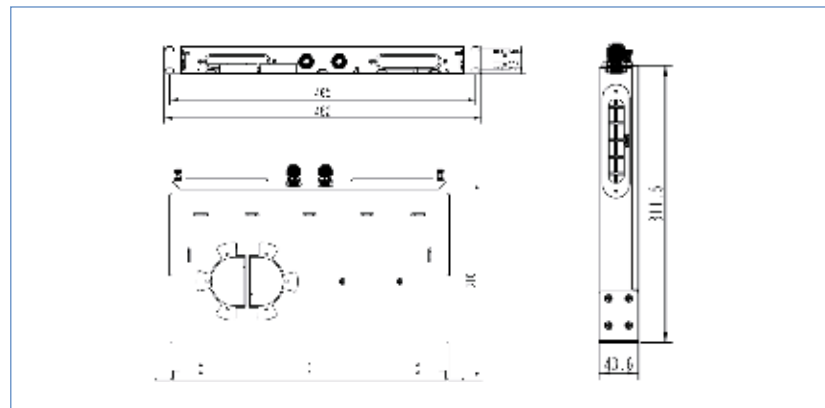
Dust Cover	PVC
Matrix	Aluminum Thickness 1.5mm
Adapter Plate & Panel	Aluminum Thickness 1.5mm
Lock	Screws
Adaptor	Duplex LC, SC,ST,FC
Dimension	1U x 482mm x 310mm
Weight	≤2.1 kg - Empty
Surface Finish	Special Powder Coating

- + Standard Panel comes without fibre adapter , front-panel and splice tray.
- + Fits up to 2 nos. 12-24 Fibre Stackable Splice Tray (UCST1224)

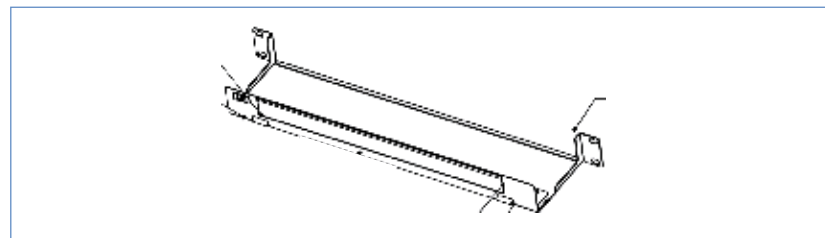


Overview

Most widely used premium panels for datacentre applications. The light weight and easier fixtures enable installation ease and smooth terminations.



1U Cable Management Trough



Ordering Information

UC P/N	Product Description	P.U
PP9440	UC 1U Patch Panel 9440, Fixed type	1 pc
PP9440 CMT	1U Cable Management Trough	1 pc
PPA9440-SC	UC 1U 12 Ports SC Duplex Front Panel for Fixed Panel	1 pc
PPA9440-ST	UC 1U 24 Ports ST Front Panel for Fixed Panel	1 pc
PPA9440-FC	UC 1U 24 Ports FC Front Panel for Fixed Panel	1 pc
PPA9440-LC	UC 1U 24 Ports LC Duplex Front Panel for Fixed Panel	1 pc
PPA9440-36LC	UC 1U 36 Ports LC Duplex Plate for Fixed Panel	1 pc

UC^{CONNECT}® UC9400 Light Weight Fibre Suite

8.6 Patch Panels

UC 1U Distribution Modular Panel, 3 Slot, Empty

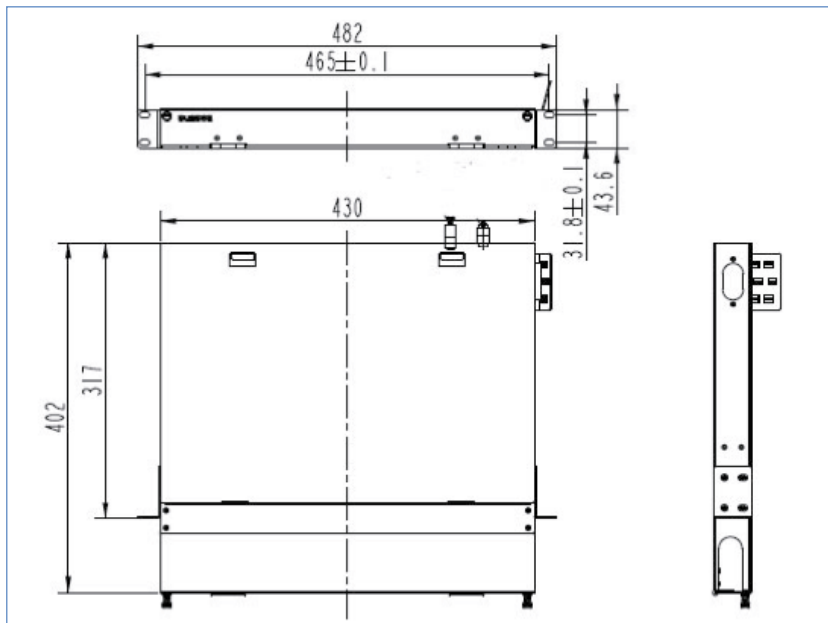
Features

- Light weight
- Sleek design & feel
- Easy fix-up to 3 modules
- Highly durable
- Abrasion resistance
- Up to 72 fibres

Construction

Dust Cover	PVC
Matrix	Aluminum Thickness 1.5mm
Adapter Plate & Panel	Aluminum Thickness 1.5mm
Lock	Stainless steel panel screw
Adaptor	MTP® (rear), Duplex LC (Front) <- When loaded
Dimension	43.6mm x 482mm x 410mm
Weight	≤ 3.5 kg - Empty
Surface Finish	Special Powder Coating

+ Standard Panel comes in empty, unloaded



Overview

- MTP® is a registered MPO connector, Trademark of USCONEC
- Fibre integrated technology for compact storage. Extremely convenient installations using unique modular design.
- Able to accommodate up to 3 UC9400 Light Weight Fibre Suite 12 or 24 Fibre Fixed-Module

Ordering Information

UC P/N	Product Description	P.U
PP9401	UC 1U Distribution Modular Panel, 3 Slot, Empty	1 pc
20K9501	Fixed-Module, MTP®/LC, 12F, 9/125um	2 pc/box
20K9502	Fixed-Module, MTP®/LC, 24F, 9/125um	2 pc/box
20K9503	Fixed-Module, MTP®/LC, 12F, 62.5/125um	2 pc/box
20K9504	Fixed-Module, MTP®/LC, 24F, 62.5/125um	2 pc/box
20K9505	Fixed-Module, MTP®/LC, 12F, 50/125um	2 pc/box
20K9506	Fixed-Module, MTP®/LC, 24F, 50/125um	2 pc/box
20K9509	Fixed-Module, MTP®/LC, 12F, 50/125um, OM3, LZ300	2 pc/box
20K9510	Fixed-Module, MTP®/LC, 24F, 50/125um, OM3, LZ300	2 pc/box

8.6 Patch Panels



Overview

The light weight and easier fixtures enable installation ease and smooth terminations.

Able to accommodate up to 48 fibre LC Duplex or SC Simplex

UC^{CONNECT} UC9400 Light Weight Fibre Suite

UC 2U Patch Panel 9441, Fixed type

Features

- Light weight
- Sleek design & feel
- Easy fixture
- Abrasion resistance

Construction

Dust Cover	PVC
Matrix	Aluminum Thickness 1.5mm
Adapter Plate & Panel	Aluminum Thickness 1.5mm
Lock	Latch Lock
Adaptor	Duplex LC, SC,ST,FC
Dimension	2U x 482mm x 405mm
Weight	≤ 4.8 kg - Empty
Surface Finish	Special Powder Coating

- + Standard Panel comes without fibre adapter , front-panel and splice tray.
- + Fits up to 4 nos. 12-24 Fibre Stackable Splice Tray (UCST1224)

Ordering Information

UC P/N	Product Description	P.U
PP9441	UC 2U Patch Panel 9441, Fixed type	1 pc
PPA9441-SC	UC 2U 48 Ports SC Duplex Front Panel for Fixed Panel	1 pc
PPA9441-ST	UC 2U 48 Ports ST Front Panel for Fixed Panel	1 pc
PPA9441-FC	UC 2U 48 Ports FC Front Panel for Fixed Panel	1 pc
PPA9441-LC	UC 2U 48 Ports LC Duplex Front Panel for Fixed Panel	1 pc

UC^{CONNECT}® UC9400 Light Weight Fibre Suite

8.6 Patch Panels

UC 4U Distribution Modular Box,12 Slot,Empty

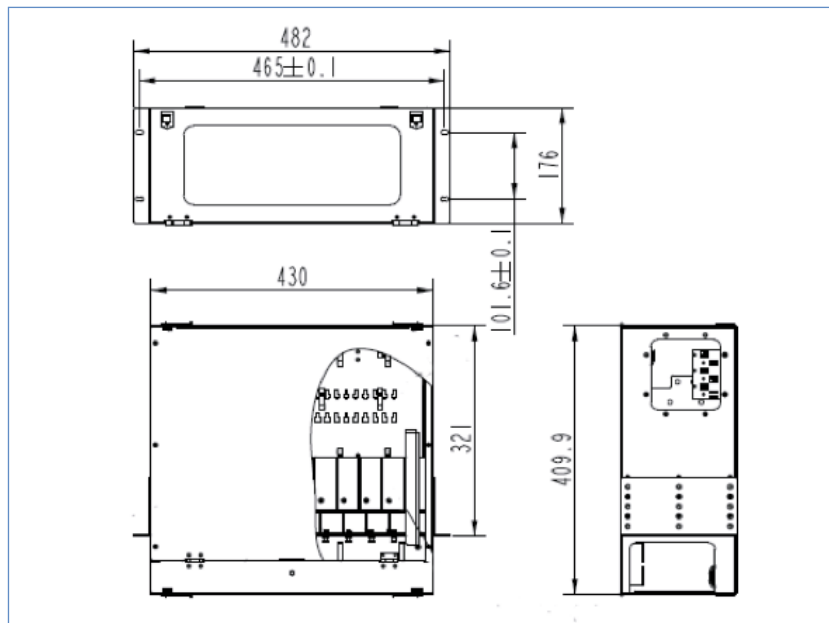
Features

- Light weight
- Sleek design & feel
- Highly durable
- Abrasion resistance
- Compact & High Density
- Up to 288 fibres

Construction

Dust Cover	PVC
Matrix	Aluminum Thickness 1.5mm
Panel	Aluminum
Lock	Latch Lock
Adaptor	MTP® (rear), Duplex LC (front)
Dimension	4U x 482mm x 410mm
Weight	≤4.8 kg - Empty
Surface Finish	Special Powder Coating

+ Standard Panel comes in empty, unloaded



Overview

- MTP® is a registered MPO connector, Trademark of USCONEC
- Fibre Integrated Solutions provide high density optical cabling terminations, and easy installation design for fingers access, without the use of additional tools.
- Able to accommodate up to 12 UC9400 Light Weight Fibre Suite 12 or 24 Fibre Fixed-Module

Ordering Information

UC P/N	Product Description	P.U
PP9400	UC 4U Distribution Modular Box,12 Slot,Empty	1 pc
20K9501	Fixed-Module,MTP®/LC,12F,9/125um	2 pc/box
20K9502	Fixed-Module,MTP®/LC,24F,9/125um	2 pc/box
20K9503	Fixed-Module,MTP®/LC,12F,62.5/125um	2 pc/box
20K9504	Fixed-Module,MTP®/LC,24F,62.5/125um	2 pc/box
20K9505	Fixed-Module,MTP®/LC,12F,50/125um	2 pc/box
20K9506	Fixed-Module,MTP®/LC,24F,50/125um	2 pc/box
20K9509	Fixed-Module,MTP®/LC,12F,50/125um,OM3,LZ300	2 pc/box
20K9510	Fixed-Module,MTP®/LC,24F,50/125um,OM3,LZ300	2 pc/box

8.6 Patch Panels



Standards

- IEC60297-3-2010
Dimension of mechanical structure of 19 inches series
- IEC24764-2010
Generic Cabling Systems for Data Centres

UC^{CONNECT} UC9500 High Density Fibre Suite

UC9500 1U Distribution Panel 4 Slot Empty

Features

- Supported adaptor includes LC, SC, FC, ST, MPO, MTP®
- Mount to standard EIA 19" rack rails
- Removable top cover provides access to connections, fibers, and slack storage in rear of tray
- Multiple trunk cable entry locations provided on rear and sides of enclosure
- Include fiber optic cable routing kit for cable management
- One Distribution panel able accepts both conventional 1-2 fibre applications as well as 12-24 fibre MPO/MTP® applications.

Application

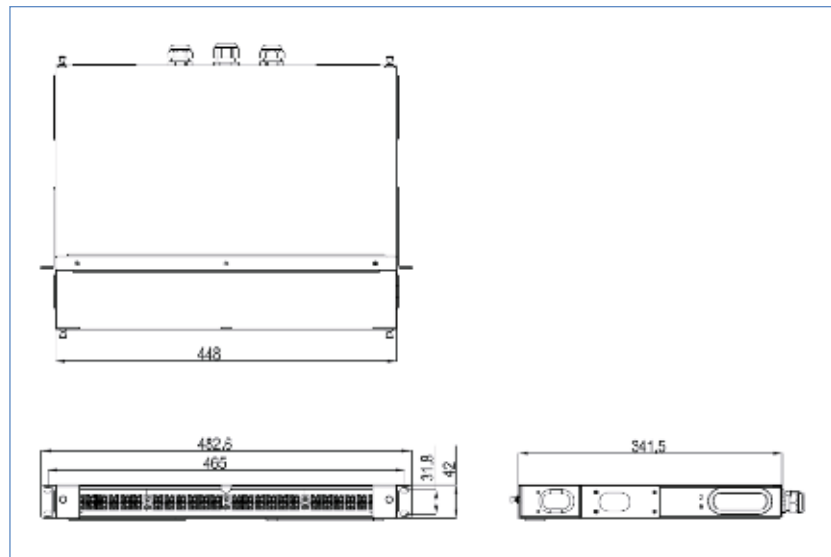
UC9500 1U Distribution Panel 4-Slot Empty, Fixed is engineered to support both UC9500 simplex/duplex LC/ SC/ ST/FC front panels and MPO/MTP® modules. This unique design allows one footprint to accept 1, 2, 12 and 24 fibre applications.

Construction

Material	Details
Matrix	Steel 1.0mm thickness
Lock	Push-Pull Rivet Black
Cable routing kit	ABS Black
Dimension	1U x 465mm x 341.5mm
Weight	3kg - Empty
Surface Finish	Stain Resistant Coating

+ Standard Panel comes without fibre adapter, front-panel and splice tray.

+ Fits up to 2 nos. UC9500 Splice Tray 24F (PPST9521-24) and 1 no. UC9500 Splice Tray Cover (PPST9521-C)



Ordering Information

UC P/N	Product Description	P.U
PP9500	UC9500 1U Distribution Panel 4 Slot Empty	1 pc

UC^{CONNECT}® UC9500 High Density Fibre Suite

8.7 Patch Panel Accessories

UC9500 1-Slot Blank Front-Panel

Features

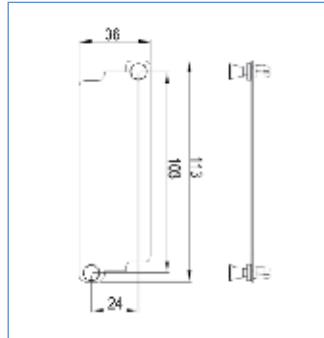
- Left and right push-pull rivet
- Light weight
- Easy and fast adds, moves and changes
- Easy handling

Application

UC9500 1-Slot Blank Front-Panel covers up unused slots of UC9500 Distribution Panel 4-Slot Empty Fixed to block out harmful elements such as water droplets and dust particles.

Construction

Material	Details
Plate material	Steel
Overall Weight	Nom 15 gram



UC9500 1-Slot Blank Front-Panel

UC9500 1-Slot 6-Port SC-Duplex Front-Panel

Features

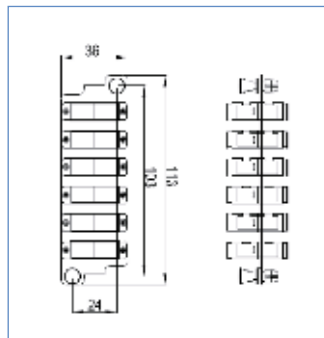
- Left and right push-pull rivet
- Supported adaptor
- Light weight
- Easy and fast adds, moves and changes
- Up to 6 SC-Duplex multimode or singlemode adaptors
- Easy handling

Application

UC9500 1-Slot 6-Port SC-Duplex Front-Panel fits into 1 slot of UC9500 Distribution Panel 4-Slot Empty Fixed and accepts SC-Duplex adaptors.

Construction

Material	Details
Plate material	Steel
Overall Weight	12 gram



UC9500 1-Slot 6-Port SC-Duplex Front-Panel

UC9500 1-Slot 6-Port FC-Simplex Front Panel

Features

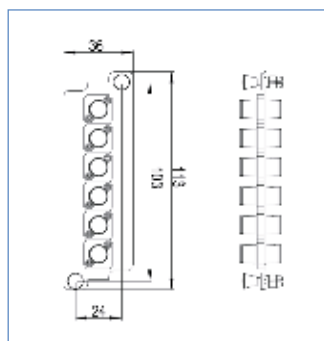
- Left and right push-pull rivet
- Supported adaptor
- Light weight
- Easy and fast adds, moves and changes
- Up to 6 SC-Duplex multimode or singlemode adaptors
- Easy handling

Application

UC9500 1-Slot 6-Port FC-Simplex Front Panel fits into 1 slot of UC9500 Distribution Panel 4-Slot Empty Fixed and accepts FC-Simplex adaptors.

Construction

Material	Details
Plate material	Steel
Overall Weight	12 gram



UC9500 1-Slot 6-Port FC-Simplex Front Panel

Ordering Information

UC P/N	Product Description	P.U
PPA9515-0	UC9500 1 Slot Blank Front Panel	8pc/pack
PPA9511-6	UC9500 1 Slot 6Port SC Duplex Front	8pc/pack
PPA9512-6	UC9500 1 Slot 6Port ST Simplex Front	8pc/pack

8.7 Patch Panel Accessories

UC^{CONNECT}® UC9500 High Density Fibre Suite

UC9500 1-Slot 6-Port ST Simplex Front-Panel

Features

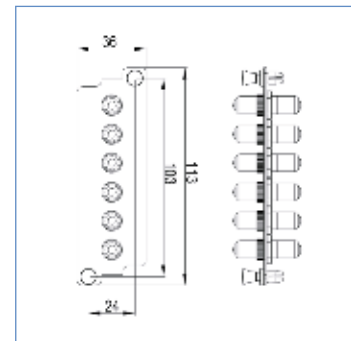
- Left and right push-pull rivet
- Supported adaptor
- Light weight
- Easy and fast adds, moves and changes
- Up to 6 Simplex ST multimode or singlemode adaptors
- Easy handling

Application

UC9500 1-Slot 6-Port ST Simplex Front-Panel fits into 1 slot of UC9500 Distribution Panel 4-Slot Empty Fixed and accepts simplex ST adaptors.

Construction

Material	Details
Plate material	Steel
Overall Weight	12 gram



UC9500 1-Slot 6-Port ST Simplex Front-Panel

UC9500 1-Slot 6-Port LC-Duplex/SC-Simplex Front-Panel

Features

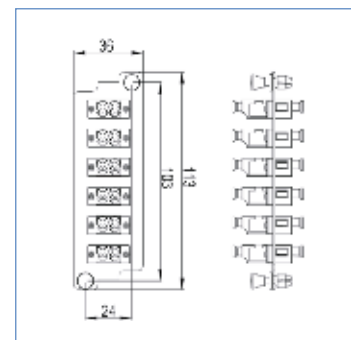
- Left and right push-pull rivet
- Supported adaptor
- Light weight
- Easy and fast adds, moves and changes
- Up to 6 LC-Duplex or 6 SC-Simplex ; multimode or singlemode adaptors
- Easy handling

Application

UC9500 1-Slot 6-Port LC-Duplex/SC-Simplex Front-Panel fits into 1 slot of UC9500 Distribution Panel 4-Slot Empty Fixed and accepts both LC-Duplex and SC-Simplex adaptors.

Construction

Material	Details
Plate material	Steel
Overall Weight	12 gram



UC9500 1-Slot 6-Port LC-Duplex/SC-Simplex Front-Panel

Ordering Information

UC P/N	Product Description	P.U
PPA9513-6	UC9500 1 Slot 6Port FC Simplex Front Panel	8pc/pack
PPA9514-6	UC9500 1 Slot 6Port LC Duplex / SC Simplex Front Panel	8pc/pack

UC^{CONNECT}® UC9500 High Density Fibre Suite

8.7 Patch Panel Accessories

UC9500 Module MTP®/MPO

Features

- Installed with Draka BendBright®-XS bend-insensitive fiber
- Installation is simple, with the module being easily installed, or removed, using “push-pull mechanism”; no tools required.
- Available in 6 Duplex LC (front) to 1 Female MPO (rear), 12 Duplex LC (front) to 2 Female MPO (rear), and 6 Duplex SC (front) to 1 Female MPO (rear). USCONEC MTP® available upon request.
- Factory terminated and tested fibre connectors allows highly consistent quality and guaranteed standard compliance.
- Tested per IEEE 802.3ae to support 10Gb/s network data rates and ANSI T11.2 Fibre Channel for up to 16 Gb/s data rates.
- Maximum Insertion Loss per channel : 0.75 dB ; ensures system meets IEEE 802.3ae maximum channel loss specification.
- Minimum Return Loss per channel : 30 dB (OM3 / OM4 / Singlemode G657.A2)
- Adaptor colour as specified by TIA/EIA-568-C.3

Application

UC9500 Module MPO/MTP® LC-Duplex is designed specifically to fit UC9500 1U Distribution Panel 4-Slot Empty Fixed. Design and engineered to reduce total cost of ownership when deployed with 12-Fibre MPO-MPO , or 12-Fibre MTP-MTP, fibre trunks. This module supports the popular 2-fibre 10Gb up to the next generation 25Gb/40Gb/100Gb/400Gb applications. MTP® is a registered 12-fibre MPO connector, trademark of USCONEC.

Construction

Module Housing Material	Steel, Thickness 1.0mm
Module Housing Surface Finish	Fingerprint and dust resistant
Module Housing Colour	Black
LC-Duplex Adaptor Colour	OM3 : AQUA ; OM4 : VIOLET ; Singlemode : BLUE
LC Adaptor Split Sleeve Material	Ceramic

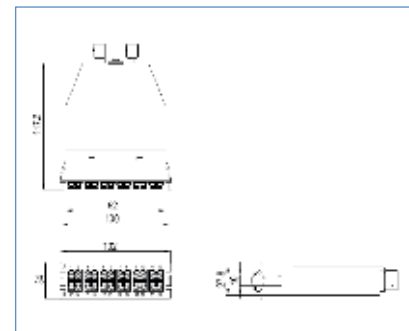
+ Standard Panel comes in empty, unloaded

Environmental

Operating Temperature	-20°C to + 70°C
Storage and shipping temperature	-40°C to + 75°C

Ordering Information

UC P/N	Product Description	P.U
PPMT9541-12	UC9500 Module MTP®-LC 12F 9/125um	1pc
PPMP9541-12	UC9500 Module MPO-LC 12F 9/125um	1pc
PPMT9542-24	UC9500 Module MTP®-LC 24F 9/125um	1pc
PPMP9542-24	UC9500 Module MPO-LC 24F 9/125um	1pc
PPMT9543-12	UC9500 Module MTP®-SC 12F 9/125um	1pc
PPMP9543-12	UC9500 Module MPO-SC 12F 9/125um	1pc
PPMT9551-12	UC9500 Module MTP®-LC 12F 50/125um	1pc
PPMP9551-12	UC9500 Module MPO-LC 12F 50/125um	1pc
PPMT9552-24	UC9500 Module MTP®-LC 24F 50/125um	1pc
PPMP9552-24	UC9500 Module MPO-LC 24F 50/125um	1pc
PPMT9553-12	UC9500 Module MTP®-SC 12F 50/125um	1pc
PPMP9553-12	UC9500 Module MPO-SC 12F 50/125um	1pc
PPMT9561-12	UC9500 Module MTP®-LC 12F 50/125um	1pc
PPMP9561-12	UC9500 Module MPO-LC 12F 50/125um	1pc
PPMT9562-24	UC9500 Module MTP®-LC 24F 50/125um	1pc
PPMP9562-24	UC9500 Module MPO-LC 24F 50/125um	1pc
PPMT9563-12	UC9500 Module MTP®-SC 12F 50/125um	1pc
PPMP9563-12	UC9500 Module MPO-SC 12F 50/125um	1pc



8.7 Patch Panel Accessories

UC^{CONNECT}® UC9400 Light Weight Fibre Suite

12 or 24 Fibres, Fixed-Module

Features

- Light weight
- Sleek, easy to fit
- Low loss MTP® connectors
- Bend insensitive Bendbright^{X5} fibres

Construction

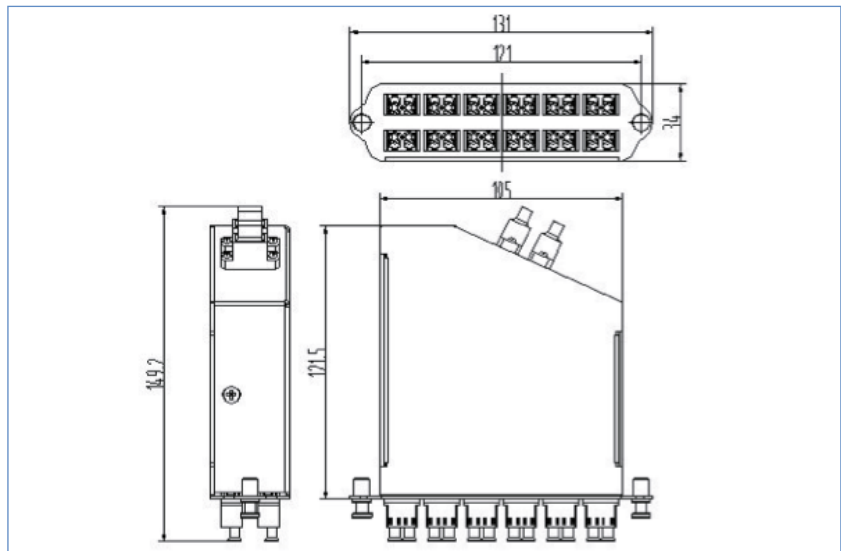
Matrix	Aluminum Thickness 1.5mm
Dimension	34mm x 131mm x 121mm
Adaptor	MTP® (Rear Side), Duplex LC (Front Side)
Weight	≤150g
Surface Finish	Black

+ Standard Panel comes in empty, unloaded



Overview

- MTP® is a registered MPO connector, Trademark of US CONEC
- Designed with the installers' mind for easy and compact patching, idea fit for our patch panels series.
- These MTP® modules are equipped with Draka's unique bend insensitive Bendbright^{X5} fibres.



Ordering Information

UC P/N	Product Description	P.U
20K9501	Fixed-Module,MTP®/LC,12F,9/125um	2 pc/box
20K9502	Fixed-Module,MTP®/LC,24F,9/125um	2 pc/box
20K9503	Fixed-Module,MTP®/LC,12F,62.5/125um	2 pc/box
20K9504	Fixed-Module,MTP®/LC,24F,62.5/125um	2 pc/box
20K9505	Fixed-Module,MTP®/LC,12F,50/125um	2 pc/box
20K9506	Fixed-Module,MTP®/LC,24F,50/125um	2 pc/box
20K9509	Fixed-Module,MTP®/LC,12F,50/125um,OM3,LZ300	2 pc/box
20K9510	Fixed-Module,MTP®/LC,24F,50/125um,OM3,LZ300	2 pc/box
20K9521	Fixed-Module,MTP®/ST,12F,9/125um	2 pc/box
20K9522	Fixed-Module,MTP®/ST,12F,62.5/125um	2 pc/box
20K9523	Fixed-Module,MTP®/ST,12F,50/125um	2 pc/box
20K9525	Fixed-Module,MTP®/ST,12F,50/125um,OM3,LZ300	2 pc/box
20K9531	Fixed-Module,MTP®/SC,12F,9/125um	2 pc/box
20K9532	Fixed-Module,MTP®/SC,12F,62.5/125um	2 pc/box
20K9533	Fixed-Module,MTP®/SC,12F,50/125um	2 pc/box
20K9535	Fixed-Module,MTP®/SC,12F,50/125um,OM3,LZ300	2 pc/box
20K9581	Fixed-Module,MTP®/FC,12F,9/125um	2 pc/box
20K9582	Fixed-Module,MTP®/FC,12F,62.5/125um	2 pc/box
20K9583	Fixed-Module,MTP®/FC,12F,50/125um	2 pc/box
20K9585	Fixed-Module,MTP®/FC,12F,50/125um,OM3,LZ300	2 pc/box

UC^{CONNECT}® UC9500 High Density Fibre Suite

8.7 Patch Panel Accessories

UC9500 Splice Tray Cover

Features

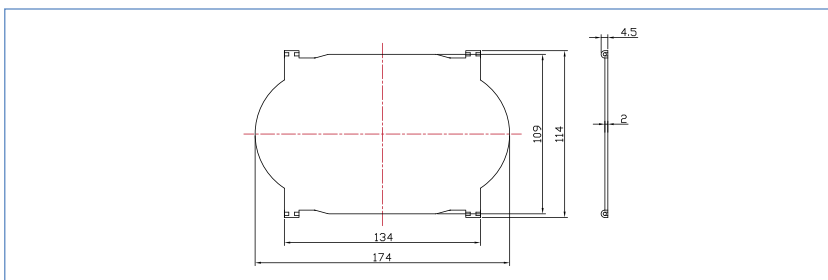
- Light weight for easy handling
- High quality fingerprint and dust resistant surfaces
- It is compatible with stackable UC9500 Splice Tray ; its detachable to fit onto top of a splice tray stack.

Application

UC9500 Splice Tray Cover keeps the fusion splices away from accidental stress-strain, water droplets and dust particles.

Technical Information

Material	Details
Cover material	ABS
Colour	Black



UC9500 Splice Tray Cover

UC9500 24-Fibre Splice Tray (Cover-less)

Features

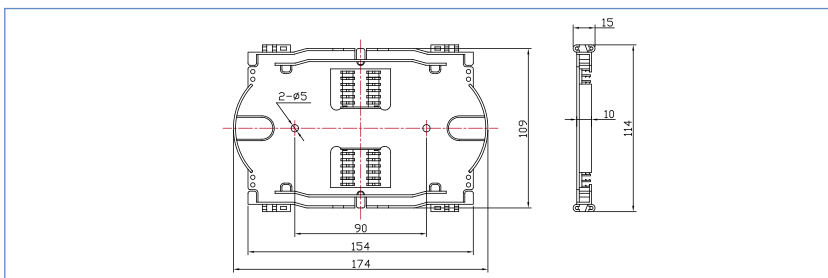
- Stackable with detachable cover.
- Light weight.
- Highly durable.
- Support up to 24 multimode and singlemode fusion splices.

Application

UC9500 24-Fibre Splice Tray is a fusion splice enclosure, providing critical protection for fusion splices and is compatible with UC9500 1U Distribution Panel 4- Slot Empty Fixed.

Technical Information

Material	Details
Cover material	ABS
Colour	Black
Weight	< 90 gram
Surface finish	Resistant to fingerprint and dust



UC9500 24-Fibre Splice Tray (Cover-less)

Ordering Information

UC P/N	Product Description	P.U
PPST9521-C	UC9500 Splice Tray Cover	1pc
PPST9521-24	UC9500 Splice Tray 24F	2pc/box

8.7 Patch Panel Accessories

UC^{CONNECT}® UC9400 Light Weight Fibre Suite

12-24 Fibre stackable Splice Tray

Features

- Light weight
- Highly durable
- Stackable for compactness

Construction

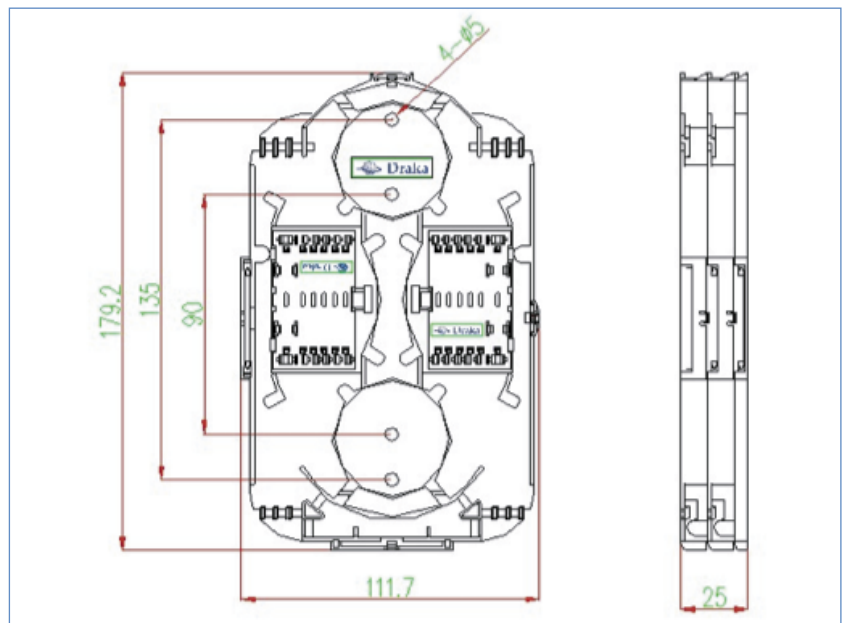
Dust Cover	Plastic
Dimension	180mm X 112mm X 25mm
Weight	≤ 80 grams
Surface Finish	Black

+ Standard Panel comes in empty, unloaded



Overview

Fibre Integrated Solutions provide high density optical cabling terminations, and easy installation design for fingers access, without the use of additional tools.



Ordering Information

UC P/N	Product Description	P.U
UCST1224	12-24 Fibres stackable Splice Tray	1 pc

Services and related documents

Certified engineers enjoy full vendor support before, during and after completion of their projects.

Before

Already before your project commences – we are there to train you on all features of Draka UC cabling system. If you are an experienced professional or still improving your engineering skills – it offers you the right mix of theory and practice to get you going better. Take advantage of a world leading manufacturer's resources.

During

If your project is fully running and you face an issue – trust in our experienced in-field support. You will not be alone if there are questions about testing, standards or installation practices. If there is uncertainty about your specification, we are there to give you support.

After

Needless to say – the 3rd party approved Draka solutions are entirely covered by an end-to-end system warranty. Please contact our local offices to enquire about the Draka UC Structure Cabling System Warranty Program.



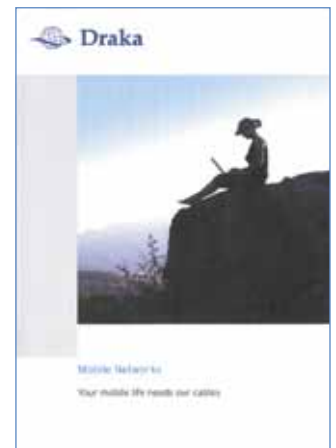
Draka UC Structured Cabling Warranty



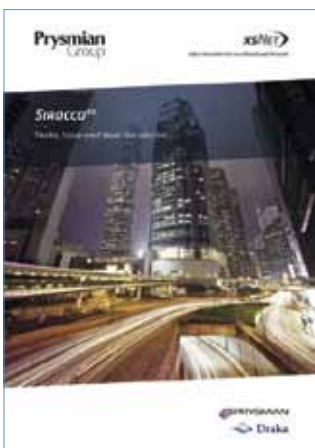
UC CONNECT[®] 3rd party approvals



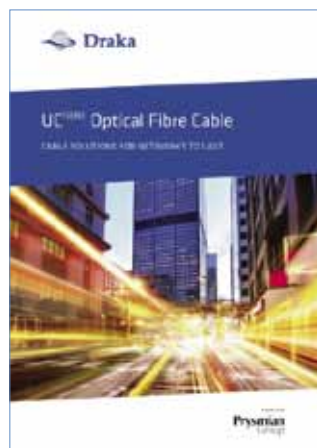
Multimedia Specials



Mobile Networks



Sirocco Blown Fibre System



UC FIBRE[®] Optical Fibre Cable



UC Data[®] Cable

We make communication technology work,
by serving you in every way to realize your
leading edge network solution

SINGAPORE (ASIA PACIFIC)

No 20. Jurong Port Road,
Jurong Town
SINGAPORE 619094
Tel +65 6898 3633 Fax: +65 6265 2226

MALAYSIA

Suite 1201-3, Level 12, Tower 2,
Kelana Brem Towers,
Jalan SS7/15 Off Jalan Stadium,
Kelana Jaya, 47301 Petaling Jaya,
MALAYSIA
Tel +60 3 7803 7171 FAX +60 3 7803 7575

INDONESIA

Perkantoran Hijau Arkadia, Tower F,
7th Floor Suite 701
Jl. T.B. Simatupang Kav. 88, Jakarta 12520
INDONESIA
Tel +62 21 7816515 Fax +62 21 7816504

VIETNAM

9th Floor, Central Park Building,
208 Nguyen Trai Street, Dist 1, HCM,
VIETNAM
Tel +84 8 392 60581 Fax +84 8 392 60580

THAILAND

2170 Bangkok Tower, New Petchburi Rd,
Huaykhwang, Bangkok, Bangkok 10310
THAILAND
Tel +662 3080 830 Fax +662 6080 054

UNITED KINGDOM

Chickenhall Lane,
Eastleigh,
Hampshire, SO50 6YU
England
Email: uc-connect@prysmiangroup.com
Tel +44 23 8029 5555 Fax: +44 23 8060 8769

TURKEY

Haktan Is Merkezi No:39 Kat 2
setustu Kabatas
34427 Istanbul
Email: tpks@prysmiangroup.com
Tel +90 212 393 7700 Fax: +90 212 393 7762

Visit www.DrakaUC.com for more information on our Multimedia Solutions products portfolio.

Email: mms.asia@prysmiangroup.com for further enquiries, or contact our local offices.

